



**AIRNET**

***Product Catalog***

[www.airnet-system.com](http://www.airnet-system.com)

***fast / easy / reliable***

## Aluminium pipe for inert gases (5,7 m / 18,7 ft)



| PARTNUMBER   | AIRNET Ø<br>(MM / INCH) | LOT SIZE |
|--------------|-------------------------|----------|
| 2811 1061 05 | 20 / ¾"                 | 05       |
| 2811 2061 05 | 25 / 1"                 | 05       |

## Aluminium pipe for air (2,85 m / 9,4 ft)



| PARTNUMBER   | AIRNET Ø<br>(MM / INCH) | LOT SIZE |
|--------------|-------------------------|----------|
| 2811 1063 10 | 20 / ¾"                 | 10       |
| 2811 2063 10 | 25 / 1"                 | 10       |
| 2811 4063 05 | 40 / 1½"                | 05       |
| 2811 5063 04 | 50 / 2"                 | 04       |
| 2810 6663 03 | 63 / 2½"                | 03       |
| 2810 7763 02 | 80 / 3"                 | 02       |

## S-bend



| PARTNUMBER   | AIRNET Ø<br>(MM / INCH) | LOT SIZE |
|--------------|-------------------------|----------|
| 2810 1001 05 | 20 / ¾"                 | 05       |
| 2810 2001 05 | 25 / 1"                 | 05       |

## Aluminium pipe for air (5,7 m / 18,7 ft)



| PARTNUMBER   | AIRNET Ø<br>(MM / INCH) | LOT SIZE |
|--------------|-------------------------|----------|
| 2811 1000 10 | 20 / ¾"                 | 10       |
| 2811 2000 10 | 25 / 1"                 | 10       |
| 2811 4000 05 | 40 / 1½"                | 05       |
| 2811 5000 04 | 50 / 2"                 | 04       |
| 2810 6600 03 | 63 / 2½"                | 03       |
| 2810 7700 02 | 80 / 3"                 | 02       |
| 2811 8000 00 | 100 / 4"                | 01       |
| 2811 9000 06 | 158 / 6"                | 06       |

## Aluminium pipe for air (6 m / 20 ft)

| PARTNUMBER   | AIRNET Ø<br>(MM / INCH) | LOT SIZE |
|--------------|-------------------------|----------|
| 2810 1000 10 | 20 / ¾"                 | 10.00    |
| 2810 5000 04 | 50 / 2"                 | 04       |
| 2810 6000 03 | 63 / 2½"                | 03       |

## Aluminium pipe for inert gases (6 m / 20 ft)

| PARTNUMBER   | AIRNET Ø<br>(MM / INCH) | LOT SIZE |
|--------------|-------------------------|----------|
| 2810 1061 05 | 20 / ¾"                 | 05       |
| 2810 2061 05 | 25 / 1"                 | 05       |

## Aluminium pipe for air (3 m / 10 ft)

| PARTNUMBER   | AIRNET Ø<br>(MM / INCH) | LOT SIZE |
|--------------|-------------------------|----------|
| 2810 4063 05 | 40 / 1½"                | 05       |
| 2810 6063 04 | 63 / 2½"                | 04       |
| 2810 7063 04 | 80 / 3"                 | 04       |



## STRAIGHT CONNECTION Reducing Socket



| PARTNUMBER   | AIRNET Ø<br>(MM / INCH) | REDUCED AIRNET Ø<br>(MM / INCH) | LOT SIZE |
|--------------|-------------------------|---------------------------------|----------|
| 2810 7621 00 | 80 / 3"                 | 63 / 2½"                        | 01       |
| 2810 8721 00 | 100 / 4"                | 80 / 3"                         | 01       |
| 2810 9821 00 | 158 / 6"                | 4 / 100"                        | 01       |

## STRAIGHT CONNECTION Equal Socket



| PARTNUMBER   | AIRNET Ø<br>(MM / INCH) | LOT SIZE |
|--------------|-------------------------|----------|
| 2810 6002 00 | 63 / 2½"                | 01       |
| 2810 7002 00 | 80 / 3"                 | 01       |
| 2810 8002 00 | 100 / 4"                | 01       |
| 2810 8102 00 | 100 / 4"                | 01       |
| 2810 9002 00 | 158 / 6"                | 01       |

**STRAIGHT CONNECTION**  
**Equal Socket PF Series**



| PARTNUMBER   | AIRNET Ø<br>(MM / INCH) | LOT SIZE |
|--------------|-------------------------|----------|
| 2811 1002 80 | 20 / ¾"                 | 01       |
| 2811 2002 80 | 25 / 1"                 | 01       |
| 2811 4002 80 | 40 / 1½"                | 01       |
| 2811 5002 80 | 50 / 2"                 | 01       |

## STRAIGHT CONNECTION

### Reducing Socket PF Series



| PARTNUMBER   | AIRNET Ø<br>(MM / INCH) | REDUCED THREAD OUTLET Ø<br>(MM / INCH) | LOT SIZE |
|--------------|-------------------------|--|----------|
| 2811 2121 80 | 25 / 1"                 | 20 / ¾"                                | 01       |
| 2811 4221 80 | 40 / 1½"                | 25 / 1"                                | 01       |
| 2811 5421 80 | 50 / 2½"                | 40 / 2"                                | 01       |
| 2811 6521 80 | 63 / 2"                 | 50 / 1½"                               | 01       |

## ELBOW

### 90° Elbow



| PARTNUMBER   | AIRNET Ø<br>(MM / INCH) | LOT SIZE |
|--------------|-------------------------|----------|
| 2810 6003 00 | 63 / 2½"                | 01       |
| 2810 7003 00 | 80 / 3"                 | 01       |
| 2810 8003 00 | 100 / 4"                | 01       |
| 2810 9003 00 | 158 / 6"                | 01       |

## ELBOW 45° Elbow



| PARTNUMBER   | AIRNET Ø<br>(MM / INCH) | LOT SIZE |
|--------------|-------------------------|----------|
| 2810 6004 00 | 63 / 2½"                | 01       |
| 2810 7004 00 | 80 / 3"                 | 01       |
| 2810 8004 00 | 100 / 4"                | 01       |
| 2810 9004 00 | 158 / 6"                | 01       |

## ELBOW

### 90° Elbow PF Series



| PARTNUMBER   | AIRNET Ø<br>(MM / INCH) | LOT SIZE |
|--------------|-------------------------|----------|
| 2811 1003 80 | 20 / ¾"                 | 01       |
| 2811 2003 80 | 25 / 1"                 | 01       |
| 2811 4003 80 | 40 / 1½"                | 01       |
| 2811 5003 80 | 50 / 2"                 | 01       |

## ELBOW

### 45° Elbow PF Series



| PARTNUMBER   | AIRNET Ø<br>(MM / INCH) | LOT SIZE |
|--------------|-------------------------|----------|
| 2811 1004 80 | 20 / ¾"                 | 01       |
| 2811 2004 80 | 25 / 1"                 | 01       |
| 2811 4004 80 | 40 / 1½"                | 01       |
| 2811 5004 80 | 50 / 2"                 | 01       |



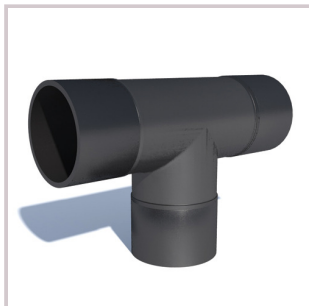
## TEE

### Threaded Reducing Tee (ISO 228)



| PARTNUMBER   | AIRNET Ø<br>(MM / INCH) | REDUCED THREAD OUTLET Ø<br>(MM / INCH) | LOT SIZE |
|--------------|-------------------------|--|----------|
| 2810 6508 00 | 63 / 2½"                | 50 / 2"                                | 01       |
| 2810 7608 00 | 80 / 3"                 | 63 / 2½"                               | 01       |
| 2810 7708 00 | 80 / 3"                 | 80 / 3"                                | 01       |
| 2810 8208 00 | 100 / 4"                | 25 / 1"                                | 01       |
| 2810 9208 00 | 158 / 6"                | 25 / 1"                                | 01       |

**TEE**  
Equal Tee



| PARTNUMBER   | AIRNET Ø<br>(MM / INCH) | LOT SIZE |
|--------------|-------------------------|----------|
| 2810 6005 00 | 63 / 2½"                | 01       |
| 2810 7005 00 | 80 / 3"                 | 01       |
| 2810 8005 00 | 100 / 4"                | 01       |
| 2810 9005 00 | 158 / 6"                | 01       |

## TEE Reducing Tee



| PARTNUMBER   | AIRNET Ø<br>(MM / INCH) | REDUCED THREAD OUTLET Ø<br>(MM / INCH) | LOT SIZE |
|--------------|-------------------------|--|----------|
| 2810 7607 00 | 80 / 3"                 | 63 / 2½"                               | 01       |
| 2810 8507 00 | 100 / 4"                | 50 / 2"                                | 01       |
| 2810 8607 00 | 100 / 4"                | 63 / 2½"                               | 01       |
| 2810 8707 00 | 100 / 4"                | 80 / 3"                                | 01       |
| 2810 9707 00 | 158 / 6"                | 80 / 3"                                | 01       |
| 2810 9807 00 | 158 / 6"                | 100 / 4"                               | 01       |

## TEE

### Threaded Reducing Tee (NPT)



| PARTNUMBER   | AIRNET Ø<br>(MM / INCH) | REDUCED THREAD OUTLET Ø<br>(MM / INCH) | LOT SIZE |
|--------------|-------------------------|--|----------|
| 2810 6509 00 | 63 / 2½"                | 50 / 2"                                | 01       |
| 2810 7609 00 | 80 / 3"                 | 63 / 2½"                               | 01       |
| 2810 7709 00 | 80 / 3"                 | 80 / 3"                                | 01       |
| 2810 8209 00 | 100 / 4"                | 25 / 1"                                | 01       |
| 2810 9209 00 | 158 / 6"                | 25 / 1"                                | 01       |

## TEE

### Equal Tee PF Series



| PARTNUMBER   | AIRNET Ø<br>(MM / INCH) | LOT SIZE |
|--------------|-------------------------|----------|
| 2811 1005 80 | 20 / ¾"                 | 01       |
| 2811 2005 80 | 25 / 1"                 | 01       |
| 2811 4005 80 | 40 / 1½"                | 01       |
| 2811 5005 80 | 50 / 2"                 | 01       |

## TEE

### Reducing Tee PF Series



| PARTNUMBER   | AIRNET Ø<br>(MM / INCH) | REDUCED THREAD OUTLET Ø<br>(MM / INCH) | LOT SIZE |
|--------------|-------------------------|--|----------|
| 2811 2107 80 | 25 / 1"                 | 20 / ¾"                                | 01       |
| 2811 4107 80 | 40 / 1½"                | 20 / ¾"                                | 01       |
| 2811 4207 80 | 40 / 1½"                | 25 / 1"                                | 01       |
| 2811 5107 80 | 50 / 2"                 | 20 / ¾"                                | 01       |
| 2811 5207 80 | 50 / 2"                 | 25 / 1"                                | 01       |
| 2811 5407 80 | 50 / 2"                 | 40 / 1½"                               | 01       |
| 2811 6507 80 | 63 / 2½"                | 50 / 2"                                | 01       |

## TEE

### Threaded Reducing Tee PF Series (ISO 228)



| PARTNUMBER   | AIRNET Ø<br>(MM / INCH) | REDUCED THREAD OUTLET Ø<br>(MM / INCH) | LOT SIZE |
|--------------|-------------------------|--|----------|
| 2811 0008 80 | 20 / ¾"                 | 10 / "                                 | 01       |
| 2811 1008 80 | 20 / ¾"                 | 12.5 / ½"                              | 01       |
| 2811 2008 80 | 25 / 1"                 | 12.5 / ½"                              | 01       |
| 2811 2108 80 | 25 / 1"                 | 20 / ¾"                                | 01       |
| 2811 4208 80 | 40 / 2"                 | 25 / 1"                                | 01       |
| 2811 5208 80 | 50 / 1½"                | 25 / 1"                                | 01       |

## TEE

### Threaded Reducing Tee PF Series (NPT)



| PARTNUMBER   | AIRNET Ø<br>(MM / INCH) | REDUCED THREAD OUTLET Ø<br>(MM / INCH) | LOT SIZE |
|--------------|-------------------------|--|----------|
| 2811 0009 80 | 20 / ¾"                 | 10 / "                                 | 01       |
| 2811 1009 80 | 20 / ¾"                 | 12.5 / ½"                              | 01       |
| 2811 2009 80 | 25 / 1"                 | 12.5 / ½"                              | 01       |
| 2811 2109 80 | 25 / 1"                 | 20 / ¾"                                | 01       |
| 2811 4209 80 | 40 / 1½"                | 25 / 1"                                | 01       |
| 2811 5209 80 | 50 / 2"                 | 25 / 1"                                | 01       |



**VALVES**

## Threaded valve (ISO 228 thread)



| PARTNUMBER   | AIRNET Ø<br>(MM / INCH) | LOT SIZE |
|--------------|-------------------------|----------|
| 2810 6652 00 | 63 / 2½"                | 01       |
| 2810 7752 00 | 80 / 3"                 | 01       |

## VALVES

### Valves



| PARTNUMBER   | AIRNET Ø<br>(MM / INCH) | LOT SIZE |
|--------------|-------------------------|----------|
| 2810 6051 00 | 63 / 2½"                | 01       |
| 2810 7051 00 | 80 / 3"                 | 01       |
| 1606 4561 04 | 100 / 4"                | 01       |
| 2810 9051 00 | 158 / 6"                | 01       |

## VALVES

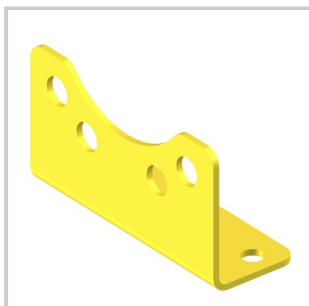
Threaded valve (NPT thread)



| PARTNUMBER   | LOT SIZE | AIRNET Ø<br>(MM / INCH) |
|--------------|----------|-------------------------|
| 2810 6653 00 | 01       | 63 / 2½"                |
| 2810 7753 00 | 01       | 80 / 3"                 |

**VALVES**

Valve / Flange support



| PARTNUMBER   | AIRNET Ø<br>(MM / INCH) |
|--------------|-------------------------|
| 2810 0006 38 | 63 / 2½"                |
| 2810 0007 38 | 80 / 3"                 |
| 2810 8064 00 | 100 / 4"                |
| 2810 9064 00 | 158 / 6"                |

## VALVES

### Valves PF Series



| PARTNUMBER   | AIRNET Ø<br>(MM / INCH) | LOT SIZE |
|--------------|-------------------------|----------|
| 2811 1051 81 | 20 / ¾"                 | 01       |
| 2811 2051 81 | 25 / 1"                 | 01       |
| 2811 4051 81 | 40 / 1½"                | 01       |
| 2811 5051 81 | 50 / 2"                 | 01       |

**VALVES****Threaded valve PF Series (ISO 228)**

| PARTNUMBER   | AIRNET Ø<br>(MM / INCH) | LOT SIZE |
|--------------|-------------------------|----------|
| 2811 1152 81 | 20 / ¾"                 | 01       |
| 2811 2252 81 | 25 / 1"                 | 01       |
| 2811 4452 81 | 40 / 1½"                | 01       |
| 2811 5552 81 | 50 / 2"                 | 01       |

## VALVES

### Threaded valve PF Series (NPT Thread)



| PARTNUMBER   | AIRNET Ø<br>(MM / INCH) | LOT SIZE |
|--------------|-------------------------|----------|
| 2811 1153 81 | 20 / ¾"                 | 01       |
| 2811 2253 81 | 25 / 1"                 | 01       |
| 2811 4453 81 | 40 / 1½"                | 01       |
| 2811 5553 81 | 50 / 2"                 | 01       |

**QUICKDROP****Saddle clamp (ISO 228)**

| <b>PARTNUMBER</b> | <b>AIRNET Ø<br/>(MM / INCH)</b> | <b>DROP LEG THREAD OUTLET Ø<br/>(MM / INCH)</b> | <b>LOT SIZE</b> |
|-------------------|---------------------------------|---|-----------------|
| 1630 0200 00      | 100 / 4"                        | 25 / 1"   | 01              |
| 1630 0200 03      | 158 / 6"                        | 25 / 1"   | 01              |



## QUICKDROP Quickdrop PF Series



| PARTNUMBER   | AIRNET Ø<br>(MM / INCH) | DROP LEG THREAD OUTLET Ø<br>(MM / INCH) | LOT SIZE |
|--------------|-------------------------|---|----------|
| 2811 2110 80 | 25 / 1"                 | 20 / ¾"                                 | 01       |
| 2811 4110 80 | 40 / 1½"                | 20 / ¾"                                 | 01       |
| 2811 4210 80 | 40 / 1½"                | 25 / 1"                                 | 01       |
| 2811 5110 80 | 50 / 2"                 | 20 / ¾"                                 | 01       |
| 2811 5210 80 | 50 / 2"                 | 25 / 1"                                 | 01       |
| 2811 6110 80 | 63 / 2½"                | 20 / ¾"                                 | 01       |
| 2811 6210 80 | 63 / 2½"                | 25 / 1"                                 | 01       |
| 2811 7110 80 | 80 / 3"                 | 20 / ¾"                                 | 01       |
| 2811 7210 80 | 80 / 3"                 | 25 / 1"                                 | 01       |

## QUICKDROP

### Threaded quickdrop PF Series (ISO 228)



| PARTNUMBER   | AIRNET Ø<br>(MM / INCH) | DROP LEG THREAD OUTLET Ø<br>(MM / INCH) | LOT SIZE |
|--------------|-------------------------|---|----------|
| 2811 2011 80 | 25 / 1"                 | 12.5 / ½"                               | 01       |
| 2811 4011 80 | 40 / 1½"                | 12.5 / ½"                               | 01       |
| 2811 4111 80 | 40 / 1½"                | 20 / ¾"                                 | 01       |
| 2811 5011 80 | 50 / 2"                 | 12.5 / ½"                               | 01       |
| 2811 5111 80 | 50 / 2"                 | 20 / ¾"                                 | 01       |
| 2811 6011 80 | 63 / 2½"                | 12.5 / ½"                               | 01       |
| 2811 6111 80 | 63 / 2½"                | 20 / ¾"                                 | 01       |
| 2811 7011 80 | 80 / 3"                 | 12.5 / ½"                               | 01       |
| 2811 7111 80 | 80 / 3"                 | 20 / ¾"                                 | 01       |

## QUICKDROP

### Threaded quickdrop PF Series (NPT)



| PARTNUMBER   | AIRNET Ø<br>(MM / INCH) | DROP LEG THREAD OUTLET Ø<br>(MM / INCH) | LOT SIZE |
|--------------|-------------------------|---|----------|
| 2811 2012 80 | 25 / 1"                 | 12.5 / ½"                               | 01       |
| 2811 4012 80 | 40 / 1½"                | 12.5 / ½"                               | 01       |
| 2811 4112 80 | 40 / 1½"                | 20 / ¾"                                 | 01       |
| 2811 5012 80 | 50 / 2"                 | 12.5 / ½"                               | 01       |
| 2811 5112 80 | 50 / 2"                 | 20 / ¾"                                 | 01       |
| 2811 6012 80 | 63 / 2½"                | 12.5 / ½"                               | 01       |
| 2811 6112 80 | 63 / 2½"                | 20 / ¾"                                 | 01       |
| 2811 7012 80 | 80 / 3"                 | 12.5 / ½"                               | 01       |
| 2811 7112 80 | 80 / 3"                 | 20 / ¾"                                 | 01       |

## NIPPLE SOCKETS

### Aluminium nipple socket (ISO 7-R)



| PARTNUMBER   | AIRNET Ø<br>(MM / INCH) | THREAD OUTLET Ø<br>(MM / INCH) | LOT SIZE |
|--------------|-------------------------|--------------------------------|----------|
| 2810 6517 00 | 63 / 2½"                | 50 / 2"                        | 01       |
| 2810 6617 00 | 63 / 2½"                | 63 / 2½"                       | 01       |
| 2810 7617 00 | 80 / 3"                 | 63 / 2½"                       | 01       |
| 2810 7717 00 | 80 / 3"                 | 80 / 3"                        | 01       |

## NIPPLE SOCKETS

### Aluminium nipple socket (NPT)



| PARTNUMBER   | AIRNET Ø<br>(MM / INCH) | THREAD OUTLET Ø<br>(MM / INCH) | LOT SIZE |
|--------------|-------------------------|--------------------------------|----------|
| 2810 6518 00 | 63 / 2½"                | 50 / 2"                        | 01       |
| 2810 6618 00 | 63 / 2½"                | 63 / 2½"                       | 01       |
| 2810 7618 00 | 80 / 3"                 | 63 / 2½"                       | 01       |
| 2810 7718 00 | 80 / 3"                 | 80 / 3"                        | 01       |

## NIPPLE SOCKETS

### Aluminum Nipple Socket PF Series (ISO 7-R)



| PARTNUMBER   | AIRNET Ø<br>(MM / INCH) | THREAD OUTLET Ø<br>(MM / INCH) | LOT SIZE |
|--------------|-------------------------|--------------------------------|----------|
| 2811 1017 80 | 20 / ¾"                 | 12.5 / ½"                      | 01       |
| 2811 1117 80 | 20 / ¾"                 | 20 / ¾"                        | 01       |
| 2811 2117 80 | 25 / 1"                 | 20 / ¾"                        | 01       |
| 2811 2217 80 | 25 / 1"                 | 25 / 1"                        | 01       |
| 2811 4317 80 | 40 / 1½"                | 32 / 1¼"                       | 01       |
| 2811 4417 80 | 40 / 1½"                | 40 / 1½"                       | 01       |
| 2811 5417 80 | 50 / 2"                 | 40 / 1½"                       | 01       |
| 2811 5517 80 | 50 / 2"                 | 50 / 2"                        | 01       |

## NIPPLE SOCKETS

### Aluminum Nipple Socket PF Series (NPT)



| PARTNUMBER   | AIRNET Ø<br>(MM / INCH) | THREAD OUTLET Ø<br>(MM / INCH) | LOT SIZE |
|--------------|-------------------------|--------------------------------|----------|
| 2811 1018 80 | 20 / ¾"                 | 12.5 / ½"                      | 01       |
| 2811 1118 80 | 20 / ¾"                 | 20 / ¾"                        | 01       |
| 2811 2118 80 | 25 / 1"                 | 20 / ¾"                        | 01       |
| 2811 2218 80 | 25 / 1"                 | 25 / 1"                        | 01       |
| 2811 4318 80 | 40 / 1½"                | 32 / 1¼"                       | 01       |
| 2811 4418 80 | 40 / 1½"                | 40 / 1½"                       | 01       |
| 2811 5418 80 | 50 / 2"                 | 40 / 1½"                       | 01       |
| 2811 5518 80 | 50 / 2"                 | 50 / 2"                        | 01       |

**NIPPLE SOCKETS**

## Aluminium female nipple socket (ISO 228)

| PARTNUMBER   | AIRNET Ø<br>(MM / INCH) | THREAD OUTLET Ø<br>(MM / INCH) | LOT SIZE |
|--------------|-------------------------|--------------------------------|----------|
| 2810 6619 00 | 63 / 2½"                | 63 / 2½"                       | 01       |



**NIPPLE SOCKETS**

## Aluminium female nipple socket (NPT)

| PARTNUMBER   | AIRNET Ø<br>(MM / INCH) | THREAD OUTLET Ø<br>(MM / INCH) | LOT SIZE |
|--------------|-------------------------|--------------------------------|----------|
| 2810 6620 00 | 63 / 2½"                | 63 / 2½"                       | 01       |

## WALL MOUNTED NIPPLES

### Wall Mounted Nipples PF Series (ISO 228)



| PARTNUMBER   | AIRNET Ø<br>(MM / INCH) | LOT SIZE |
|--------------|-------------------------|----------|
| 2811 1023 80 | 20 / ¾"                 | 01       |
| 2811 2023 80 | 25 / 1"                 | 01       |

## WALL MOUNTED NIPPLES

### Wall Mounted Nipples PF Series (NPT)



| PARTNUMBER   | AIRNET Ø<br>(MM / INCH) | LOT SIZE |
|--------------|-------------------------|----------|
| 2811 1024 80 | 20 / ¾"                 | 01       |
| 2811 2024 80 | 25 / 1"                 | 01       |

## WALL MOUNTED NIPPLES

### Threaded Wall Mounted Nipples PF Series (ISO 7-R / ISO 228)



| PARTNUMBER   | THREAD INLET Ø<br>(MM / INCH) | THREAD OUTLET Ø<br>(MM / INCH) | LOT SIZE |
|--------------|-------------------------------|--------------------------------|----------|
| 2811 0025 80 | 12.5 / ½"                     | 12.5 / ½"                      | 01       |
| 2811 1025 80 | 20 / ¾"                       | 12.5 / ½"                      | 01       |

## WALL MOUNTED NIPPLES

### Threaded Wall Mounted Nipples PF Series (NPT)



| PARTNUMBER   | THREAD INLET Ø<br>(MM / INCH) | THREAD OUTLET Ø<br>(MM / INCH) | LOT SIZE |
|--------------|-------------------------------|--------------------------------|----------|
| 2811 0026 80 | 12.5 / ½"                     | 12.5 / ½"                      | 01       |
| 2811 1026 80 | 20 / ¾"                       | 12.5 / ½"                      | 01       |

## FLANGES

### Flange EN



| PARTNUMBER   | AIRNET Ø<br>(MM / INCH) | LOT SIZE |
|--------------|-------------------------|----------|
| 2810 6054 00 | 63 / 2½"                | 01       |
| 2810 7054 00 | 80 / 3"                 | 01       |
| 2810 8154 00 | 100 / 4"                | 01       |
| 2810 9154 00 | 158 / 6"                | 01       |

## FLANGES

### Flange ANSI



| PARTNUMBER   | AIRNET Ø<br>(MM / INCH) | LOT SIZE |
|--------------|-------------------------|----------|
| 2810 6154 00 | 63 / 2½"                | 01       |
| 2810 7154 00 | 80 / 3"                 | 01       |
| 2810 8254 00 | 100 / 4"                | 01       |
| 2810 9154 00 | 158 / 6"                | 01       |

## FLANGE ACCESSORIES

### Flat Gasket



| PARTNUMBER   | AIRNET Ø<br>(MM / INCH) | LOT SIZE |
|--------------|-------------------------|----------|
| 0650 0100 16 | 63 / 2½"                | 01       |
| 0650 1001 27 | 80 / 3"                 | 01       |
| 0650 0100 06 | 100 / 4"                | 01       |
| 0650 1001 25 | 158 / 6"                | 01       |



**FLANGE ACCESSORIES**

**Bolts and Nuts for Flange Diameter 100 & 158 - Metric**



| PARTNUMBER   | AIRNET Ø<br>(MM / INCH) | LOT SIZE |
|--------------|-------------------------|----------|
| 2810 0154 08 | 100 / 4"                | 08       |
| 2810 0354 08 | 158 / 6"                | 08       |

## FLANGE ACCESSORIES

### Bolts and Nuts for Flange Diameter 100 & 158 - Imperial



| PARTNUMBER   | AIRNET Ø<br>(MM / INCH) | LOT SIZE |
|--------------|-------------------------|----------|
| 2810 0254 08 | 100 / 4"                | 08       |
| 2810 0454 08 | 158 / 6"                | 08       |

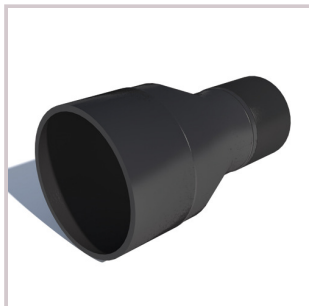
## SPARE NUTS

### Spare Nuts PF Series



| PARTNUMBER   | AIRNET Ø<br>(MM / INCH) | DESCRIPTION | LOT SIZE |
|--------------|-------------------------|-------------|----------|
| 2811 1001 12 | 20 / ¾"                 | 12 nuts     | 01       |
| 2811 2001 12 | 25 / 1"                 | 12 nuts     | 01       |
| 2811 4001 12 | 40 / 1½"                | 12 nuts     | 01       |
| 2811 5001 12 | 50 / 2"                 | 12 nuts     | 01       |

**END CAP**  
End Cap



| PARTNUMBER   | AIRNET Ø<br>(MM / INCH) | LOT SIZE |
|--------------|-------------------------|----------|
| 2810 6006 00 | 63 / 2½"                | 01       |
| 2810 7006 00 | 80 / 3"                 | 01       |
| 2810 9816 00 | 100 / 4"                | 01       |

## END CAP

### End Cap PF Series



| PARTNUMBER   | AIRNET Ø<br>(MM / INCH) | LOT SIZE |
|--------------|-------------------------|----------|
| 2811 1006 80 | 20 / ¾"                 | 01       |
| 2811 2006 80 | 25 / 1"                 | 01       |
| 2811 4006 80 | 40 / 1¾"                | 01       |
| 2811 5006 80 | 50 / 2"                 | 01       |

## FLEXIBLE HOSES

### AIRnet hose NPT



| PARTNUMBER   | AIRNET Ø<br>(MM / INCH) | END TYPE  | CABLE ENDS          | CONNECTION TYPE | L [MM] | LOT SIZE |
|--------------|-------------------------|-----------|---------------------|-----------------|--------|----------|
| 2810 1057 00 | 20 / ¾"                 | Straight  | NPTF 3/4 - 14       | Female          | 750    | 01       |
| 2810 1157 00 | 20 / ¾"                 | Straight  | NPTF 3/4 - 14       | Female          | 1500   | 01       |
| 2810 2057 00 | 25 / 1"                 | Straight  | NPTF 1 - 11 1/2     | Female          | 750    | 01       |
| 2810 2157 00 | 25 / 1"                 | Straight  | NPTF 1 - 11 1/2     | Female          | 1500   | 01       |
| 2810 4057 00 | 40 / 1½"                | Elbow 90° | NPTF 1 1/2 - 11 1/2 | Female          | 1000   | 01       |
| 2810 4157 00 | 40 / 1½"                | Straight  | NPTF 1 1/2 - 11 1/2 | Female          | 1500   | 01       |
| 2810 5057 00 | 50 / 2"                 | Elbow 90° | NPTF 2 - 11 1/2     | Female          | 1000   | 01       |
| 2810 5157 00 | 50 / 2"                 | Straight  | NPTF 2 - 11 1/2     | Female          | 1500   | 01       |

## FLEXIBLE HOSES

### AIRnet hose (ISO 228)



| PARTNUMBER   | AIRNET Ø<br>(MM / INCH) | END TYPE  | CABLE ENDS                 | CONNECTION TYPE | L [MM] | LOT SIZE |
|--------------|-------------------------|-----------|----------------------------|-----------------|--------|----------|
| 2810 1055 00 | 20 / ¾"                 | Straight  | G3/4                       | Female          | 750    | 01       |
| 2810 1155 00 | 20 / ¾"                 | Straight  | G3/4                       | Female          | 1500   | 01       |
| 2810 2055 00 | 25 / 1"                 | Straight  | G1                         | Female          | 750    | 01       |
| 2810 2155 00 | 25 / 1"                 | Straight  | G1                         | Female          | 1500   | 01       |
| 2810 4055 00 | 40 / 1½"                | Elbow 90° | G1 1/2                     | Female          | 1000   | 01       |
| 2810 4155 00 | 40 / 1½"                | Straight  | G1 1/2                     | Female          | 1500   | 01       |
| 2810 5055 00 | 50 / 2"                 | Elbow 90° | G2                         | Female          | 1000   | 01       |
| 2810 5155 00 | 50 / 2"                 | Straight  | G2                         | Female          | 1500   | 01       |
| 2810 6055 00 | 63 / 2½"                | Elbow 90° | Flanged (DN65 DIN PN10/16) | N/A             | 1000   | 01       |
| 2810 6155 00 | 63 / 2½"                | Straight  | Flanged (DN65 DIN PN10/16) | N/A             | 1500   | 01       |
| 2810 7055 00 | 80 / 3"                 | Elbow 90° | Flanged (DN80 DIN PN10/16) | N/A             | 1000   | 01       |
| 2810 7155 00 | 80 / 3"                 | Straight  | Flanged (DN80 DIN PN10/16) | N/A             | 1500   | 01       |

## PROTECTION STRAP AGAINST WHIPLASH

Protection strap against whiplash



| PARTNUMBER   | DESCRIPTION                       | LOT SIZE |
|--------------|-----------------------------------|----------|
| 2810 0055 00 | For AIRnet Ø 20 - 32mm (¾" - 1¼") | 01       |
| 2810 0055 01 | For AIRnet Ø 40 - 80mm (1½" - 3") | 01       |



## DEMONSTRATION MATERIAL

### Demobox

| PARTNUMBER   | DESCRIPTION          | LOT SIZE |
|--------------|----------------------|----------|
| 2811 0046 00 | For AIRnet PF series | 1        |
| 2810 0846 00 | For AIRnet D100      | 1        |

## DEMONSTRATION MATERIAL

### Display

| PARTNUMBER   | DESCRIPTION             | LOT SIZE |
|--------------|-------------------------|----------|
| 2810 0098 00 | AIRnet display stand    | 1        |
| 2810 0498 00 | Acrylic box             | 1        |
| 2810 0598 00 | Complete AIRnet display | 1        |
| 2810 0198 00 | LCD                     | 1        |
| 2810 0298 00 | Flight case             | 1        |
| 2810 0398 00 | Brochure holder         | 1        |

**LABELS**

## Labels

| PARTNUMBER   | DESCRIPTION    | LOT SIZE |
|--------------|----------------|----------|
| 2810 8067 05 | Pressure label | 1        |
| 2810 8167 05 | Vacuum lable   | 1        |

## CLIP, BRACKETS AND SUPPORT

### Profile channel arms



| PARTNUMBER   | DESCRIPTION            | LOT SIZE |
|--------------|------------------------|----------|
| 2810 0132 00 | Cantilever arm 540mm   | 01       |
| 2810 0032 05 | Cantilever arm 300mm   | 05       |
| 2810 0031 05 | Wall bracket C-profile | 05       |
| 2810 0030 05 | Channel 2m C-profile   | 05       |
| 2810 0034 10 | Protection cap         | 10       |
| 2810 0333 10 | T-bolt L=80 M8         | 10       |
| 2810 0233 10 | T-bolt L=60 M8         | 10       |
| 2810 0133 10 | T-bolt L=40 M8         | 10       |
| 2810 0033 10 | T-bolt L=30 M8         | 10       |
| 2810 1033 10 | Sliding nut M6         | 10       |

## CLIP, BRACKETS AND SUPPORT

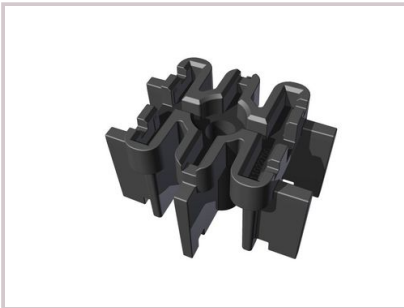
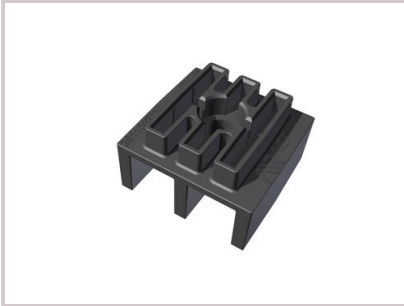
### Pipe Clip PF Series (Metric)



| PARTNUMBER   | AIRNET Ø<br>(MM / INCH) | THREAD TYPE | LOT SIZE |
|--------------|-------------------------|-------------|----------|
| 2811 1022 20 | 20 / ¾"                 | M6          | 20       |
| 2811 2022 20 | 25 / 1"                 | M6          | 20       |
| 2811 4022 20 | 40 / 1½"                | M6          | 20       |
| 2811 5022 20 | 50 / 2"                 | M6          | 20       |
| 2811 6022 20 | 63 / 2½"                | M8          | 20       |
| 2811 7022 20 | 80 / 3"                 | M8          | 20       |
| 2810 8022 10 | 100 / 4"                | M10         | 10       |
| 2810 9022 10 | 158 / 6"                | M8 / M10    | 10       |

## CLIP, BRACKETS AND SUPPORT

### Pipe Clip Spacer PF Series



| PARTNUMBER   | AIRNET Ø<br>(MM / INCH) | LOT SIZE |
|--------------|-------------------------|----------|
| 2811 0027 10 | 25 / 1"                 | 10       |
| 2811 0127 10 | 50 / 2"                 | 10       |
| 2811 0227 10 | 80 / 3"                 | 10       |
| 2810 0327 10 | 100 / 4"                | 10       |
| 2810 0227 10 | 100 / 4"                | 10       |

## CLIP, BRACKETS AND SUPPORT

### Pipe Clip PF Series (Imperial)



| PARTNUMBER   | AIRNET Ø<br>(MM / INCH) | THREAD TYPE   | LOT SIZE |
|--------------|-------------------------|---------------|----------|
| 2811 1122 20 | 20 / ¾"                 | 1/4 UNC       | 20       |
| 2811 2122 20 | 25 / 1"                 | 1/4 UNC       | 20       |
| 2811 4122 20 | 40 / 1½"                | 1/4 UNC       | 20       |
| 2811 5122 20 | 50 / 2"                 | 1/4 UNC       | 20       |
| 2811 6122 20 | 63 / 2½"                | 5/16 UNC      | 20       |
| 2811 7122 20 | 80 / 3"                 | 5/16 UNC      | 20       |
| 2810 9122 10 | 158 / 6"                | M10 → 3/8 UNC | 10       |

## CLIP, BRACKETS AND SUPPORT

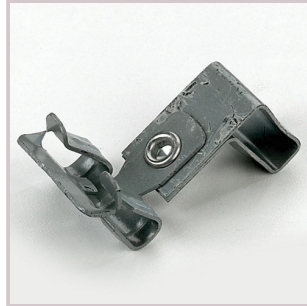
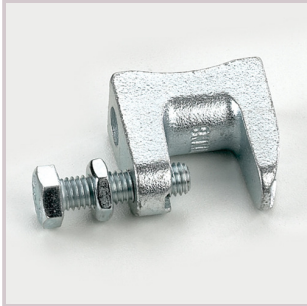
### Pipe Clip Adaptor Bolts

| PARTNUMBER   | DESCRIPTION        | LOT SIZE |
|--------------|--------------------|----------|
| 2811 0272 00 | 5/16 UNC - 3/8 UNC | 1        |
| 2811 0372 00 | M10 - 3/8 UNC      | 1        |
| 2811 0072 00 | M6 - M8            | 1        |
| 2811 0172 00 | 1/4 UNC - 3/8 UNC  | 1        |



## OTHER HANGING SOLUTIONS

### Hanging to a beam - I or H profile



| PARTNUMBER   | DESCRIPTION                      | THREAD TYPE | BEAM THICKNESS | LOT SIZE |
|--------------|----------------------------------|-------------|----------------|----------|
| 2810 0035 10 | Push-in beam clamp for I profile | M8          | 2-3mm          | 10       |
| 2810 0135 10 | Push-in beam clamp for I profile | M8          | 3-8mm          | 10       |
| 2810 0235 10 | Push-in beam clamp for I profile | M8          | 8-14mm         | 10       |
| 2810 0335 10 | Push-in beam clamp for I profile | M8          | 14-20mm        | 10       |
| 2810 0036 10 | Screw beam clamp                 | M8          | 1.5-11mm       | 10       |
| 2810 0038 10 | Hang clamp for H profile         | M8          | 1.5-4mm        | 10       |
| 2810 0138 10 | Hang clamp for H profile         | M8          | 4-6.5mm        | 10       |
| 2810 1035 10 | Push-in beam clamp for I profile | M6          | 2-3mm          | 10       |
| 2810 1135 10 | Push-in beam clamp for I profile | M6          | 3-8mm          | 10       |
| 2810 1235 10 | Push-in beam clamp for I profile | M6          | 8-14mm         | 10       |
| 2810 1335 10 | Push-in beam clamp for I profile | M6          | 14-20mm        | 10       |
| 2810 1036 10 | Screw beam clamp                 | M6          | 1.5-11mm       | 10       |
| 2810 1038 10 | Hang clamp for H profile         | M6          | 1.5-4mm        | 10       |
| 2810 1138 10 | Hang clamp for H profile         | M6          | 4-6.5mm        | 10       |

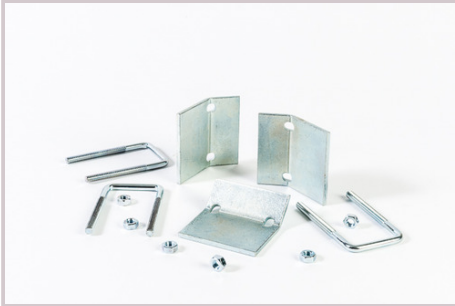
## OTHER HANGING SOLUTIONS

### Canalis hanger

| PARTNUMBER   | LOT SIZE |
|--------------|----------|
| 2810 0250 05 | 05       |

## OTHER HANGING SOLUTIONS

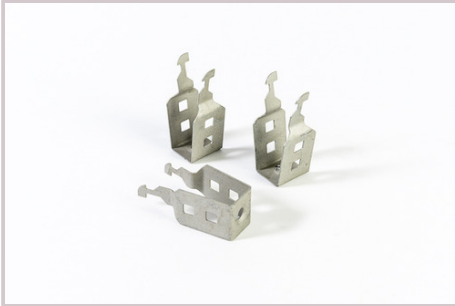
### U-bolt beam clamp



| PARTNUMBER   | LOT SIZE |
|--------------|----------|
| 2810 0037 10 | 10       |

## OTHER HANGING SOLUTIONS

### Roof clamp



| PARTNUMBER   | LOT SIZE |
|--------------|----------|
| 2810 1039 10 | 10       |
| 2810 0039 10 | 10       |

## SPARE PARTS

### Inner Parts

| PARTNUMBER   | AIRNET Ø<br>(MM / INCH) | LOT SIZE |
|--------------|-------------------------|----------|
| 2810 6060 05 | 63 / 2½"                | 05       |
| 2810 7060 05 | 80 / 3"                 | 05       |

## SPARE PARTS

### O-ring

| PARTNUMBER   | AIRNET Ø<br>(MM / INCH) | LOT SIZE |
|--------------|-------------------------|----------|
| 2811 2065 10 | 25 / 1"                 | 10       |
| 2811 4065 10 | 40 / 1½"                | 10       |
| 2810 6065 10 | 63 / 2½"                | 10       |
| 2811 6065 10 | 63 / 2½"                | 10       |
| 2810 7065 10 | 80 / 3"                 | 10       |
| 2810 8065 05 | 100 / 4"                | 05       |
| 2810 8165 05 | 100 / 4"                | 05       |

## SPARE PARTS

### Nuts and Bolts

| PARTNUMBER   | DESCRIPTION                                 | LOT SIZE |
|--------------|---|----------|
| 2810 8060 10 | Bolts & clips for Ø100 mm (4") equal socket | 10       |

## ADAPTOR UNION

### Adaptor Union (NPT)

| PARTNUMBER   | AIRNET Ø<br>(MM / INCH) | OUTLET Ø<br>(MM / INCH) | LOT SIZE |
|--------------|-------------------------|-------------------------|----------|
| 2811 1114 80 | 20 / ¾"                 | 20 / ¾"                 | 01       |
| 2811 2214 80 | 25 / 1"                 | 25 / 1"                 | 01       |
| 2811 4414 80 | 40 / 1½"                | 40 / 1½"                | 01       |
| 2811 5514 80 | 50 / 2"                 | 50 / 2"                 | 01       |
| 2810 6614 00 | 63 / 2½"                | 63 / 2½"                | 01       |
| 2810 7714 00 | 80 / 3"                 | 80 / 3"                 | 01       |



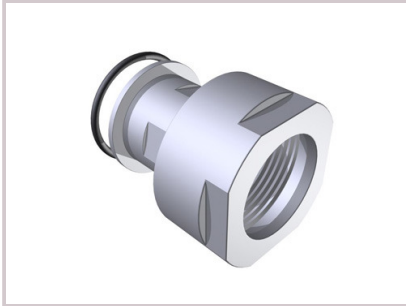
## ADAPTOR UNION Adaptor Union (ISO 228)



| PARTNUMBER   | AIRNET Ø<br>(MM / INCH) | OUTLET Ø<br>(MM / INCH) | LOT SIZE |
|--------------|-------------------------|-------------------------|----------|
| 2811 1113 80 | 20 / ¾"                 | 20 / ¾"                 | 01       |
| 2811 2213 80 | 25 / 1"                 | 25 / 1"                 | 01       |
| 2811 4413 80 | 40 / 1½"                | 40 / 1½"                | 01       |
| 2811 5513 80 | 50 / 2"                 | 50 / 2"                 | 01       |
| 2810 6613 00 | 63 / 2½"                | 63 / 2½"                | 01       |
| 2810 7713 00 | 80 / 3"                 | 80 / 3"                 | 01       |

## ADAPTOR UNION

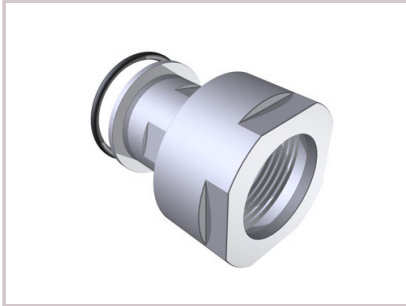
### Adaptor Union Kit PF Series (ISO 228)



| PARTNUMBER   | AIRNET Ø<br>(MM / INCH) | THREAD OUTLET Ø<br>(MM / INCH) | LOT SIZE |
|--------------|-------------------------|--------------------------------|----------|
| 2811 0019 80 | 20 / ¾"                 | 10 / "                         | 01       |
| 2811 1019 80 | 20 / ¾"                 | 12.5 / ½"                      | 01       |
| 2811 2019 80 | 25 / 1"                 | 12.5 / ½"                      | 01       |
| 2811 2119 80 | 25 / 1"                 | 20 / ¾"                        | 01       |
| 2811 4219 80 | 40 / 1½"                | 25 / 1"                        | 01       |
| 2811 5419 80 | 50 / 2"                 | 40 / 1½"                       | 01       |
| 2811 5519 80 | 50 / 2"                 | 50 / 2"                        | 01       |

## ADAPTOR UNION

### Adaptor Union Kit PF Series (NPT)



| PARTNUMBER   | AIRNET Ø<br>(MM / INCH) | THREAD OUTLET Ø<br>(MM / INCH) | LOT SIZE |
|--------------|-------------------------|--------------------------------|----------|
| 2811 0020 80 | 20 / ¾"                 | 10 / 0.39"                     | 01       |
| 2811 1020 80 | 20 / ¾"                 | 12.5 / ½"                      | 01       |
| 2811 2020 80 | 25 / 1"                 | 12.5 / ½"                      | 01       |
| 2811 2120 80 | 25 / 1"                 | 20 / ¾"                        | 01       |
| 2811 4220 80 | 40 / 1½"                | 25 / 1"                        | 01       |
| 2811 5420 80 | 50 / 2"                 | 40 / 1½"                       | 01       |
| 2811 5520 80 | 50 / 2"                 | 50 / 2"                        | 01       |

## CONNECTION PARTS

### Hexagon Nipples (ISO 7-R)

| PARTNUMBER   | THREAD Ø<br>(MM / INCH) | LOT SIZE |
|--------------|-------------------------|----------|
| 2811 0076 00 | 12.5 / ½"               | 01       |
| 2811 1176 00 | 20 / ¾"                 | 01       |
| 2811 2276 00 | 25 / 1"                 | 01       |
| 2811 4476 00 | 40 / 1½"                | 01       |
| 2811 5576 00 | 50 / 2"                 | 01       |

## CONNECTION PARTS

### Hexagon Nipples (NPT)

| PARTNUMBER   | THREAD Ø<br>(MM / INCH) | LOT SIZE |
|--------------|-------------------------|----------|
| 2811 0077 00 | 12.5 / ½"               | 01       |
| 2811 1177 00 | 20 / ¾"                 | 01       |
| 2811 2277 00 | 25 / 1"                 | 01       |
| 2811 4477 00 | 40 / 1½"                | 01       |
| 2811 5577 00 | 50 / 2"                 | 01       |

## CONNECTION PARTS

### Sockets (ISO 228)

| PARTNUMBER   | THREAD Ø<br>(MM / INCH) | LOT SIZE |
|--------------|-------------------------|----------|
| 2811 0078 00 | 12.5 / ½"               | 01       |
| 2811 1178 00 | 20 / ¾"                 | 01       |
| 2811 2278 00 | 25 / 1"                 | 01       |
| 2811 3378 00 | 32 / 1¼"                | 01       |
| 2811 4478 00 | 40 / 1½"                | 01       |
| 2811 5578 00 | 50 / 2"                 | 01       |

## CONNECTION PARTS

### Sockets (NPT)

| PARTNUMBER   | THREAD Ø<br>(MM / INCH) | LOT SIZE |
|--------------|-------------------------|----------|
| 2811 0079 00 | 12.5 / ½"               | 01       |
| 2811 1179 00 | 20 / ¾"                 | 01       |
| 2811 2279 00 | 25 / 1"                 | 01       |
| 2811 3379 00 | 32 / 1¼"                | 01       |
| 2811 4479 00 | 40 / 1½"                | 01       |
| 2811 5579 00 | 50 / 2"                 | 01       |

## CONDUCTIVITY STRIP KITS

### Conductivity strip kits

| PARTNUMBER   | AIRNET Ø<br>(MM / INCH) | TYPE         | LOT SIZE |
|--------------|-------------------------|--------------|----------|
| 2811 1003 90 | 20 / ¾"                 | 90°          | 05       |
| 2811 1004 90 | 20 / ¾"                 | 45°          | 05       |
| 2811 1002 90 | 20 / ¾"                 | Equal Socket | 05       |
| 2811 1005 90 | 20 / ¾"                 | Tee          | 05       |
| 2811 2005 90 | 25 / 1"                 | Tee          | 05       |
| 2811 2004 90 | 25 / 1"                 | 45°          | 05       |
| 2811 2003 90 | 25 / 1"                 | 90°          | 05       |
| 2811 4005 90 | 40 / 1½"                | Tee          | 05       |
| 2811 4003 90 | 40 / 1½"                | 90°          | 05       |
| 2811 4002 90 | 40 / 1½"                | Equal Socket | 05       |
| 2811 4004 90 | 40 / 1½"                | 45°          | 05       |
| 2811 5003 90 | 50 / 2"                 | 90°          | 05       |
| 2811 5004 90 | 50 / 2"                 | 45°          | 05       |
| 2811 5005 90 | 50 / 2"                 | Tee          | 05       |
| 2811 5002 90 | 50 / 2"                 | Equal Socket | 05       |



## CONDUCTIVITY STRIP KITS

Conductivity strip kit for all AIRnet diameters

| PARTNUMBER   | DESCRIPTION         | LOT SIZE |
|--------------|---------------------|----------|
| 2810 0191 00 | Strip earthing clip | 01       |

# TOOLS

## Airnet Spanner



| PARTNUMBER   | AIRNET Ø<br>(MM / INCH) |
|--------------|-------------------------|
| 2810 8028 00 | 40 / 1½"                |
| 2810 6028 00 | 63 / 2½"                |
| 2810 7028 00 | 80 / 4"                 |

## TOOLS

### Complete Toolbox



| PARTNUMBER   | DESCRIPTION   |
|--------------|---|
| 2810 0345 00 | Complete ToolBOX to assemble Ø20 - 50 mm (¾" - 2") pipes and quick drops. |

**TOOLS**

**Aluminium Pipe Deburrer**



| PARTNUMBER   | DESCRIPTION  | LOT SIZE |
|--------------|--|----------|
| 2810 0741 00 | Exact 60-125 mm  | 01       |
| 2810 0141 00 | Only heavy duty model to cover the diameters up to 50mm (2") | 01       |
| 2810 0041 00 | 6-37 mm  | 01       |
| 2810 0241 00 | 63 mm  | 01       |
| 2810 0641 00 | 50-150 mm pen  | 01       |

## TOOLS

### L Key



| PARTNUMBER   | DESCRIPTION       | LOT SIZE |
|--------------|-------------------|----------|
| 2810 0049 00 | Hexagon L key 6mm | 01       |
| 2810 0149 00 | Hexagon L key 5mm | 01       |

## TOOLS

### Aluminium Pipe Cutter



| PARTNUMBER   | DESCRIPTION           | LOT SIZE |
|--------------|-----------------------|----------|
| 2810 0040 00 | 6-66 mm               | 01       |
| 2810 0540 80 | 220V Exact + addendum | 01       |
| 2810 0140 00 | 48-116 mm             | 01       |
| 2810 0240 00 | 100-170 mm            | 01       |
| 2810 0640 80 | 110V Exact + addendum | 01       |

**TOOLS**  
Hole Deburrer



| PARTNUMBER   | LOT SIZE |
|--------------|----------|
| 2810 0042 00 | 01       |

## TOOLS

### Drill Bit



| PARTNUMBER   | DESCRIPTION   |
|--------------|---|
| 2810 0043 00 | Size 19 mm. For AIRnet classic quickdrops with drop line Ø 25mm (1") and threaded drop line Ø 20mm (¾")                                       |
| 2810 0143 00 | Size 14 mm. For AIRnet PF quickdrops Ø25mm (1"). For AIRnet classic quickdrops with drop line Ø20mm (¾") and threaded drop line Ø12,5 mm (½") |
| 2810 0243 00 | Size 24 mm. For AIRnet PF quickdrops Ø 40 mm (1½") - 80mm (3").   |



**TOOLS****Drill Bit Holder**

| PARTNUMBER   | DESCRIPTION             |
|--------------|-------------------------|
| 2810 0044 00 | For Ø 25mm/1" - 80mm/3" |

## TOOLS

### Spare Cutter Blade



| PARTNUMBER   | DESCRIPTION           | LOT SIZE |
|--------------|-----------------------|----------|
| 2810 0340 00 | For pipe cutter       | 01       |
| 2810 0440 00 | Diameter 100 mm / 4"  | 01       |
| 2810 0740 00 | For exact pipe cutter | 01       |

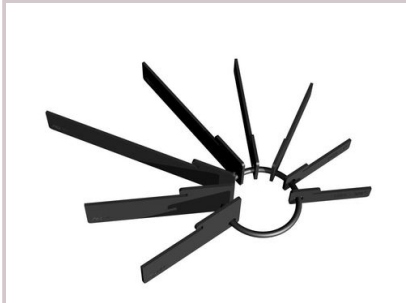
**TOOLS**  
Slide Fluid



| PARTNUMBER   | LOT SIZE | DESCRIPTION           |
|--------------|----------|-----------------------|
| 2810 0148 00 | 01       | Water base lubricator |

**TOOLS**

Pipe Marker PF Series



| PARTNUMBER   | DESCRIPTION   | LOT SIZE |
|--------------|---------------|----------|
| 2811 0029 80 | All diameters | 01       |

**TOOLS****Torque Wrench**

| PARTNUMBER   | DESCRIPTION   | LOT SIZE |
|--------------|---------------|----------|
| 0462 1011 05 | Torque head   | 01       |
| 0462 7094 21 | Torque wrench | 01       |

## TOOLS

### AIRnet Spanner PF Series



| PARTNUMBER   | AIRNET Ø<br>(MM / INCH) | LOT SIZE |
|--------------|-------------------------|----------|
| 2811 1028 00 | 20 / ¾"                 | 01       |
| 2811 2028 00 | 25 / 1"                 | 01       |
| 2811 4028 00 | 40 / 1½"                | 01       |
| 2811 5028 00 | 50 / 2"                 | 01       |