



Digital Timer Drain

Electric Operated Condensate Drain with Digital Timer Module

dDVT720 Series

A new drain with a digital timer interface for programming a wide range of exact open and close valve settings.



Features

Compact size, light weight

Test button

Adjustable valve open times and close times

LED display with backlight

Available with optional valve sizes

Available with optional valve guard/strainer

Benefits

Can be installed directly onto drain points on filters, separators, dryers and air receivers

Quick check of drain operation

Adjustment of both; drain frequency and length of drain cycle

Easy to read even in dark environments

Can be used on wide range of applications

Helps to prevent clogging

Specifications

Inlet/Outlet: 1/4" NPT / 3/8" NPT / 1/2" NPT
Valve Open Times: 0.5 - 99 seconds
Valve Closed Times: 0.5 minutes to 60 minutes
Pressure: 250 PSI – 300 PSI
Power: 110 V; 3 prong grounded plug with 6' cord.
Weight: 1 lb.
IP65 Protection Class



Ordering Information

Stock No.	Description
dDVT720	Timer Module Only
dDV720-66	Timer with 1/4" Valve
dDV720-22	Timer with 1/4" Valve
dDV720-23	Timer with 3/8" Valve
dDV720-24	Timer with 1/2" Valve
YS61214	Valve Guard/Strainer for 1/4" Valve
YS61238	Valve Guard/Strainer for 3/8" Valve
YS61212	Valve Guard/Strainer for 1/2" Valve

How It Works

The new dDVT720 drain incorporates a digital timer designed with an easy to read LED display with backlight, ON and OFF buttons for accurate programming, indicator lights to show valve open and valved closed program status, and a compact durable housing.

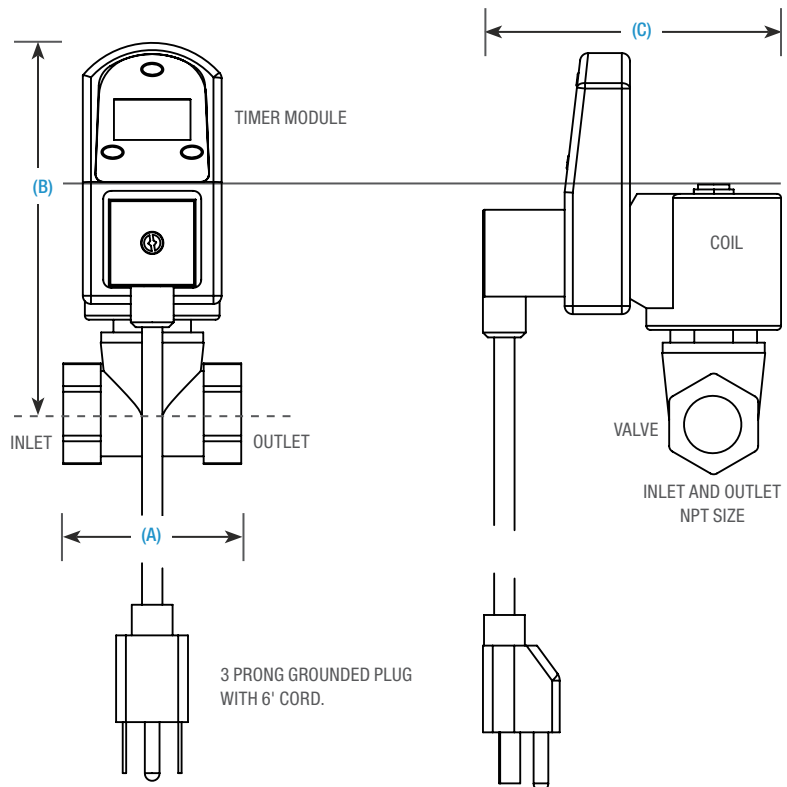
The digital timer included with the new dDVT720 drain is equipped with a wide range of adjustable open and closed drain valve settings that enable programming of the timer from 0.5 to 99 seconds for valve open and 0.5 minute to 60 minutes for valve closed times.

The new dDVT720 drain contains the same high quality diaphragm style valve as the original DVT720 but with digital interface for programming exact open and close valve settings.

Dimensions

(A)	(B)	(C)
1.4"	3.8"	3.4"
2.2"	4.9"	3.9"
2.2"	4.9"	3.9"
2.2"	4.9"	3.9"

See (A), (B), (C) Dimensions in illustration below



AIRTEC GLOBAL LLC
 1100 NW Loop 410 Ste. 764
 San Antonio, TX 78213
 Phone: (210) 366-8805
 Email: support@airtec.global
<http://airtec.global>

Electric Operated Condensate Drain

Posi-Drain



The chopping, guillotine action of the Posi Valve creates a non clogging, straight-through flow.

Removes condensate, (oil and water) from compressed air systems.

Features

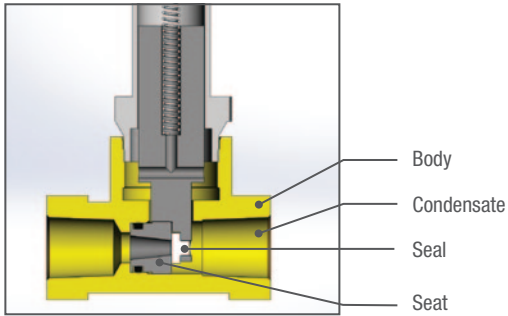
- Straight-through flow pattern
- Robust seat and seal design
- Dual-adjustable solid-state external timer
- Pilot lights for Power (red) and Valve Open (green)
- NEMA 4X enclosure
- Multi-valve capabilities
- Self-cleaning action
- Mounting tabs for wall or panel mount
- Versatile for many applications

Benefits

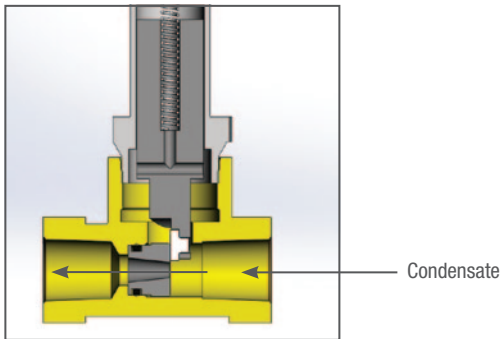
- Prevents clogging
- Provides extended service on the most demanding applications
- Easy adjustment of both drain frequency and length of drain cycle
- Indicate drain status at a glance
- Rugged and non-corrosive
- PD7000 operates one to four valves at once
- Makes valve dependable in adverse conditions
- Flexible positioning
- Can be used for filters, air receivers, air dryers, separators and aftercoolers

Posi Valve

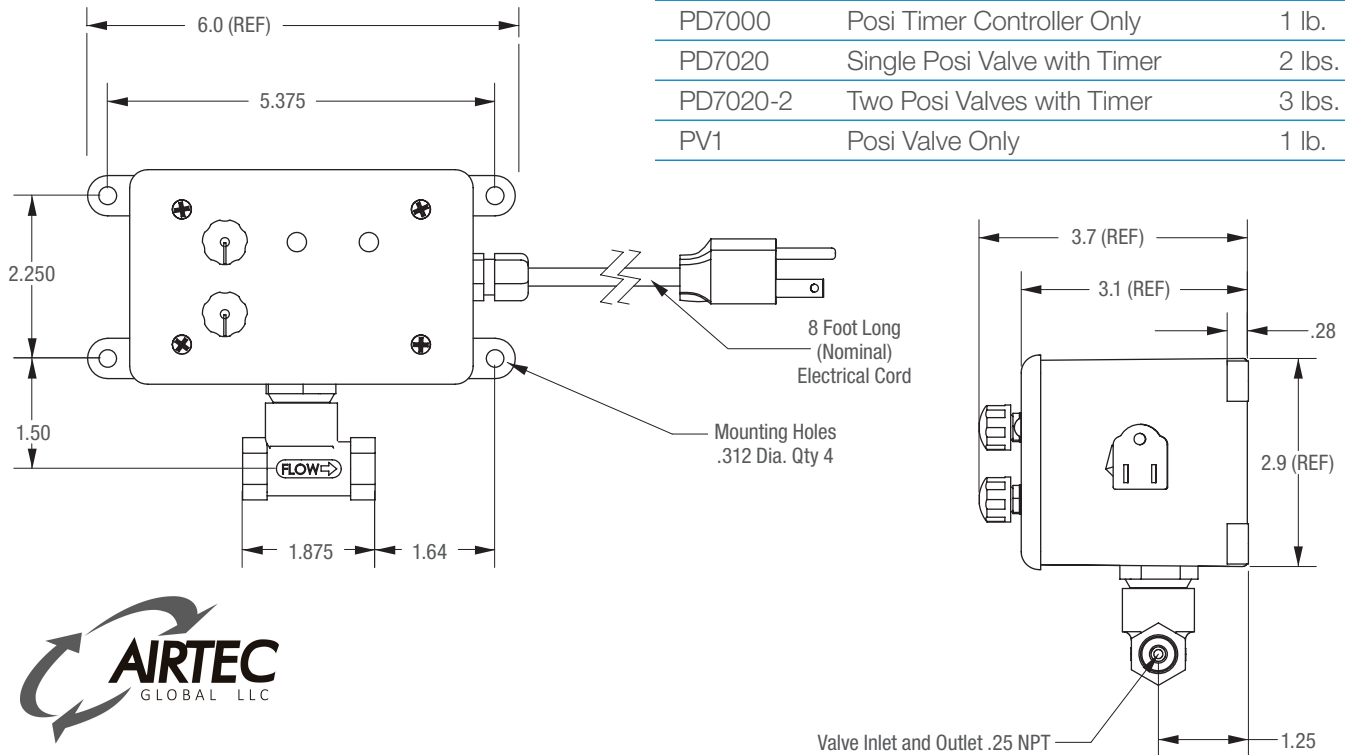
Closed Position



Open Position



Dimensions



AIRTEC GLOBAL LLC
 1100 NW Loop 410 Ste. 764
 San Antonio, TX 78213
 Phone: (210) 366-8805
 Email: support@airtec.global
 http://airtec.global

How It Works

The Posi-Drain is a premium timer drain based on the remarkable, chopping, guillotine action of the Posi Valve. This robust valve creates a non clogging, straight-through flow.

The timer initiates a drain cycle by energizing a magnet coil that slides up the seal assembly and creates a straight through flow path for condensate. When the timer times-out, the coil is de-energized and the seal assembly is spring-returned to the closed position. The opening and closing action also serves to wipe contaminants from the sealing surfaces to ensure a positive seal and no air.

Specifications

Inlet/Outlet: 1/4" NPT

Drain Cycle Frequency: 5 secs. – 50 mins.

Drain Cycle Time: 1 – 15 secs.

Pressure: 200 PSI

Grounded Cord: 8 ft.

Power: 110 V, 60 Hz., 1 Ph. with options for others

NEMA 4X Enclosure: 6" X 3" x 3"

Material: Body-Bronze, Seat-Stainless Steel, Seal-"Delrin"

Ordering Information

Stock No.	Description	Weight
PD7000	Posi Timer Controller Only	1 lb.
PD7020	Single Posi Valve with Timer	2 lbs.
PD7020-2	Two Posi Valves with Timer	3 lbs.
PV1	Posi Valve Only	1 lb.



Timer Drain

Electric Operated Condensate Drain

Sure-Drain



Adjustable solenoid-style timer drain.

Robust design in an economical package.

Removes condensate, (oil and water) from compressed air systems.

Features

Dual-adjustable solid-state timer

Pilot lights for Power (red) and Valve Open (green)

NEMA 4X enclosure

Mounting tabs for wall or panel mount

Available in 1/4" and 1/2" sizes

Pressure ratings up to 1500 PSI

Versatile for many applications

Benefits

Easy adjustment of both drain frequency and length of drain cycle

Indicate drain status at a glance

Rugged and non-corrosive

Flexible positioning

Designed for use on a wide range of flows

Available for use on a wide range of applications

Can be used for filters, air receivers, air dryers, separators and aftercoolers

Model No. SD11 Series

Specifications

Inlet/Outlet: 1/4" NPT / 1/2" NPT

Drain Cycle Frequency: 5 secs. – 50 mins.

Drain Cycle Time: 1 – 15 secs.

Pressure: 200 PSI, with options for others - see Ordering Information chart

Grounded Cord: 8 ft.

Voltage: 115V, with options for others

NEMA 4X Enclosure: 6" X 3" x 3"

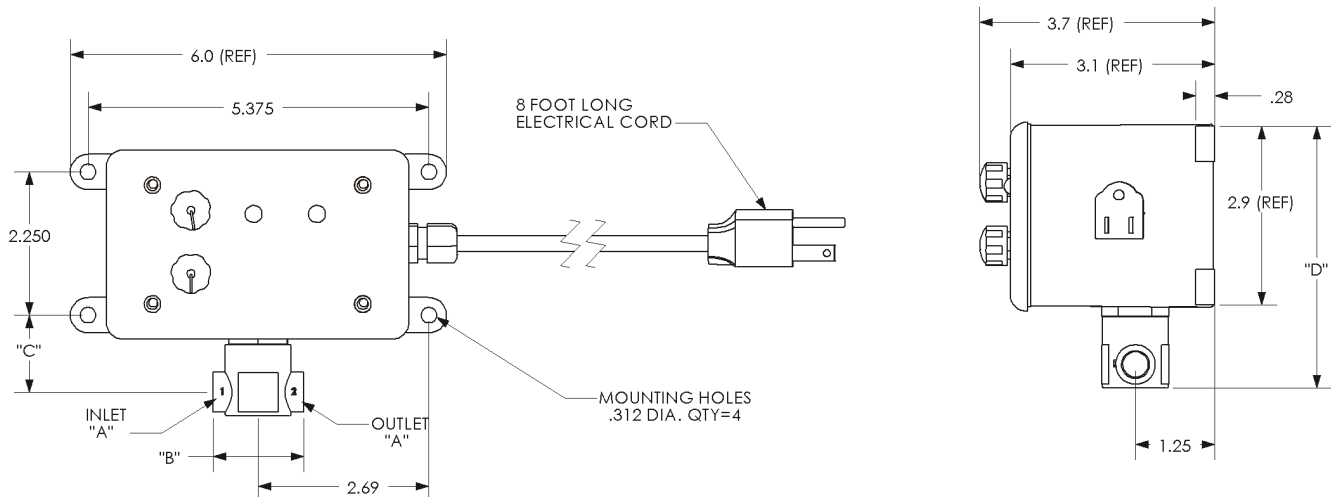
How It Works

The solid state timer initiates a drain cycle by energizing the valve coil that opens the valve and allows the condensate to drain. When the timer times-out, the coil is de-energized and the valve is spring-returned to the closed position.

Ordering Information

Stock No.	Description	Weight
SD11	Sure-Drain Timer Controller with Single Valve	2 lbs.
SD11-500	1/4" 500 PSI	2 lbs.
SD11-1500	1/4" 1500 PSI	2 lbs.
SD11-C12	1/2" 300 PSI	2 lbs.

Dimensions



AIRTEC GLOBAL LLC
1100 NW Loop 410 Ste. 764
San Antonio, TX 78213
Phone: (210) 366-8805
Email: support@airtec.global
http://airtec.global

All design specifications are subject to change without notice.

© 2017 FGA-012-072817-03



Electric Operated Condensate Drain

BVA-Drain

A non-clogging ball valve straight-through flow path design for higher flow and pressures.



Shown with Bronze Valve.
Also Available in Stainless Steel.

Removes condensate, (oil and water) from compressed air systems.

Features

- Low Cost
- Straight-through flow pattern
- Robust seat and seal design
- Available in several sizes
- NEMA 4X enclosure
- Available in different pressure ratings up to 2000 PSI
- Versatile for many applications

Benefits

- Alternative to manual drains
- Prevents clogging
- Provides extended service on the most demanding applications
- Can be used on wide range of flows
- Rugged and non-corrosive
- Can be used on wide range of applications
- Can be used for filters, air receivers, air dryers, separators and aftercoolers

Model No. BVA Series

Specifications

Inlet/Outlet: 1/4" NPT / 1/2" NPT /
3/4" NPT / 1" NPT

Drain Cycle Frequency: External signal

Drain Cycle Time: 5 secs.

Pressure: Bronze – up to 600 PSI
Stainless Steel – up to 2000 PSI

Power: 115 V, 60 Hz., 1 Ph.

Weight: 6 lbs.

NEMA 4X Enclosure: 6" X 3" x 3"

How It Works

The BVA Series is a heavy duty condensate or process drain consisting of a gear-motor operated ball valve. A drain cycle is initiated externally by a signal from a timer, PLC, or simple push button. The signal energizes the gear motor to rotate the ball valve 180° from closed to open and back to a closed position. The drain cycle lasts for approximately 5 seconds during which condensate is drained and then the drain is returned to a closed, stand-by condition.

Approx. Quarts Per Discharge Cycle

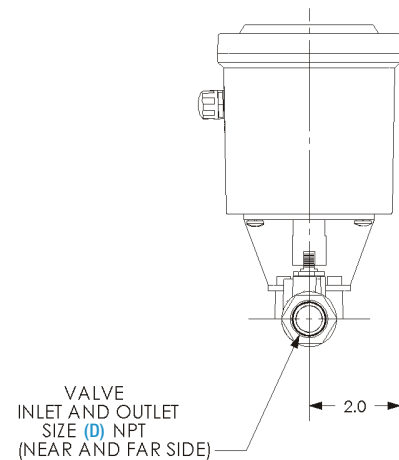
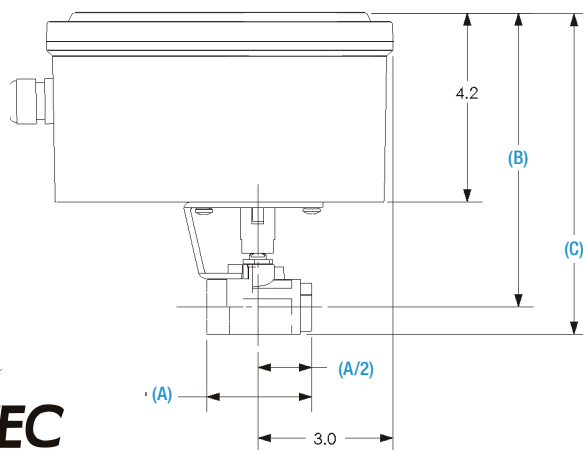
Operating Pressure	1/4"	1/2"	3/4"	1"
50	2	3.7	6.9	12.7
75	2.4	4.4	8.3	15.1
100	2.7	5	10	17.2
125	3	5.6	10.5	19.3
150	3.2	6	11.2	20.6

Ordering Information

Stock No.	Description	(A)	(B)	(C)	(D)
BVA-2B14 / 2S14	1/4" NPT Bronze / Stainless Steel Valve	2.25"	6.50"	6.50"	1/4"
BVA-2B12 / 2S12	1/2" NPT Bronze / Stainless Steel Valve	2.25"	6.50"	7.00"	1/2"
BVA-2B34 / 2S34	3/4" NPT Bronze / Stainless Steel Valve	3.00"	6.75"	7.50"	3/4"
BVA-2B10 / 2S10	1" NPT Bronze / Stainless Steel Valve	3.25"	7.25"	7.75"	1"

Dimensions

See (A), (B), (C), (D) Dimensions in illustration below



AIRTEC GLOBAL LLC
1100 NW Loop 410 Ste. 764
San Antonio, TX 78213
Phone: (210) 366-8805
Email: support@airtec.global
http://airtec.global

All design specifications are subject to change without notice.

© 2017 FGA-025-072817-02



Electric Operated Condensate Drain

BVD-Drain

A non-clogging ball valve with a solid state timer and a straight-through flow path design.



Shown with Stainless Steel Valve.
Also Available in Bronze.

Removes condensate, (oil and water) from compressed air systems.

Features

- Solid state timer
- Straight-through flow pattern
- Robust seat and seal design
- Test button
- Available in several sizes
- NEMA 4X enclosure
- Available in different pressure ratings up to 2000 PSI
- Versatile for many applications

Benefits

- Easy adjustability of drain cycle frequency
- Prevents clogging
- Provides extended service on the most demanding applications
- Quick check of drain operation
- Can be used on wide range of flows
- Rugged and non-corrosive
- Can be used on wide range of applications
- Can be used for filters, air receivers, air dryers, separators and aftercoolers

Model No. BVD Series

Specifications

Inlet/Outlet: 1/4" NPT / 1/2" NPT /
3/4" NPT / 1" NPT

Drain Cycle Frequency: 5 secs – 50 mins

Drain Cycle Time: 5 secs

Pressure: Bronze – up to 600 PSI
Stainless Steel – up to 2000 PSI

Grounded Cord: 8 ft.

Power: 115 V, 60 Hz., 1 Ph.

Weight: 6 lbs.

NEMA 4X Enclosure: 6" X 3" x 3"

How It Works

The BVD Series is a heavy duty condensate or process timer drain consisting of a gear-motor operated ball valve with a solid state timer and straight-through flow path design. The solid state timer module initiates a drain cycle by energizing the gear motor to rotate the ball valve 180° from closed to open and back to a closed position. The drain cycle lasts for approximately 5 seconds during which condensate is drained.

Approx. Quarts Per Discharge Cycle

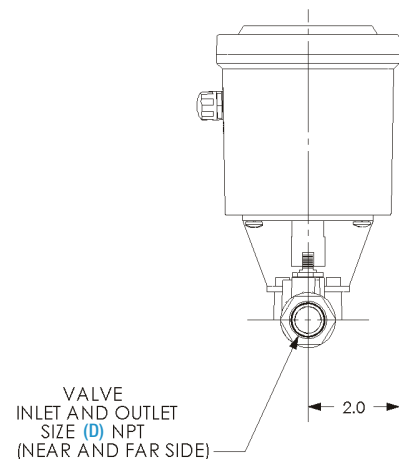
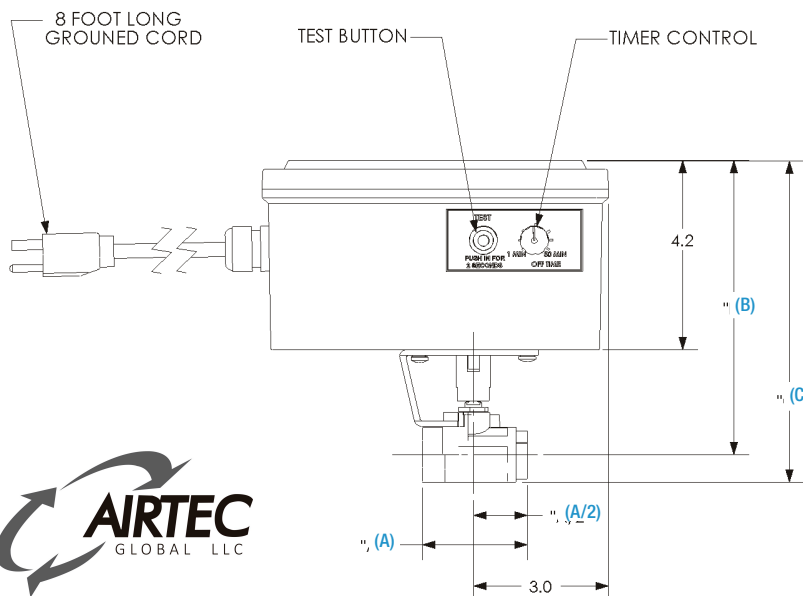
Operating Pressure	1/4"	1/2"	3/4"	1"
50	2	3.7	6.9	12.7
75	2.4	4.4	8.3	15.1
100	2.7	5	10	17.2
125	3	5.6	10.5	19.3
150	3.2	6	11.2	20.6

Ordering Information

Stock No.	Description	(A)	(B)	(C)	(D)
BVD-2B14 / 2S14	1/4" NPT Bronze / Stainless Steel Valve	2.25"	6.50"	6.50"	1/4"
BVD-2B12 / 2S12	1/2" NPT Bronze / Stainless Steel Valve	2.25"	6.50"	7.00"	1/2"
BVD-2B34 / 2S34	3/4" NPT Bronze / Stainless Steel Valve	3.00"	6.75"	7.50"	3/4"
BVD-2B10 / 2S10	1" NPT Bronze / Stainless Steel Valve	3.25"	7.25"	7.75"	1"

Dimensions

See (A), (B), (C), (D) Dimensions in illustration below



AIRTEC GLOBAL LLC
1100 NW Loop 410 Ste. 764
San Antonio, TX 78213
Phone: (210) 366-8805
Email: support@airtec.global
http://airtec.global

All design specifications are subject to change without notice.

© 2017 FGA-026-072817-02