



Timer Drain

Electric Operated Condensate Drain

BVA-Drain

A non-clogging ball valve straight-through flow path design for higher flow and pressures.



Shown with Bronze Valve.
Also Available in Stainless Steel.

Removes condensate,
(oil and water) from
compressed air systems.

Features

- Low Cost
- Straight-through flow pattern
- Robust seat and seal design
- Available in several sizes
- NEMA 4X enclosure
- Available in different pressure ratings up to 2000 PSI
- Versatile for many applications

Benefits

- Alternative to manual drains
- Prevents clogging
- Provides extended service on the most demanding applications
- Can be used on wide range of flows
- Rugged and non-corrosive
- Can be used on wide range of applications
- Can be used for filters, air receivers, air dryers, separators and aftercoolers

Model No. BVA Series

Specifications

Inlet/Outlet: 1/4" NPT / 1/2" NPT /
3/4" NPT / 1" NPT

Drain Cycle Frequency: External signal

Drain Cycle Time: 5 secs.

Pressure: Bronze – up to 600 PSI
Stainless Steel – up to 2000 PSI

Power: 115 V, 60 Hz., 1 Ph.

Weight: 6 lbs.

NEMA 4X Enclosure: 6" X 3" x 3"

How It Works

The BVA Series is a heavy duty condensate or process drain consisting of a gear-motor operated ball valve. A drain cycle is initiated externally by a signal from a timer, PLC, or simple push button. The signal energizes the gear motor to rotate the ball valve 180° from closed to open and back to a closed position. The drain cycle lasts for approximately 5 seconds during which condensate is drained and then the drain is returned to a closed, stand-by condition.

Approx. Quarts Per Discharge Cycle

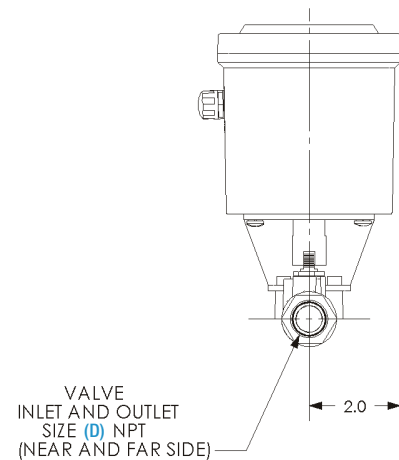
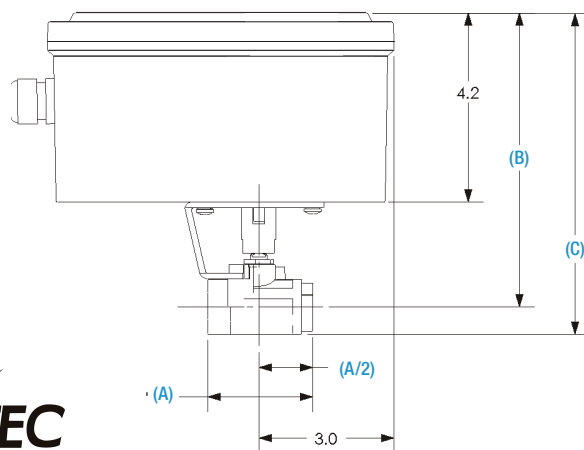
| Operating Pressure | 1/4" | 1/2" | 3/4" | 1" |
|--------------------|------|------|------|------|
| 50 | 2 | 3.7 | 6.9 | 12.7 |
| 75 | 2.4 | 4.4 | 8.3 | 15.1 |
| 100 | 2.7 | 5 | 10 | 17.2 |
| 125 | 3 | 5.6 | 10.5 | 19.3 |
| 150 | 3.2 | 6 | 11.2 | 20.6 |

Ordering Information

| Stock No. | Description | (A) | (B) | (C) | (D) |
|-----------------|---|-------|-------|-------|------|
| BVA-2B14 / 2S14 | 1/4" NPT Bronze / Stainless Steel Valve | 2.25" | 6.50" | 6.50" | 1/4" |
| BVA-2B12 / 2S12 | 1/2" NPT Bronze / Stainless Steel Valve | 2.25" | 6.50" | 7.00" | 1/2" |
| BVA-2B34 / 2S34 | 3/4" NPT Bronze / Stainless Steel Valve | 3.00" | 6.75" | 7.50" | 3/4" |
| BVA-2B10 / 2S10 | 1" NPT Bronze / Stainless Steel Valve | 3.25" | 7.25" | 7.75" | 1" |

Dimensions

See (A), (B), (C), (D) Dimensions in illustration below



AIRTEC GLOBAL LLC
1100 NW Loop 410 Ste. 764
San Antonio, TX 78213
Phone: (210) 366-8805
Email: support@airtec.global
http://airtec.global

All design specifications are subject to change without notice.

© 2017 FGA-025-072817-02