



Electric Operated Condensate Drain

BVD-Drain

A non-clogging ball valve with a solid state timer and a straight-through flow path design.



Shown with Stainless Steel Valve.
Also Available in Bronze.

Removes condensate,
(oil and water) from
compressed air systems.

Features

- Solid state timer
- Straight-through flow pattern
- Robust seat and seal design
- Test button
- Available in several sizes
- NEMA 4X enclosure
- Available in different pressure ratings up to 2000 PSI
- Versatile for many applications

Benefits

- Easy adjustability of drain cycle frequency
- Prevents clogging
- Provides extended service on the most demanding applications
- Quick check of drain operation
- Can be used on wide range of flows
- Rugged and non-corrosive
- Can be used on wide range of applications
- Can be used for filters, air receivers, air dryers, separators and aftercoolers

Model No. BVD Series

Specifications

Inlet/Outlet: 1/4" NPT / 1/2" NPT /
3/4" NPT / 1" NPT

Drain Cycle Frequency: 5 secs – 50 mins

Drain Cycle Time: 5 secs

Pressure: Bronze – up to 600 PSI
Stainless Steel – up to 2000 PSI

Grounded Cord: 8 ft.

Power: 115 V, 60 Hz., 1 Ph.

Weight: 6 lbs.

NEMA 4X Enclosure: 6" X 3" x 3"

How It Works

The BVD Series is a heavy duty condensate or process timer drain consisting of a gear-motor operated ball valve with a solid state timer and straight-through flow path design. The solid state timer module initiates a drain cycle by energizing the gear motor to rotate the ball valve 180° from closed to open and back to a closed position. The drain cycle lasts for approximately 5 seconds during which condensate is drained.

Approx. Quarts Per Discharge Cycle

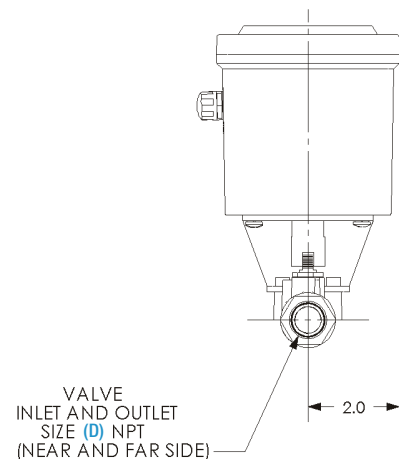
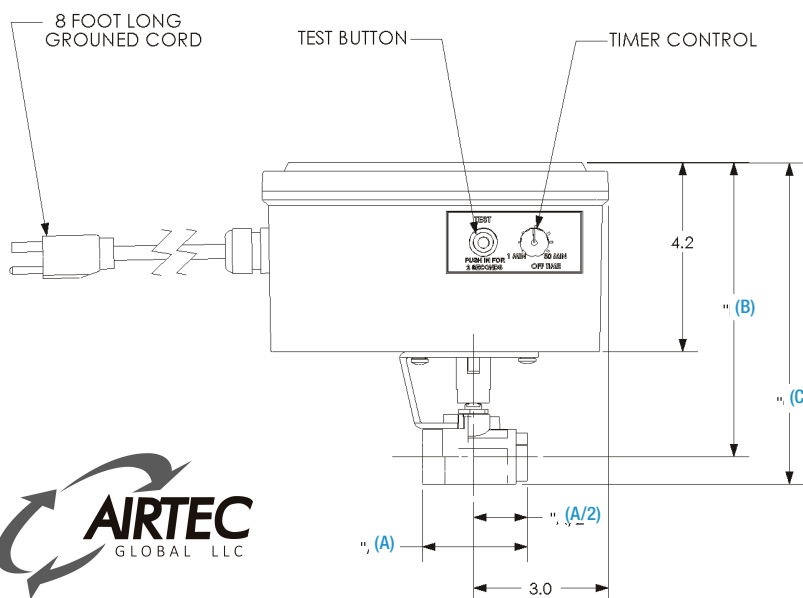
Operating Pressure	1/4"	1/2"	3/4"	1"
50	2	3.7	6.9	12.7
75	2.4	4.4	8.3	15.1
100	2.7	5	10	17.2
125	3	5.6	10.5	19.3
150	3.2	6	11.2	20.6

Ordering Information

Stock No.	Description	(A)	(B)	(C)	(D)
BVD-2B14 / 2S14	1/4" NPT Bronze / Stainless Steel Valve	2.25"	6.50"	6.50"	1/4"
BVD-2B12 / 2S12	1/2" NPT Bronze / Stainless Steel Valve	2.25"	6.50"	7.00"	1/2"
BVD-2B34 / 2S34	3/4" NPT Bronze / Stainless Steel Valve	3.00"	6.75"	7.50"	3/4"
BVD-2B10 / 2S10	1" NPT Bronze / Stainless Steel Valve	3.25"	7.25"	7.75"	1"

Dimensions

See (A), (B), (C), (D) Dimensions in illustration below



AIRTEC GLOBAL LLC
1100 NW Loop 410 Ste. 764
San Antonio, TX 78213
Phone: (210) 366-8805
Email: support@airtec.global
http://airtec.global

All design specifications are subject to change without notice.

© 2017 FGA-026-072817-02