

PROTECTIVE COATINGS

EQUIPMENT SELECTION GUIDE

DEVILBISS

BINKS



BINKS
binks.com

DEVILBISS
devilbiss.com

finishingbrands.com



TABLE OF CONTENTS

Overview..... 2-3
 Spray Guns..... 4-10
 Spray Gun Accessories 7, 10-11
 Cups and Tanks 12-15
 Pumps and Pump Outfits..... 16-19
 Pump Accessories..... 20-21
 Vinyl Ester Pump Outfit..... 22
 CleanAir Air Control Equipment..... 23
 Low Pressure Air and Fluid Hose 24-25
 Spray Accessories..... 26-27

Selecting The Right Equipment

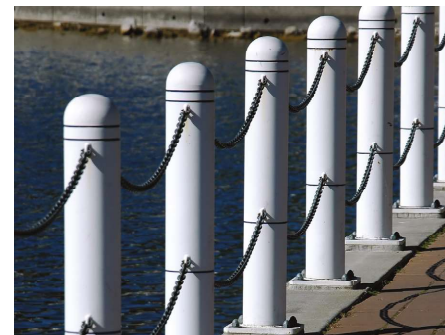


It's Critical to Use the Right Equipment for Each Application

Using the right equipment for each step of any spray finishing process is typically the difference between hitting quality, productivity and profitability targets – and not hitting them. Additionally, the ever increasing diversity of coatings dictate careful selection and proper use of equipment.

With nearly 220 years of collective leadership in the spray finishing industry, Binks and DeVilbiss continue to set the equipment standards other brands strive to achieve. Regardless of project type, new and varied coating materials, or other special requirements, Binks and DeVilbiss are dedicated to supporting you with a team of experts – Finishing Specialists, Equipment Design Engineers, Technicians, Trainers and Customer Service Professionals.

We're here to help you improve every aspect of your spray finishing operation – Higher Quality, Increased Productivity, New Cost-Efficiencies, Reduced Downtime, Environmental Compliance... and Improved Bottom-Line Results.



"Rusty"

Find Your Solutions

Customer Support and Technical Assistance

800-992-4657 Call Toll Free (USA/Canada)
888-246-5732 Fax Toll Free (USA/Canada)

MSDS and more info online

- bgk.com
- binks.com
- devilbiss.com
- ransburg.com
- finishingbrands.com

Ask Us About



Seeing Is Believing
 ONSITE DEMO/TRIAL PROGRAM



Spray Application Processes

ATOMIZATION TECHNOLOGY OPTIONS

Conventional, HVLP, LVMP, Air Assisted Airless and Airless are all types of Atomization technology, each has slightly different operating parameters.

Conventional

The most established method of air atomizing, used on spray guns for decades. This type uses high velocity air jets to produce a high atomization power which is very effective in breaking up high solids and high viscosity coatings. Air pressure exiting the air cap during use is typically 40-70 psi (2 to 5 bar) with typical air consumption of 6 to 25 cfm (170 to 700 l/min).

High Volume Low Pressure (HVLP)

HVLP uses higher volumes of air (11 to 30 cfm or 300 to 840 l/min) at low pressure (psi) to atomize the coating. HVLP provides high transfer efficiency and is limited by Government Environmental Legislation to a maximum of 10 psi (0.7 bar) atomizing pressure measured at the air cap.

Low Volume Medium Pressure (LVMP)

LVMP makes more energy available for the atomization process than HVLP, but delivers transfer efficiencies equivalent to those of HVLP. Air cap pressure is typically in the area of 20 to 45 psi (1.3 to 3 bar) while using 9 to 20 cfm (250 to 560 l/min) for atomization of coatings.

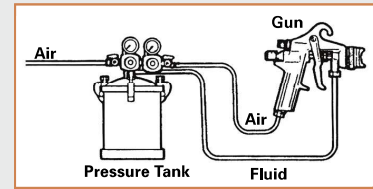
Air Assisted Airless

To maximize efficiency, the best features of air spray and airless atomization are combined in this technology. The pattern is formed by the spray tip at between 500 and 2,500 psi fluid pressure and a small amount of air pressure is used to adjust the size of the spray pattern and eliminate "tails". Air Assisted Airless provides fast application of materials, a soft spray that reduces fog overspray and bounce-back, and the ability to penetrate into recesses and cavities. This is especially important where intricate shapes require a consistent film build.

Airless

Fluid is atomized by high pressure (usually 3,000 – 7,000 psi) and pushed through an orifice in the spray tip which is typically .015" - .035" in diameter. The shape of the orifice determines the shape and size of the spray pattern. With airless technology, the size of the atomized particle is larger than other spray methods and therefore typically not used for achieving fine finishes.

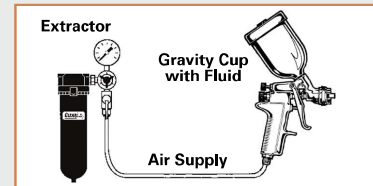
FLUID DELIVERY OPTIONS



Pressure-Feed

This option uses an external pressure source (pressure tank, piston pump, or diaphragm pump) to push fluid to the spray gun nozzle. Air and fluid are then mixed outside the nozzle to atomize the coating.

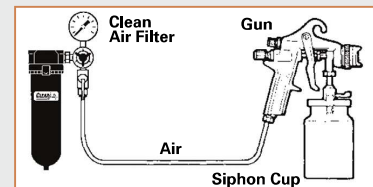
Advantages: This method delivers higher volumes of fluids than siphon and gravity-feed set-ups, and will spray a wider range of materials. It also enables independent control of fluid and air pressure.



Gravity-Feed

On Gravity-feed guns the cup is located above the gun. The force of gravity pushes the fluid into the gun.

Advantages: This method offers quick color changes and convenience on small jobs or touch up applications. Gravity guns are able to use all of the coating – reducing waste.



Siphon-Feed

Siphon-feed hookups use vacuum created at the nozzle to draw fluid from a cup.

Advantages: This fluid cup system offers quick material / color changes, easy clean-up on smaller jobs.



Atomization *Low Fluid Pressure Spray Guns*

DeVilbiss Model JGA & JGHV Spray Guns

The JGA standard-size manual spray gun is extremely versatile and rugged. The JGA sets the industry standard for high production performance. The JGHV has all of the great features of the JGA with the added benefit of being HVLP Compliant.



Features & Benefits:

- Plated-brass air caps
- Stainless steel fluid nozzles and needles
- Stainless steel fluid passages for complete material compatibility
- Comfortable "fit and feel" handle design

Viscosity Range: Low to high

Typical Industrial Coatings: Primers, epoxies, urethanes, enamels, adhesives, abrasives, textured coatings, high solids, and zinc rich materials.

DeVilbiss Model MBC Conventional Spray Gun

The MBC spray gun combines a drop forged aluminum body with a forged removable spray head which is ideal for quick cleaning and applications which require fast nozzle changes. Special models with set-ups designed to spray solvent and water-borne zinc coatings.



Features & Benefits:

- Plated brass air caps
- Stainless steel fluid nozzles and needles
- Removable spray head with nickel plated brass fluid passages

Viscosity Range: Low to high

Typical Industrial Coatings: Lacquers, primers, epoxies, urethanes, enamels, adhesives, high solids, and zinc rich materials.

Binks Model 2100 Conventional Spray Gun

The Binks Model 2100 is a full sized high production gun. Designed and built with the professional finisher in mind, the 2100 Gun will handle virtually all industrial and protective coatings.



Features & Benefits:

- Wide selection of air nozzles and stainless steel fluid nozzles and needles
- All stainless steel fluid passages for complete material compatibility

Viscosity Range: Low to high

Typical Industrial Coatings: Lacquers, primers, epoxies, urethanes, enamels, adhesives, abrasives, textured coatings, non-stick coatings, high solids, and zinc rich materials.

DeVilbiss Model EGA & EGHV Touch Up Guns

The EGA is the spray gun of choice for touch up, shading and detail decorating. This conventional touch up gun provides precise control for any type of delicate spray finishing applications. EGHV has all the features of the EGA and is HVLP compliant.



Features & Benefits:

- Stainless steel tip and needle
- Forefinger trigger to enhance operator control
- Long needle taper to make detail work easy

Typical Industrial Coatings: Water based paints, enamels, urethanes, stains and varnishes, inks and dyes, and lacquers

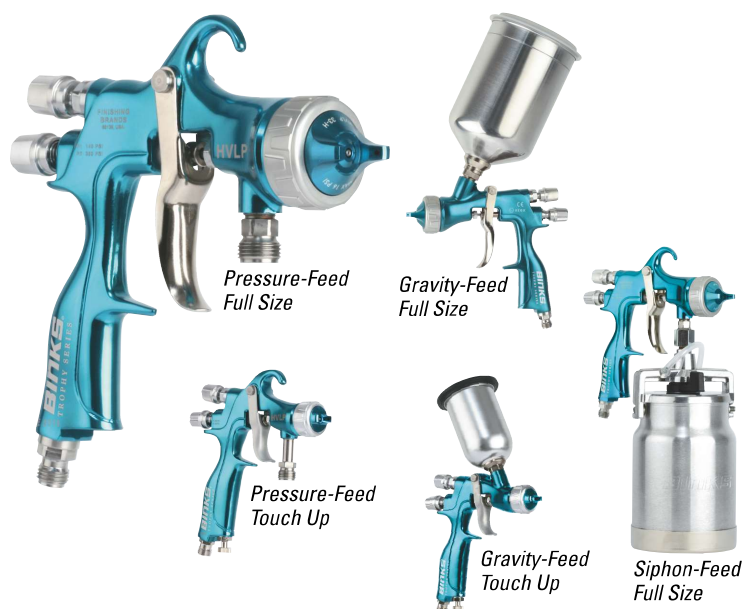
Part No.	Gun Body	Brand	Model	Technology	Material Compatibility	Material Feed	CFM @ 30 psi	Max Pattern Size (in)	Fluid Nozzle	Fluid Nozzle (mm / in)	Air Nozzle	Fluid Needle Material
JGA-510-704E	Full Size	DeVilbiss	JGA	Conventional	Medium - Heavy	P	21*	10-12	E	1.8 / .070	704	SS **
JGA-510-64HDD	Full Size	DeVilbiss	JGA	Conventional	Medium - Heavy	P	22*	14	D	2.2 / .086	64HD	SS **
JGA-510-57D	Full Size	DeVilbiss	JGA	HVLP	Medium - Heavy	S / P	11	9-11	D	2.2 / .086	57	SS **
JGHV-531-46FF	Full Size	DeVilbiss	JGHV	HVLP	Medium - Heavy	P	22.5	11	FF	1.4 / .055	46MP	SS **
JGHV-531-83D	Full Size	DeVilbiss	JGHV	HVLP	Heavy	P	26	13	D	2.2 / .086	83MP	SS **
JGHV-531-83E	Full Size	DeVilbiss	JGHV	HVLP	Medium - Heavy	P	26	13	E	1.8 / .070	83MP	SS **
MBC-510-64HDD	Full Size	DeVilbiss	MBC	Conventional	Medium - Heavy	P	22*	14	D	2.2 / .086	64HD	SS **
MBC-510-64HDE	Full Size	DeVilbiss	MBC	Conventional	Medium - Heavy	P	22*	14	E	1.8 / .070	64HD	SS **
MBC-ZINC-S ##	Full Size	DeVilbiss	MBC	Conventional	Medium - Heavy	P	22	14	D	2.2 / .086	64HD	SS **
MBC-ZINC-W ^^	Full Size	DeVilbiss	MBC	Conventional	Medium - Heavy	P	16	8-10	D	2.2 / .086	100L	SS **
2101-4307-9	Full Size	Binks	2100	Conventional	Medium - Heavy	P	7.9	7-11	66SS	1.8 / .070	66SD	SS ***
2101-5111-5	Full Size	Binks	2100	Conventional	Medium - Heavy	P	9.5	12	68SS	2.8 / .110	68PB	SS ***
EGA-503-390F	Touch Up	DeVilbiss	EGA	Conv	Light - Medium	S/P	3	3	F	1.0 / .039	390	SS
EGHV-531-397E	Touch Up	DeVilbiss	EGHV	HVLP	Light - Medium	S/P	8.8*	6	E	1.8 / .070	397	SS

Notes: • CFM @ 80 psi
 * CFM @ 50 psi
 ** UHMWPE and Carboly Tips and Needles are available for this model
 *** VT (Vitrous) set-up is available for this model
 S Siphon Feed

P Pressure Feed
 ## MBC-ZINC-S for Solvent-borne Zinc Coatings, has leather packings and heavy duty needle spring, 64HD Air Cap
 ^^ MBC-ZINC-W for Water-borne Zinc Coatings, has leather packings, heavy duty needle spring, Gti-100-L Delrin Air Cap and Gti-3 Delrin Retaining Ring



Atomization *Binks Trophy™ Low Pressure Spray Guns*



Application Versatility:

- **Sizes:** Full size and touch up
- **Spray Technologies:** HVLP, LVMP (Compliant), Conventional
- **Gun Body Colors:** Blue (HVLP) / green (LVMP) / brown (Conventional)
- **Fluid Nozzles and Needle Set-Ups:** Tuff tip hardened stainless steel nozzles, tungsten carbide, plastic tip needles, and feathering needles
- Available in pressure-feed, gravity-feed, and siphon-feed

Ergonomic Design:

- Lightweight
- Curved handle for increased comfort
- Oversized knobs and air cap ring for easy adjustments and maintenance
- Soft trigger pull for reduced stress and fatigue
- Smooth trigger pull for providing no-kickback during spraying

Robust Engineering:

- Large stainless steel fluid passages for compatibility with industrial coatings
- Long lasting brass inserts and seals
- Hardened stainless steel fluid nozzles
- Large air passages
- Anodized forged aluminum gun body provides durability

Part No.	Gun Body	Brand	Model	Technology	Material Compatibility	Material Feed	CFM @ 30 psi	Max Pattern Size (in)	Fluid Nozzle	Fluid Nozzle (mm / in)	Air Nozzle	Fluid Needle Material
2465-16CN-12S0	Full Size	Binks	Trophy	Conventional	Thin / Med / Heavy	S / P	8	12	16	1.6 / .063	12C	SS
2465-26CN-14V0	Full Size	Binks	Trophy	Conventional	Heavy - Zinc Coatings	P	17	14	26	2.6 / .102	14C	Tungsten Carbide
2465-16LV-23S0	Full Size	Binks	Trophy	LVMP	Medium - Heavy	P	11	14	16	1.6 / .063	23L	SS
2465-18LV-23SS	Full Size	Binks	Trophy	LVMP	Thin - Medium	S	11	8	18	1.8 / .070	23L	SS
2465-18LV-23SG	Full Size - Gravity	Binks	Trophy	LVMP	Medium - Heavy	G	11	8	18	1.8 / .070	23L	SS
1465-14LV-B1S	Touch Up	Binks	Trophy	LVMP	Heavy	P	5	5-7	14	1.4 / .055	B1	SS
2465-18HV-32S0	Full Size	Binks	Trophy	HVLP	Medium - Heavy	P	16	18	18	1.8 / .070	32H	SS
2465-18HV-32SS	Full Size	Binks	Trophy	HVLP	Thin - Medium	S	16	6-9	18	1.8 / .070	32H	SS
2466-18HV-32SG	Full Size - Gravity	Binks	Trophy	HVLP	Medium	G	18	12	18	1.8 / .070	32H	SS
1465-14HV-C1S	Touch Up	Binks	Trophy	HVLP	Medium - Heavy	P	8	5-7	14	1.4 / .055	C1	SS

Notes: S Siphon Feed
G Gravity Feed
P Pressure Feed



Atomization *SprayVantage Low Pressure Spray Guns*

SprayVantage Pro Series

Binks SprayVantage Pro Series spray guns offer great value to professional painters, contractors and do-it-yourselfers alike. Available in both conventional and HVLP models, these spray guns are used in pressure-feed, gravity-feed and siphon-feed applications. The SprayVantage3 portable spray finishing system includes a 3 hp air compressor on a cart, 2.8 gallon ASME rated pressure tank, 25' of air and fluid hose and your choice of two guns, SV100 or the 2100 gun with Multi-Color set-up.



CHOOSE YOUR SPRAY GUN

	LIGHT			MEDIUM			HEAVY					
	Sealers	Wash Primers	Stain	Nitro Lacquer	E-poxies	Varnishes	Thinned Latex	Topcoat-Lacquer	Latex	Enamels	Polyurethane	Contact Adhesives
SV100 Siphon-Feed Conventional Spray Gun w/Cup PART NO.: 98-3161 • Tips included: 1.8mm Recommended 10-15 CFM / 30-45 psi	■	■	■	■	■	■	■	■	■	■	■	■
SV100 HVLP Gravity-Feed Spray Gun w/Cup PART NO.: 7042-6931-4 TIPS INCLUDED: 1.4mm, 2.0mm Recommended 10-14 CFM / 20-27 psi	■	■	■	■	■	■	■	■	■	■	■	■
SV100 HVLP Pressure-Feed Spray Gun Only PART NO.: 7041-6931-1 TIPS INCLUDED: 1.1mm, 1.4mm, 1.8mm Recommended 10-14 CFM / 20-27 psi	■	■	■	■	■	■	■	■	■	■	■	■
SV100 2 Qt. Outfit: HVLP Pressure-Feed PART NO.: 98-3162 TIPS INCLUDED: 1.1mm, 1.4mm Recommended 10-14 CFM / 20-27 psi	■	■	■	■	■	■	■	■	■	■	■	■
SV100 2 Gal. Outfit: HVLP Pressure-Feed PART NO.: 98-3163 TIPS INCLUDED: 1.1mm, 1.4mm Recommended 10-14 CFM / 20-27 psi	■	■	■	■	■	■	■	■	■	■	■	■
SprayVantage3™ Fine Finishing Systems PART NO.: 98-3164 • SV100* PART NO.: 98-1266 • Multi-Color with 2100 Gun (*690 Air cap is recommended for SV100 Gun)	■	■	■	■	■	■	■	■	■	■	■	■



Atomization Specialty Low Pressure Spray Guns

Binks Model 7E2

Designed for spraying heavy bodied and filled materials such as non-skid, roof coatings, block fillers and others.



- Extra-Large fluid passages for maximum fluid flow
- Durable drop forged, plated brass spray head
- Adjustable floating needle valve and stainless air valve cartridges
- Comfortable hardened steel, four finger trigger

Standard Set-Ups Available:

- 6102-2900-7 7E2 GUN 44SS-1/4
- 6102-3525-9 7E2 GUN 46SS-391
- 6102-3600-7 7E2 GUN 45SS-1/4
- 6102-3601-7 7E2 GUN 45SS-3/8
- 6102-3602-3 7E2 GUN 45SS-3/8F

Specifications:

- **Air Inlet:** 3/8" nps (m)
- **Fluid Inlet:** 3/4" nps (m)
- **Weight:** 30 oz.

Service Bulletin: 77-1341

Binks Model 2100GW

The Binks 2100GW spray gun is a hand-held, spray gun for limited application of two-component materials such as gel-coats or polyesters. The trigger action stops and starts spraying both materials simultaneously.



Standard Set-Ups Available:

- 2100GW Gun w/66SSx66SD (2100-4307-9GW)
- 2100GW Gun w/68SSx68PB (2100-5111-5GW)

Specifications:

- **Air Inlet:** 1/4" nps (m)
- **Fluid Inlet:** 3/8" nps (m)
- **Weight:** 24 oz.

Service Bulletin: 77-2936



Gun Extensions

Nozzle extensions are designed to reach out of the way places, such as the inside of large and small diameter pipe. There are models for general use and for specific applications. Extensions are available for both air atomizing and airless spray guns. See page 10 for airless extensions.

	Clearance Diameter (inches)	Nozzle Set-Up	Standard Lengths (inches)	For Gun Model	Part Sheet Reference (77-)
EA	1 3/4	Std. External or Internal Mix*	9, 15, 24, 36 ◆	2100, 95, 95A, 95AR	1368, 2659, 2660
EAX	7/8	External or Internal Mix*	◆	2100, 95, 95A	1369, 2659, 2660
EB	3	Std. External or Internal Mix* ▼	6, 12, 15, 18, 24, ◆	2100, 21, 95, 95AR	1370, 2659, 2660
EBX	1 7/8	External or Internal Mix*	◆	2100, 95, 95A	1371, 2659, 2660
EN	2 1/2	Std. External or Internal Mix* ▼	6, 12, 18, 36, 48, ◆	2100, 21, 95, 95A, 95AR	1372, 2659, 2660
ENX	1 3/4	External or Internal Mix*	◆	2100, 95, 95A	1373, 2659, 2660
ERX	1 7/8	External or Internal Mix*	◆	2100, 95, 95A	1374, 2659, 2660
C	3/4	Circular (360°)*	6, 12, 18, 24, 36, 48, 60, 72, 84, ◆	2100, 21	1367, 2082, 2659, 2660
HC	90°				
SC	3/8	Circular (360°)*	9, 12, 18, 27, 33, 39, 51, 63, 75, 87, ◆	2100, 21, 95, 95A	1328, 2659, 2660
SA	7/16	Round (Not Adjustable)	◆	2100, 95, 95A	1328, 2659, 2660
CVT	1 1/8	Same as for Models C and HC Except Nozzles have Tungsten Carbide Inserts*	◆	2100, 95, 95A	2083, 2659, 2660
HCVT	90°				
52-1382	1 3/8	Special for Pipe Interior Circular 360°	1/4" Pipe Not Included	Gun Not Required	—
52-2410	3/4	Circular 360°	5/16" I.D. Fluid Hose and Clamps Not Included	2100, 95	—

*See Nozzle and Needle Selection in the Conventional Spray Guns & Accessories Guide

KEY CODE: ■ = High volume material flow.

◆ = Any length not shown made to order (custom).

▼ = Extension is available with stainless steel fluid nozzle having tungsten carbide insert.

Specify "VT" when ordering. See nozzle setup table.



Atomization Specialty Spray Guns

Automatic Airless Spray Guns - High Pressure



Binks Model 550

Automatic airless gun for spraying protective coatings such as lacquers, enamels, waterbased emulsions, mold release agents, and sound deadeners. Spray gun equipped with tip guard, stainless steel fluid passages, and forged aluminum spray gun body. Actuating air pressure is 40-60 psi. The material inlet may be installed in any of four positions to facilitate fluid hose connection.

Binks Model 570

Same as Model 550, but constructed with larger fluid inlet opening and fluid passages. Used for spraying heavy materials such as mastics and undercoatings.

Spray tip is not included, order separately.
(Maximum operating pressure is 3000 psi.)

Specifications:

- **Part Number:** Model 550 - 6700-000-5, Model 570 - 6700-0000-7
- **Air Inlet:** Model 550 - 1/4" nps (m), Model 570 - 1/4" nps (m)
- **Fluid Inlet:** Model 550 - 1/4" nps (m), Model 570 - 1/2" npt (f)
- **Weight:** Model 550 - 24 oz., Model 570 - 40 oz.

Service Bulletin: Model 550 - 77-2120, Model 570 - 77-2122



Binks Model 30 Bead Gun (& Model 30A High Flow)

Designed for laying out glass bead during a line stripping operation. Use on hand line strippers or moving trucks.

- Will spread glass beads at a rate of 20 lbs. per minute
- Pneumatically operated using a minimum of 50 psi
- Furnished with four nozzle inserts with orifice diameters of 7/32", 1/4", 9/32" and 11/32"

Specifications:

- **Part Number:**
Standard Model 30 Bead Gun - 6279-0000-1
Model 30 Bead Gun with Big Bore - 6279-0000-5
- **Weight:** 6 lbs. 1 oz.

Service Bulletin: 77-2151

Binks Model 140B

Use for spraying solvents to clean engines and other machinery.



- Features a rugged brass body
- Ten inch nozzle/tube length for hard to reach places
- Includes flexible tubing with hose clamp for siphoning solvent from a container

Specifications:

- **Part Number:** 6530-000-1
- **Air Inlet:** 1/4" NPS (m)
- Requires 14 CFM air at 50 psi

Service Bulletin: 77-1191

Model 190 Air Blow Gun

Use for dusting, drying, removing chips, etc. from surfaces.



- Pistol grip style with aluminum die cast body
- Nozzle part number 60-40 (complies with paragraph 50-204 Walsh-Healy Act and OSHA where air inlet does not exceed 100 psi with 1/16" orifice is standard)
- Also available with part number 60-41 5-1/2" extension (optional)

Specifications:

- **Part Number:** 6580-000-1
- **Air Inlet:** 1/4" NPT (m)
- **Air Consumption:** 3.5 CFM at 50 psi

Service Bulletin: 77-1108



Atomization *Medium & High Pressure Spray Guns*



Binks Airless 75 & 75M Spray Guns

Operators will feel the difference when spraying the lightweight Airless 75 spray guns due to the contoured ergonomic handle design.

- The forged aluminum gun body is made to outlast the competition
- Extra wide stainless steel fluid passageways will accommodate a wide range of coatings
- Sprays high solids and heated coatings up to 7,500 psi with optional heat guard
- Two-finger triggers with ergonomic handle to reduce operator fatigue
- Unique needle design keeps the spring out of the fluid path
- 75M spray gun features a larger 3/8" inlet for spraying fire retardants and fibrous coatings, and includes a high pressure swivel fitting
- Thick-walled stainless steel fluid tube for abrasive coatings

Binks AA1600 & AA4400M Air Assisted Airless Spray Guns

- Easy to remove "IN-LINE" needle reduces repair time
- One tool trigger removal speeds up assembly and disassembly
- Adjustable packing can be tightened without disassembly
- Lightweight gun and ergonomic handle reduce operator stress and fatigue
- Anodized aluminum air caps resist corrosion
- HVLP or LVMP Technologies provide a wider choice of spray options
- Unique Twist Tip option quickly and easily removes clogs
- Easily adjustable fan pattern from control knob at back of gun
- **AA1600 with UHMW Seat** is ideal for applications spraying low to medium viscosity coatings at less than 1600 psi
- **AA4400M with Tungsten Carbide Seat** is best for high viscosity fluids and heavy industrial applications
- A wide variety of both twist and flat tip sizes are available for spraying many different types of coatings

Part No.	Fluid Hose Connection	Brand	Model	Technology	Diffuser	Max Fluid Pressure Rating (psi)	Tips Used	Air Cap	CFM @ psi	Max Pattern Size (in)
0811-7500-1	SS Fluid Tube	Binks	Airless 75	Airless	Three Hole	7500	Twist Tip	—	—	See Tip Chart*
0811-7500-2	Direct Connect	Binks	Airless 75	Airless	Three Hole	7500	Twist Tip	—	—	See Tip Chart*
0811-7500-3	Direct Connect	Binks	Airless 75	Airless	Single Hole	7500	Twist Tip	—	—	See Tip Chart*
0811-7500-4	Direct Connect	Binks	Airless 75M	Airless - For Heavy / Filled Material	Single Hole	7500	Twist Tip	—	—	See Tip Chart*
0909-1600-HF0000	SS Fluid Tube	Binks	AA-1600M	Air Assist Airless	Single Hole	1600	Flat Tip	HVLP	8.3@14	See Tip Chart*
0909-1600-HT0000	SS Fluid Tube	Binks	AA-1600M	Air Assist Airless	Single Hole	1600	Twist Tip	HVLP	8.3@14	See Tip Chart*
0909-4400-HF0000	SS Fluid Tube	Binks	AA-4400M	Air Assist Airless	Single Hole	4400	Flat Tip	HVLP	8.3@14	See Tip Chart*
0909-4400-HT0000	SS Fluid Tube	Binks	AA-4400M	Air Assist Airless	Single Hole	4400	Twist Tip	HVLP	8.3@14	See Tip Chart*
0909-4400-LF0000	SS Fluid Tube	Binks	AA-4400M	Air Assist Airless	Single Hole	4400	Flat Tip	LVMP	13@30	See Tip Chart*
0909-4400-LT0000	SS Fluid Tube	Binks	AA-4400M	Air Assist Airless	Single Hole	4400	Twist Tip	LVMP	13@30	See Tip Chart*

Note: * See Tip Charts on page 10. The above part numbers do NOT include tips. Order tips separately.



Atomization Medium & High Pressure Spray Guns

TWIST TIP & FLAT TIP ORDERING CHART						
Orifice Size	Fan Pattern Size (in.)	Twist Tip Part No.	Flat Tip Part No. for Airless 550 & 570 Auto Guns	All 9- Series Tips- GPM Flow*	Flat Tip Part # (AA1600 & AA4400)	All 114- Series Tips- GPM Flow*
.007	6	9-307-75	—	0.050	—	—
.009	6	9-309-75	—	0.090	—	—
.009	8	9-409-75	—	0.090	—	—
.009	10	9-509-75	—	0.090	—	—
.011	6	9-311-75	—	0.120	—	—
.011	8	9-411-75	9-1170	0.120	—	—
.011	10	9-511-75	9-1170	0.120	—	—
.011	12	9-611-75	9-1180	0.120	—	—
.013	6	9-313-75	—	0.180	—	—
.013	8	9-413-75	—	0.180	—	—
.013	10	9-513-75	9-1360	0.180	—	—
.013	12	9-613-75	9-1360	0.180	—	—
.013	14	9-713-75	9-1380	0.180	—	—
.015	6	9-315-75	—	0.240	114-01506	0.120
.015	8	9-415-75	9-1550	0.240	114-01508	0.120
.015	10	9-515-75	9-1550	0.240	114-01510	0.120
.015	12	9-615-75	9-1560	0.240	114-01512	0.120
.015	14	9-715-75	9-1590	0.240	114-01514	0.120
.015	16	—	9-1590	0.240	114-01516	0.120
.015	18	—	—	—	114-01518	0.120
.017	6	—	—	—	114-01706	0.160
.017	8	9-417-75	—	0.310	114-01708	0.160
.017	10	9-517-75	—	0.310	114-01710	0.160
.017	12	9-617-75	—	0.310	114-01712	0.160
.017	14	9-717-75	—	0.310	114-01714	0.160
.017	16	—	—	—	114-01716	0.160
.017	18	—	—	—	114-01718	0.160
.018	10-12	—	9-1840	0.330	—	—
.018	12-14	—	9-1860	0.330	—	—
.019	6	—	—	—	114-01906	0.190
.019	8	9-419-75	—	0.380	114-01908	0.190
.019	10	9-519-75	—	0.380	114-01910	0.190
.019	12	9-619-75	—	0.380	114-01912	0.190
.019	14	—	—	—	114-01914	0.190
.019	16	—	—	—	114-01916	0.190
.019	18	—	—	—	114-01918	0.190
.021	10	9-521-75	—	0.470	114-02110	0.240
.021	12	9-621-75	—	0.470	114-02112	0.240
.021	14	—	—	—	114-02114	0.240
.021	16	—	9-2180	0.470	114-02116	0.240
.021	18	—	9-2180	0.470	114-02118	0.240
.023	10	9-523-75	—	0.570	—	—
.023	12	9-623-75	—	0.570	—	—
.024	10	—	—	—	114-02410	0.310
.024	12	—	—	—	114-02412	0.310
.024	14	—	—	—	114-02414	0.310
.024	16	—	—	—	114-02416	0.310
.024	18	—	—	—	114-02418	0.310
.025	10	9-525-75	—	0.670	—	—
.025	12	9-625-75	—	0.670	—	—
.026	12-14	—	9-2640	0.690	—	—
.027	10	—	—	—	114-02710	0.385
.027	12	9-627-75	—	0.740	114-02712	0.385
.027	14	—	—	—	114-02714	0.385
.027	16	—	—	—	114-02716	0.385
.027	18	—	—	—	114-02718	0.385
.035	8	9-435-75	—	1.31	—	—
.043	12-14	—	9-4340	1.60	—	—

*Note: All tip flow rates measured @ 500 psi water pressure

Airless Gun Extensions (Use on Airless 75 & 75M Spray Guns)



- Used to extend your reach
- Fluid is shut off at the front of the gun
- Fits Airless 75 and 75M Airless spray guns
- Use 49-1834 adapter to use on Airless 1 spray guns
- Use 52-5207 Airless Swivel Head for angular spray
- Extension does not include airless tip or tip guard (order separately)

52-5203	10"	3500 psi	Airless Tip Extension
52-5204	15"	3500 psi	Airless Tip Extension
52-5205	20"	3500 psi	Airless Tip Extension
52-5206	30"	3500 psi	Airless Tip Extension
52-5208	36"	7500 psi	Airless Tip Extension
52-5209	60"	7500 psi	Airless Tip Extension

Accessories

TIP ACCESSORIES			
Part No.	Description		
54-5788-K5	60 Mesh* (Kit of 5)		New Mesh Filters Available in 2 Sizes
54-5789-K5	100 Mesh* (Kit of 5)		
72-2332	Fluid Inlet Swivel (1/4"m x 1/4"r)		
54-5830-K3	3/8" Air Inlet Push in Tube Fittings		
54-5799-K	Tungsten Carbide Seat Flat Tip		
54-5832-K	Tungsten Carbide Seat Twist Tip		
54-5797-K	LVMP Air Cap Flat Tip		
54-5798-K	LVMP Air Cap Twist Tip		
AIRLESS 75 ACCESSORIES			
Part No.	Description		
72-2332	Micro Swivel 1/4"m x 1/4"r (550 bar)		
72-2333	Micro Swivel 3/8"m x 1/4"r (550 bar)		
72-2340	H.P. Swivel with Inlet Filter (60 Mesh)		
72-2341	H.P. Swivel with Inlet Filter (100 Mesh)		
54-1836	60 Mesh Filter		
54-1835	100 Mesh Filter		
72-2339	High Pressure "Y" Block (7250 psi Max)		
54-7527	Heat Guard (Accessory)		

*60 mesh filters come standard with all guns.

Specifications

AIRLESS 75		
Max. Fluid Pressure:	7500 psi (517 bar)	
Gun Body:	Anodized Aluminum	
Max. Temperature:	175°F (79°C) (Heat Guard Required)	
Fluid Path:	Stainless Steel	
Fluid Inlet:	1/4" NPS (3/8" NPS for 75M)	
Gun Weight:	660g	
	AA1600M	AA4400M
Max. Fluid Pressure:	1600 psi / 110 bar	4400 psi / 303 bar
Max. Air Pressure:	100 psi / 6.8 bar	100 psi / 6.8 bar
Gun Body:	Forged Aluminum	Forged Aluminum
Fluid Path:	Stainless Steel / UHMW / Tungsten Carbide	Stainless Steel / Tungsten Carbide
Seat:	UHMW (Standard) / Tungsten Carbide (Optional)	Tungsten Carbide
Fluid Inlet:	1/4 NPS(m) Thread	
Air Inlet:	1/4 NPS(m) Thread	
Gun Weight: Without Tip, Air Cap, Guard	17.28oz / 490g	17.42oz / 494g
Part Sheet:	77-2921	77-2922



Atomization Spray Gun Accessories



Cleaning Brushes
3/8" Diameter Spiral Brushes
PART NO.: 42884-214-K5



Cleaning Brushes
5/8" Diameter Spiral Brushes
PART NO.: 42884-215-K10



Air Cap Cleaning Kit
Air Cap Cleaning Kit –
Includes 2 Small Spiral Brushes
and 1 Wire Tool on Key Ring
PART NO.: KK-5060



**Professional Gun
Cleaning Kit**
PART NO.: 192212



Wet Film Gauge
PART NO.: 237-707



Gun Wrench
PART NO.: WR-103



**Vinyl Coated Gun
Hook Assembly**
PART NO.: 192219



**Gunner's Mate
Spray Gun Lube**
PART NO.: 6-429



**Scrubs Hand
Cleaning Towels**
PART NO.: 29-3100



Gun Mounted Air Adjusting Valves
PART NO.: HAV-501 or HAV-500



Air Adjusting Valve (not shown)
PART NO.: P-H-5516



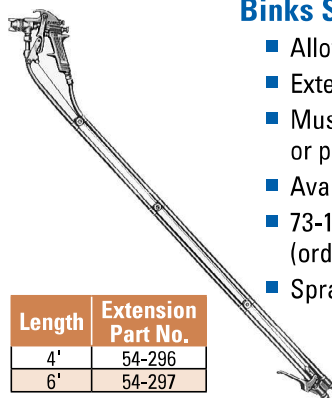
**Gun Mounted
Air Regulator w/ Gauge**
PART NO.: HARG-510



Whirlwind™ In-Line Air Filter
PART NO.: HAF-507-K12



Spray Gun Covers
4/Kit - PART NO.: GC-100-K42
48/Kit - PART NO.: GC-100-K48



Binks Spray Gun Extension Arm

- Allows painter to spray hard to reach places
- Extension arm fits spray gun models
- Must be pressure fed from pressure tank or pump
- Available in 4', 6' and 8' lengths
- 73-131 adapter required for some spray guns (order separately). See chart on the right
- Spray gun not included (order separately)

Length	Extension Part No.
4'	54-296
6'	54-297

SPRAY GUN COMPATIBILITY CHART	
Binks 2100 Spray Gun	73-131 Adapter Not Required
Binks Model 7 Spray Gun	73-131 Adapter Not Required
Binks 2001 Spray Gun	Requires 1 ea 73-131 Adapter
Binks Mach 1 HVLP Spray Gun	Requires 1 ea 73-131 Adapter
Binks Mach 1SL HVLP Spray Gun	Requires 1 ea 73-131 Adapter
Binks 95 Spray Gun	Requires 1 ea 73-131 Adapter
Binks 95SL Spray Gun	Requires 1 ea 73-131 Adapter
Binks SV100 Spray Gun	Requires 2 ea 73-131 Adapter
DeVilbiss MBC Spray Gun	73-131 Adapter Not Required
DeVilbiss JGA Spray Gun	Requires 1 ea 73-131 Adapter
DeVilbiss JGHV HVLP Spray Gun	Requires 1 ea 73-131 Adapter
DeVilbiss EXL Spray Gun	Requires 1 ea 73-131 Adapter
DeVilbiss FLG-III Spray Gun	Requires 1 ea 73-131 Adapter
DeVilbiss Compact Series	Requires 2 ea 73-131 Adapter



Fluid Delivery *Low Pressure Siphon / Gravity / Pressure Feed Cups*



81-540



54-6106



81-800 (Shown) / 81-810 / 81-820



80-294 (Shown) / 80-511



80-600 / 80-601 / 80-651 (Shown)



80-295

Part No.	Description	Brand	Material Feed	Wetted Parts	Fluid Regulation	Air Agitator	Liner Part No.
Sri-510	4 oz. Gravity Cup	Binks	Gravity	Acetyl (Composite)	No	No	None
81-381	8 oz. Gravity Cup	Binks	Gravity	Aluminum	No	No	None
54-6106	1 qt. Gravity Cup	Binks	Gravity	Aluminum	No	No	OMX-70-K48
81-540	8 oz. Siphon Cup	Binks	Siphon	Aluminum	No	No	None
81-800	1 qt. Drip Free Cup	Binks	Siphon	Aluminum	No	No	None
81-810	1 qt. Drip Free Cup	Binks	Siphon	Aluminum & Non-Stick	No	No	None
81-820	1 qt. Drip Free Cup	Binks	Siphon	Stainless Steel	No	No	None
80-294	1 qt. Pressure Cup	Binks	Pressure	Aluminum	Yes	No	None
80-511	1 qt. Pressure Cup	Binks	Pressure	Stainless Steel	Yes	No	None
80-295	2 qt. Steadi-Grip	Binks	Pressure	Aluminum	Yes	No	None
80-600	2 qt. Steadi-Grip	Binks	Pressure	Aluminum	Yes	No	80-356
80-601	2 qt. Steadi-Grip	Binks	Pressure	Aluminum	Yes	Recip Agitator	80-356
80-651	2 qt. Steadi-Grip	Binks	Pressure	Aluminum	Yes	Rotary Agitator	80-356

DEKUPSSM by DeVilbiss

CUP SYSTEMS

Part No.	Description	Qty.
DPC-601	24 oz. Disposable Cup / Lid	32
DPC-602	9 oz. Disposable Cup / Lid	32
DPC-600	34 oz. Disposable Cup / Lid	32
DPC-606	24 oz. Reusable Sleeve / Lid	2
DPC-607	9 oz. Reusable Sleeve / Lid	2
DPC-608	34 oz. Reusable Sleeve / Lid	2
DPC-503-K24	3 oz. Vented Disposable Cup / Lid	24

DEMO KIT

Part No.	Description	Qty.
DPC-654	24 oz. Demo Trial Kit with Adapter, Reusable Sleeve, Disposable Cups, Plugs, Filters	1

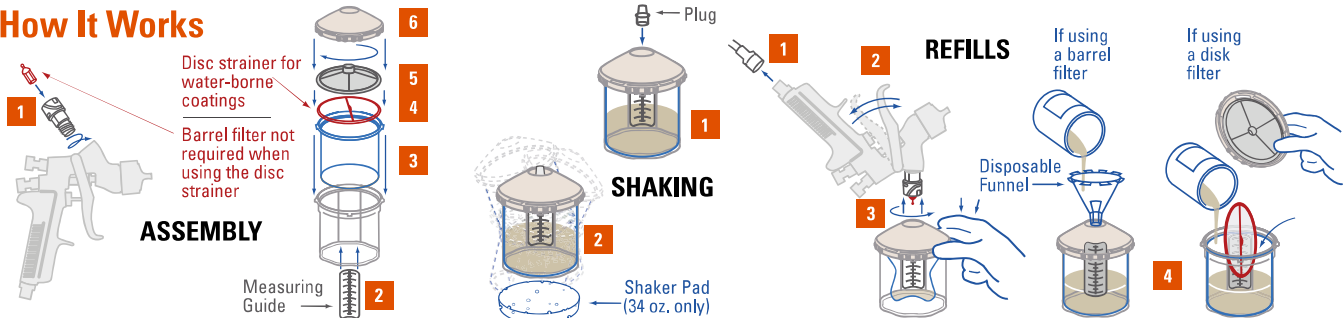
ADAPTERS

Part No.	Compatible Spray Gun	Qty.
DPC-31	Trophy, Compact, JGA, EXL, FLG, SV100, 95-G, Graco SM XT	1
DPC-23	Trophy Touch Up, SRI, Cub, Compact Mini	1
DPC-10	SV50 Full Size, Graco Finex, SATA SM NR2000, RP, Sata Jet 90 Series	1
DPC-11	SATA NR95, Iwata SM LPH 400 and W400	1
DPC-77	Graco SM AirPro	1
DPC-78	Kremlin, Iwata SuperNova, Iwata Air Guns, LPH300 and W300	1
DPC-500	Converter for 3M Adapters	1
DPC-502	SATA Mini Conversion Adapter	1
DPC-501	SATA 3000 / 4000	1
DPC-79-K1	Suction: Trophy Touch Up, Cub	1
DPC-69-K1	Suction Conversion Adapter	1
DPC-26	Accuspray SM Adapter	1

ACCESSORIES

Part No.	Description	Qty.
DPC-60-K10	Measuring Guide 9 oz.	10
DPC-59-K10	Measuring Guide 24 oz.	10
DPC-61-K10	Measuring Guide 34 oz.	10
DPC-65-K24	Disk Filters 125 Micron 9 oz. and 34 oz.	24
DPC-42-K24	Disk Filters 125 Micron 24 oz and 34 oz.	24
DPC-67-K24	Disk Filters 200 Micron 9 oz.	24
DPC-66-K24	Disk Filters 200 Micron 24 oz. and 34 oz.	24
DPC-27-K10	Barrel Filter - 200 Micron	10
DPC-17-K10	Barrel Filter - 300 Micron	10
DPC-14-K10	Barrel Filter - 600 Micron	10
DPC-22-K24	Disposable Funnels	24
DPC-6-K10	Orange Plugs	10
DPC-44	Cleaning Brush	1
DPC-8	Cleaning Bottle	1

How It Works



The DeKupsSM System is covered by U.S. Patent Nos. 6,820,824 and 7,374,111, owned by 3M Innovative Properties Co., additional U.S. Patent Nos. 7,380,680; 7,354,074; 7,353,964; 7,350,418; 7,344,040; 7,263,893; 7,165,732; 7,086,549.



Fluid Delivery Pressure Feed Tanks

Zinc-Plated & Stainless Steel 2.8 gal. Pressure Tanks

Binks ASME code PT tanks are a great choice in a 2 gallon pressure tank when spraying up to 80 psi of fluid pressure.

- Choose 83C tanks for solvent-borne coatings
- Choose 83Z tanks for water-borne coatings

Air Regulation	Fluid Agitation	Zinc-Plated Throughout, Including Lid, Wetted Parts & Tank Shell	Zinc-Plated Tank Shell, Stainless Steel Lid & Wetted Parts
Single Reg	No Agitation	83C-210	83Z-210
Double Reg	No Agitation	83C-220	83Z-220
Single Reg	Std. Agitation (D)	83C-211	83Z-211
Double Reg	Std. Agitation (D)	83C-221	83Z-221
Disposable Liner	—	PT-78-K10 or K60	PT-78-K10 or K60
Head Gasket	—	PT-33-1	PT-33-1
Service Bulletin	—	SBBI-21-044	SBBI-21-043

NOTE: The air regulator(s) and gauge(s) are shipped inside the tank to prevent damage in shipping. Bottom outlet kits are not available for 83C or 83Z pressure tanks.

(D) =Direct Drive Agitator: Uses direct mount air motor and air adjusting valve.



BINKS
w/ 2 Regulators
PART NO.: 83C-220



BINKS
w/ Agitator (2 Regulators)
PART NO.: 83C-221

Galvanized Steel 2, 5, 10 and 15 Gallon Pressure Tanks

Binks 183G- ASME Code Tanks give you application flexibility for most solvent-borne applications.



All 183G Tanks
Include Fill Port



BINKS
2 gal.
PART NO.: 183G-210



BINKS
5 gal.
PART NO.: 183G-523

ASME CODE GALVANIZED CARBON STEEL TANKS

Single Regulated	Double Regulated	Single Regulated with Extra Sensitive Regulator	Double Regulated with Extra Sensitive Regulator	Direct Drive Agitator	20:1 Gear Reduced Agitator	2 gal. Tank Part No.	5 gal. Tank Part No.	10 gal. Tank Part No.	15 gal. Tank Part No.
						183G-200	183G-500	183G-1000	183G-1500
■						183G-210	183G-510	183G-1010	183G-1510
■				■		183G-211	—	—	—
■					■	183G-213	183G-513	183G-1013	183G-1513
	■					183G-220	183G-520	183G-1020	183G-1520
	■			■		183G-221	—	—	—
	■				■	183G-223	183G-523	183G-1023	183G-1523
		■				183G-230	183G-530	183G-1030	183G-1530
		■		■		183G-231	—	—	—
		■			■	183G-233	183G-533	183G-1033	183G-1533
			■			183G-240	183G-540	183G-1040	183G-1540
			■	■		183G-241	—	—	—
			■		■	183G-243	183G-543	183G-1043	183G-1543



Fluid Delivery Pressure Feed Tanks

Stainless Steel Pressure Tanks

Binks 183S- ASME Code Tanks give you application flexibility with our best chemical resistance. Suitable for water-borne coatings.

ASME CODE STAINLESS STEEL TANKS									
Single Regulated	Double Regulated	Single Regulated with Extra Sensitive Regulator	Double Regulated with Extra Sensitive Regulator	Direct Drive Agitator	20:1 Gear Reduced Agitator	2 gal. Tank Part No.	5 gal. Tank Part No.	10 gal. Tank Part No.	15 gal. Tank Part No.
						183S-200	183S-500	183S-1000	183S-1500
■						183S-210	183S-510	183S-1010	183S-1510
■				■		183S-211	—	—	—
■					■	183S-213	183S-513	183S-1013	183S-1513
	■					183S-220	183S-520	183S-1020	183S-1520
	■			■		183S-221	—	—	—
	■				■	183S-223	183S-523	183S-1023	183S-1523
		■				183S-230	183S-530	183S-1030	183S-1530
		■		■		183S-231	—	—	—
		■			■	183S-233	183S-533	183S-1033	183S-1533
			■			183S-240	183S-540	183S-1040	183S-1540
			■	■		183S-241	—	—	—
			■		■	183S-243	183S-543	183S-1043	183S-1543



All 183S Tanks Include Fill Port



BINKS

5 gal.

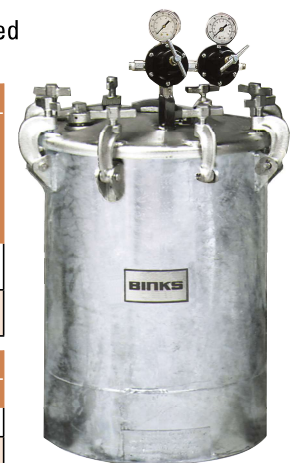
PART NO.: 183S-510

30 & 60 Gallon Tanks

Binks ASME code 30 and 60 gallon tanks are ideal for larger jobs such as line striping or supporting multiple guns. Choose galvanized units for most applications. Choose stainless steel fitted galvanized tanks for water-borne applications.

ASME CODE 30 & 60 GALLON TANKS					
Single Regulated	20:1 Gear Reduced Agitator	30 Gallon Tank in Galvanized Steel	60 Gallon Tank in Galvanized Steel	30 Gallon Shell in Galvanized Steel (for a Stainless Steel Fitted Tank)	60 Gallon Shell in Galvanized Steel (for a Stainless Steel Fitted Tank)
■		83-5801	83-5701	83-5873 Plus 30 Gallon Liner (See Below)	83-5773 Plus 60 Gallon Liner (See Below)
■	■	83-5807	83-5707	83-5879 Plus 30 Gallon Liner (See Below)	83-5779 Plus 60 Gallon Liner (See Below)

30 & 60 GALLON TANK LINERS			
Top Outlet	Bottom Outlet (Includes Bottom Outlet Kit)	30 Gallon SS Liner	60 Gallon SS Liner
■		83-1569	83-1581
	■	83-2230	83-2229



Bottom Outlet Kits for 183G- & 183S- ASME Code Tanks:

Bottom outlet kits include sturdy steel legs, mounting fasteners, fittings, and outlet pipe.



	Bottom Outlet Kit	Fluid Outlet if Using Bottom Outlet Kit
2 Gallon Tanks	183-3000	3/4" npt (m) or 3/4" nps (m)
5, 10 and 15 Gallon Tanks	183-3001	3/4" npt (m) or 3/4" nps (m)

183-3005: One leg plus fasteners. Order one to replace a damaged leg. Order three to raise a tank without bottom outlet plumbing.



Fluid Delivery Solvent Savers & Tank Liners

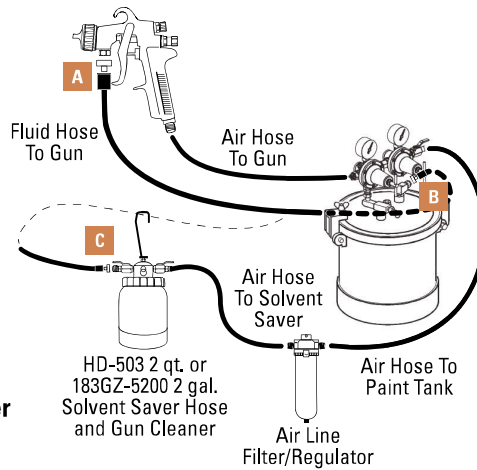
Solvent Saver



DEVILBISS
2 qt. Hose/
Gun Cleaner
Aluminum
& Brass
Construction
PART NO.: HD-503



BINKS
2 gal. Solvent Saver
Galvanized Steel,
Aluminum
& Brass
Construction
PART NO.: 183GZ-5200



TO ORDER QD KIT:

- (2) P-HC-4808-1 QD Body for fluid hose
- (3) P-HC-4482 QD Stem for gun, tank, solvent saver

How to Use the Solvent Saver

TO FLUSH FLUID HOSE & GUN:

1. Shut off air pressure to tank - loosen tank lid
2. Loosen air cap on spray gun 2-3 turns
3. Hold rag over air cap, pull trigger, blow atomizing air backward through fluid line into tank
4. Remove QD "B" from tank and connect to QD stem "C" on solvent saver
5. Turn off atomizing air to the spray gun
6. Open ball valve on solvent saver while pulling trigger on spray gun
7. Spray solvent into a grounded waste container until it sprays clear
8. Air/solvent "chop" is cleaning fluid hose and spray gun
9. Connect QD "C" back onto QD Stem "B" on pressure tank
10. If desired, remove QD "A" and attach to QD "C" to flush solvent through pick-up tube of paint tank

Pressure Tank Liners



- Disposable anti-static polyethylene liners
- Seamless, vacuum-formed pail liners have a contoured lip that snaps over a pail's top bead to prevent leakage between the pail liner and the pail wall

Part No.	Size	Tank Series	Qty.	Liner Dia.	Liner Ht.	Liner Wt.	Shell Inside Dia.
Liners for 2 qt. SG-2 Cups							
80-356	2 qt.	80-350/80-351, 80-451, 80-600, 80-601, 80-651	12	6"	6 1/4"	1 oz.	5.9"
Liners for A.S.M.E. Stainless Steel Pressure Tanks							
6-238-60	2 gal.	83-155XX, 183S & 183G Series	60	9"	10 3/4"	3 oz.	9"
PT-78-K10	2.8 gal.	83Z-2XX, 83S-2XX, QMST-52XX*, 183S & 183G Series	10	9 1/4"	9 1/2"	3 oz.	9 1/2"
PT-78-K60	2.8 gal.	83Z-2XX, 83S-2XX, QMST-52XX*, 183S & 183G Series	60	9 1/4"	9 1/2"	3 oz.	9 1/2"
6-277	5 gal.	83-154XX, 183S & 183G Series	15	13 9/16"	15 3/4"	9.8 oz.	14"
6-278	10 gal.	83-153XX, 183S & 183G Series	12	14"	19 1/2"	10 oz.	14"
PTL-408-K20	9.8 gal.	83S-5XX, QMST-55XX*, 183S & 183G Series	20	13 9/16"	15 3/4"	9.8 oz.	14"
PTL-412-K8	11.8 gal.	83S-10XX, QMST-510XX*, 183S & 183G Series	8	13 1/2"	18 5/8"	10 oz.	14"
PTL-415-K10	19.8 gal.	83S-15XX, QMST-515XX*, 183S & 183G Series	10	13 11/16"	27 9/16"	16 oz.	14"
Liners for A.S.M.E. Galvanized (Zinc-Plated) Steel Pressure Tanks							
6-238-60	2 gal.	83-5XX, 183S & 183G Series	60	9"	10 3/4"	3 oz.	9"
PT-78-K10	2.8 gal.	83C-2XX, 83G-2XX, QMGT-52XX*, 183S & 183G Series	10	9 1/4"	9 1/2"	3 oz.	9 1/2"
PT-78-K60	2.8 gal.	83C-2XX, 83G-2XX, QMGT-52XX*, 183S & 183G Series	60	9 1/4"	9 1/2"	3 oz.	9 1/2"
6-239	5 gal.	83-54XX, 183S & 183G Series	24	11 15/16"	15 3/4"	6.3 oz.	12"
6-240	10 gal.	83-53XX, 183S & 183G Series	12	13 5/8"	21"	10.5 oz.	14"
PTL-408-K20	9.8 gal.	83G-5XX, QMST-55XX*, 183S & 183G Series	20	13 9/16"	15 3/4"	9.8 oz.	14"
PTL-412-K8	11.8 gal.	83G-10XX, QMGT-510XX*, 183S & 183G Series	8	13 1/2"	18 5/8"	10 oz.	14"
PTL-415-K10	19.8 gal.	83G-15XX, QMGT-515XX*, 183S & 183G Series	10	13 11/16"	27 9/16"	16 oz.	14"
Liners for PT Series Steel Pressure Tanks							
PT-78-K10	2.8 gal.	PT-Series*	10	9 1/4"	9 1/2"	3 oz.	9 1/2"
PT-78-K60	2.8 gal.	PT-Series*	60	9 1/4"	9 1/2"	3 oz.	9 1/2"
Liner for 5 gal. Pail							
PL-5GAL-K40	5 gal.	Pail	40	11 1/4"	13"	4.5 oz.	11 1/2"

Most common liners in Green * Note: QMGT, QMST & PT Series tanks are no longer available for purchase



Fluid Delivery *Low Pressure Pumps*

Binks Gemini II Double Diaphragm Pumps

Binks Gemini II Diaphragm Pumps are the premier pumps for spraying, transferring, or circulating a variety of coatings. The pump design provides consistent spray patterns for high quality finish applications. The Gemini II pumps are rugged and designed to provide longer pump life.

- **Up to 38% More Fluid Delivery Per Stroke**
Longer equipment life and lower maintenance costs
- **Short Stroke Pump Specifically Designed for Spraying Applications**
Pulsation reduction is greater than competition
- **Customized Pump Packages**
Design a pump package for a specific application
- **Pump Outfits Available with Trophy Guns**
Trophy guns feature a new lightweight and ergonomic design
- **5-Year Limited Product Warranty**
The finishing industry's best warranty



BINKS
1:1 Ratio 1/2" Acetal,
Pail Mounted,
Dual Air Control, Filter,
Agitator, Siphon Hose
PART NO.: GEM2-P2D1D20



BINKS
1:1 Ratio 1/2" Acetal,
Drum Mounted,
Dual Air Control,
Agitator, Siphon Hose
PART NO.: GEM2-D2D0D10



BINKS
1:1 Ratio 1/2" Acetal,
Wall Mounted,
Dual Air Control,
Suction Hose Assembly
PART NO.: GEM2-W2D0040

Additional information for Gemini II Series Pumps and outfits available in catalog A41-108.

Binks Pogo Plus Low Pressure Pumps For High Volume Fluid Transfer & Spray Applications



Pogo Plus series, two-ball, double acting piston "stick" pumps are designed for the application and transfer of low-medium viscosity fluids. Models are available in Stainless Steel with either PTFE or UHMWE packings and are compatible with a wide variety of materials including water or solvent-borne paints and adhesives and most solvents. Pogo Plus pumps have a 4:1 ratio and are available with maximum pressure ratings of 290 psi or 500 psi.

- **Patented Air Motor Design**
Utilizes AX55 air motor to provide quick changeover and reduced pulsation
- **Durable Pump Design**
Reduces maintenance cost
- **Customized Pump Packages**
Design a pump package for a specific application
- **Pump Outfit Available with Trophy Gun**
Trophy guns feature a new lightweight and ergonomic design
- **5-Year Limited Product Warranty**
The finishing industry's best warranty

SPRAY FINISHING OUTFITS		
Outfit	98-3063	98-3062
Pump	PX1304-5U	PX1304-5U
Gun	Trophy Conventional 2465-18CN-11S0	2100 66SS x 66SD-3
Air Control	41-28272	41-28272
Air Hose 25 ft.	71-4803	71-4803
Fluid Hose 25 ft.	71-3303	71-3303
Drum Bung Adaptor	41-28331	41-28331

POGO PLUS PUMP PERFORMANCE				
	PX1304-5U	PX1304-5P	PX1304-8U	PX1304-8P
Pressure Ratio	4:1	4:1	4:1	4:1
Air Inlet Pressure (bar)	0-72.5 psi (5)	0-72.5 psi (5)	0-116 psi (8)	0-116 psi (8)
Fluid Pressure (bar)	0-290 psi (20)	0-290 psi (20)	0-500 psi (34)	0-500 psi (34)
Cycles Per Gallon	47	47	47	47
Displacement Per Cycle	2.7 (81 cc)	2.7 (81 cc)	2.7 (81 cc)	2.7 (81 cc)
Flow @ 60 Cycles/Min	1.3 gal. (4.91/m)	1.3 gal. (4.91/m)	1.3 gal. (4.91/m)	1.3 gal. (4.91/m)
Packing Material	UHMW	PTFE	UHMW	PTFE



Fluid Delivery Air Assisted Airless Medium Pressure Pumps

BINKS™ MX SERIES PISTON PUMPS

- 12:1 and 32:1 ratio packages
- .4 GPM fluid delivery
- Ideal for thin to medium viscosity coatings
- Designed for single gun applications
- Cart, tripod or wall mount options
- Complete packages include gun, hose, air controls, filter and siphon hose

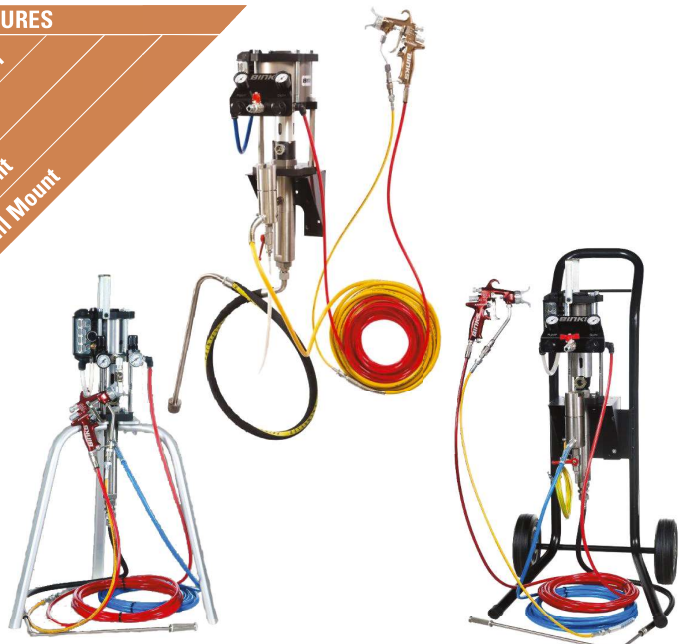


Standard Outfits

Model	FEATURES														
	GPM at 60 cycles/min	Ratio	UHMWPE	PTFE/UHMWPE U-Cup Seal	AA1600M Spray Gun with 114-D1310 Flat Tip	AA1600M Spray Gun with 114-D1310 Twist Tip	A4400M Spray Gun with 114-D1310 Flat Tip	A4400M Spray Gun with 114-D1310 Twist Tip	Air Assist Airless Air Control	Cart Mount	Tripod Mount	Wall Mount	Stainless Steel Filter	5 Gallon Siphon	25' of Fluid and Air Hose
MX412UC-EDC1S25	0.4	12:1	■	■				■	■			■	■	■	■
MX412UC-FDC1S25	0.4	12:1	■		■			■	■			■	■	■	■
MX412UC-EDT1S25	0.4	12:1	■	■				■		■		■	■	■	■
MX412UC-FDT1S25	0.4	12:1	■		■			■		■		■	■	■	■
MX412UC-EDW1S25	0.4	12:1	■	■				■		■	■	■	■	■	■
MX412UC-FDW1S25	0.4	12:1	■		■			■		■	■	■	■	■	■
MX432PU-GDC1S25	0.4	32:1		■		■		■	■			■	■	■	■
MX432PU-HDC1S25	0.4	32:1		■			■	■	■			■	■	■	■
MX432PU-GDT1S25	0.4	32:1		■		■		■		■		■	■	■	■
MX432PU-HDT1S25	0.4	32:1		■			■	■		■		■	■	■	■
MX432PU-GDW1S25	0.4	32:1		■		■		■		■	■	■	■	■	■
MX432PU-HDW1S25	0.4	32:1		■			■	■		■	■	■	■	■	■

Special Ordering Options

Model	FEATURES														
	GPM at 60 cycles/min	Ratio	UHMWPE	PTFE/UHMWPE U-Cup Seal	Air Assist Airless Air Control	Cart Mount	Tripod Mount	Wall Mount							
MX412UC-0DC0000	0.4	12:1	■	■	■										
MX412UC-0DT0000	0.4	12:1	■	■			■								
MX412UC-0DW0000	0.4	12:1	■	■										■	
MX412UC	0.4	12:1	■												
MX412PU-0DW0000	0.4	12:1		■	■									■	
MX412PU	0.4	12:1		■											
MX432PU-0DC0000	0.4	32:1		■	■	■									
MX432PU-0DT000	0.4	32:1		■	■		■								
MX432PU-0DW0000	0.4	32:1		■	■									■	
MX432PU	0.4	32:1		■											
MX432UC-0DW0000	0.4	32:1	■		■									■	
MX432UC	0.4	32:1	■												



Fluid Delivery *Air Assisted Airless Medium Pressure Pumps*

BINKS **MX** SERIES PISTON PUMPS

- 12:1 and 31:1 ratio packages
- 1.2 GPM fluid delivery
- Ideal for thin to medium viscosity coatings
- Supports 1-2 guns in air assisted airless applications
- Cart or wall mount options
- Complete packages include gun, hose, air controls, filter and siphon hose



Standard Outfits

Model	GPM at 60 cycles/min		FEATURES										
	Ratio		UHMWPE U-Cup Seal	PTFE/UHMWPE Packings	AA1600M Spray Gun with 114-01310 Flat Tip	AA1600M Spray Gun with 114-01310 Twist Tip	AA4400M Spray Gun with 114-01310 Flat Tip	Air Assist Airless Air Control	Cart Mount	Wall Mount	Stainless Steel Filter	5 Gallon Siphon	25' of Fluid and Air Hose
MX1212UC-EDC1S25	1.2	12:1	■	■			■	■		■	■	■	■
MX1212UC-FDC1S25	1.2	12:1	■		■			■	■		■	■	■
MX1212UC-EDW1S25	1.2	12:1	■	■			■		■	■	■	■	■
MX1212UC-FDW1S25	1.2	12:1	■		■		■	■		■	■	■	■
MX1231PU-GDC1S25	1.2	31:1		■		■		■	■		■	■	■
MX1231PU-HDC1S25	1.2	31:1		■			■	■	■		■	■	■
MX1231PU-GDW1S25	1.2	31:1		■		■		■	■		■	■	■
MX1231PU-HDW1S25	1.2	31:1		■			■	■	■		■	■	■

Special Ordering Options

Model	GPM at 60 cycles/min		FEATURES				
	Ratio		UHMWPE U-Cup Seal	PTFE/UHMWPE Packings	Air Assist Airless Air Control	Cart Mount	Wall Mount
MX1212UC-ODC0000	1.2	12:1	■	■	■		
MX1212UC-ODW0000	1.2	12:1	■	■			
MX1212UC	1.2	12:1	■	■		■	
MX1212PU-ODW0000	1.2	12:1		■			
MX1212PU	1.2	12:1		■	■		■
MX1231PU-ODC0000	1.2	31:1		■	■	■	
MX1231PU-ODW0000	1.2	31:1		■	■		
MX1231PU	1.2	31:1		■	■		■
MX1231UC-ODW0000	1.2	31:1	■				
MX1231UC	1.2	31:1	■	■		■	

1. Large exhaust valves allow quick changeover for smooth spray operation
2. Magnetic Detent spool valve (patent pending) and quick dump air valves enable air motor to switch over quickly
3. 1.2 GPM @ 60 cycles/min supports 1-2 gun spraying
4. Self adjusting packings for longer life
5. Balanced, stepped rod fluid section with hard chromed surface minimizes wear and maximizes time-between-rebuilds



Fluid Delivery *Airless & Air Assisted Airless* High Pressure Pumps



Binks MX Series Heavy Duty Airless & Air Assisted Airless Spray Outfits

Binks MX Pumps are a completely new design in air operated pump technology using a patented magnetic detent to provide fast changeover of the piston stroke with virtually no pulsation. The result is more speed with a more consistent finish.

The MX pumps are available in ratios of 36:1, 42:1, 60:1 and 70:1 with fluid deliveries of 3.0 or 3.5 GPM.

Typical Applications:

Corrosion Protection For –

- Steel fabrications and structures
- Marine and ship building
- Pipe
- Off road vehicles
- Storage tanks
- Trailer and railcar manufacturers



Mounting Setups:

- Bare Pump (no mount provided)
- Cart Mount (shown at left)
- Wall Mount

1. Air controls included for pump and/or air assist spray gun applications
2. Air motor silencer for quiet operation
3. "No-Ice" air motor design keeps the pump from icing up
4. Patented anti-stall magnetic detent technology with quick exhaust valves feature low to no ice operation and uninterrupted production
5. Self adjusting packings increase life with even wear
6. Flat free tires require no maintenance

MX Series Ordering Information

MX3560 60:1 pump carbon steel lower fluid section with PTFE/UHMW packings sold with a 100 mesh filter, 5 gal. siphon kit, Airless 7500 gun w/ fluid tube no tip, 50' airless hose with 5' whip hose.

*Specify tip separately when ordering

ORDERING SYSTEM FOR AIRLESS OUTFITS

	A	B	C	D	E	F	G	H		
MX	35	60	PU-	C	A	C	5	S	1	2
A	OUTPUT				E	FILTER				
	30	=	3.0 GPM		1	=	100 Mesh			
	35	=	3.5 GPM		3	=	30 Mesh			
B	RATIO				F	SIPHON				
	36	=	36:1		5	=	50 Mesh			
	42	=	42:1		7	=	70 Mesh			
	60	=	60:1		0	=	None			
	70	=	70:1		S	=	5 Gallon			
C	MATERIAL				G	GUN				
	C	=	Carbon Steel		0	=	No Gun			
	S	=	Stainless Steel		1	=	Airless 75			
D	MOUNTING				H	HOSE				
	C	=	Cart		0	=	None			
	W	=	Wall		2	=	25 Feet			
					5	=	50 Feet			

AIR ASSISTED AIRLESS OUTFITS

98-3230 Single Gun Outfit	Outfit Components	98-3231 2 Gun Outfit
1	MX3536PU-C4C5500 36:1 Ratio, 3.5 GPM Pump, Carbon Steel Fluid Section, Cart Mount, with 50 Mesh Fluid Filter and 5 Gal. Siphon Tube	1
1	53' Air Tubing for Atomizing Air	2
1	50' High Pressure Fluid Hose (1/4" I.D. / 4,000 psi)	2
1	3' High Pressure Whip Hose (1/8" I.D. / 5,000 psi)	2
1	Air Controls for 1 or 2 Guns	2
1	0909-4400-HT0000 AA4400M Air Assisted Airless Spray Gun with HVLP Air Cap and Twist Tip Guard (Tip Not Included - Order Separately)	2

Note: Twist tip not included - order separately

7. Heavy duty cart with lower "grab" handles for easy lifting
8. Carbon or stainless steel housing with ceramic coated step rod design reduces friction in the pump rod movement and is proven tough to increase packing life
9. Large 1 1/2" "knock off" fluid inlet for faster pump assembly and disassembly in the field

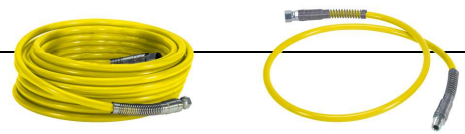


Fluid Delivery Accessories

MX Series Accessories, Spares & Kits

Binks MX Accessories and Spares	MX3042	MX3536	MX3560	MX3070
Airless 75 Gun with Stainless Steel Fluid Tube		0811-7500-1		
Airless 75 Gun Direct Connect		0811-7500-2		
Airless 75 Gun Direct Connect Large Passage		0811-7500-3		
Airless 75M Gun with 3/8" Fluid Opening		0811-7500-4		
Cart Assembly	41-28280-200		41-28280-MX	
Wall Bracket Assembly	104116		104095	
Silencer	192509			
2 or 3 Gun Outlet Kit	41-28294			
Binks Micro-Swivel 1/4" NPS (F) to 1/4" NPS (M) (7,550 psi)	72-2332			
Binks Micro-Swivel 1/4" NPS (F) to 3/8" NPS (M) (7,550 psi)	72-2333			
High Pressure Filter Elements				
30 Mesh	0114-014917			
50 Mesh	0114-014886			
70 Mesh	0114-014884			
100 Mesh	0114-014883			
Air Motor Spares Kit				
Seal Kit	MX3042	MX3536	MX3560	MX3070
Cylinder Seal Kit	250703		250645	
Hardware Kit	250702		250648	
Air Valve Repair Kit	250701		250650	
Exhaust Seal Kit		250649		
		250651		
Fluid Section Repair Kit				
Fluid Section Rebuild Kit	MX3042	MX3536	MX3560	MX3070
Fluid Section Seal Kit	250665	250661	250661	250665
	250663	250659	250659	250663

Air Assist Airless packages are available by contacting Binks Customer Service.



Airless Fluid Hose Assemblies

AIRLESS PAINT HOSE (CONDUCTIVE)						
Part No.	Size	Max. Working Pressure	Tube Material	Connection Type	Threads	Connection Material
71-4830	1/4" i.d. x 25'	4,000 psi	Nylon	Permanent w/ Spring Guards	1/4" nps (f)	Steel Plated
71-4831	1/4" i.d. x 50'	4,000 psi	Nylon	Permanent w/ Spring Guards	1/4" nps (f)	Steel Plated
71-4840	1/4" i.d. x 25'	10,000 psi	Nylon	Permanent w/ Spring Guards	1/4" nps (f)	Steel Plated
71-4841	1/4" i.d. x 50'	10,000 psi	Nylon	Permanent w/ Spring Guards	1/4" nps (f)	Steel Plated
71-4850	3/8" i.d. x 25'	3,500 psi	Nylon	Permanent w/ Spring Guards	3/8" nps (f)	Steel Plated
71-4851	3/8" i.d. x 50'	3,500 psi	Nylon	Permanent w/ Spring Guards	3/8" nps (f)	Steel Plated
71-4860	3/8" i.d. x 25'	8,000 psi	Nylon	Permanent w/ Spring Guards	3/8" nps (f)	Steel Plated
71-4861	3/8" i.d. x 50'	8,000 psi	Nylon	Permanent w/ Spring Guards	3/8" nps (f)	Steel Plated
WHIP-END FLUID HOSE ASSEMBLIES						
Part No.	Size	Max. Working Pressure	Tube Material	Connection Type	Threads	Connection Material
71-8360	3/16" i.d. x 30"	3,000 psi	Nylon	Permanent w/ Spring Guards	1/4" nps (f) x 1/4" npt (m)	Steel Plated
71-6844	1/8" i.d. x 3'	5,000 psi	Nylon	Permanent w/ Spring Guards	1/4" nps (f) x 1/4" npt (m)	Steel Plated
AIR ASSIST AIRLESS FLUID HOSE ASSEMBLIES						
Part No.	Size	Max. Working Pressure	Tube Material	Connection Type	Threads	Connection Material
71-4992	1/8" i.d. x 15'	4,000 psi	Nylon	Permanent w/ Spring Guards	1/4" npt (f)	Stainless Steel
71-4993	1/8" i.d. x 25'	5,000 psi	Nylon	Permanent w/ Spring Guards	1/4" npt (f)	Stainless Steel
71-4995	3/16" i.d. x 25'	1,900 psi	Nylon	Permanent w/ Spring Guards	1/4" npt (f)	Stainless Steel
1/4" I.D. AIR TUBING (AIR ASSIST AIR SUPPLY TO GUN)						
Part No.	Size	Max. Working Pressure	Tube Material	Connection Type	Threads	Connection Material
71-4803	1/4" i.d. x 28'	100 psi	Poly-Urethane (red)	None*	—	—
71-4804	1/4" i.d. x 53'	100 psi	Poly-Urethane (red)	None*	—	—

*See page 5-11 Catalog A28-100R Accessories Guide for connections



Fluid Delivery Accessories

Binks Quick-Mixers for Container Sizes of 5 to 55 gallon

- Designed for standard and for extra heavy industrial uses
- **All Purpose:** Unsurpassed for paint, resins, chemicals, and slurries
- **High Performance:** Explosion-proof direct drive
- **Air Motors:** 1/2 HP (standard); Implosion-Type
- High shear mixer blades thoroughly mix 5 gallons of paint in less than 60 seconds
- **Rugged:** Stainless steel shaft and impeller
- Specially welded stress points makes mixer virtually unbreakable



Model No. Complete:	149-873 (1/2 HP)	149-874 (1/2 HP)
Model No. Stainless Steel Mixer Only:	149-365 (shown)	149-693
Container Size:	5 and 10 gallons	55 gallons
Shaft Length x Diameter:	21 in. x 1/2 in.	40 in. x 1/2 in.
Impeller Diameter:	5 in.	5 in.
Shaft Length:	21 in.	40 in.
Shipping Weight:	9 lbs.	10 lbs.
Ref. Part Sheet:	77-2826	77-2826

Binks Fluid Heaters

Working capacity to 5000 psi and with adjustable thermostatic control from 60° to 250°F.



PART NO.: 830000

Part No.	Description
830000	120 vac (16.6 amps)
830001	240 vac (8.33 amps)

Binks Agitators

5 gal. pail-mounted direct drive agitator fitted with zinc plated chromate cover.



PART NO.: 31-425

See Catalog A41-114 for the full line of Binks Agitators

Binks Propector™ Tank Strainers & Pail Strainers



Part No.	Description	Mesh Size	Pail Size
BINKS PROPECTOR™ TANK STRAINERS			
PTS-2Gal-K20-200	2-gal. Tank Strainer - 200 Micron	65 Wire Mesh	2-gal.
PTS-2Gal-K20-400	2-gal. Tank Strainer - 400 Micron	37 Wire Mesh	2-gal.
PTS-2Gal-K20-600	2-gal. Tank Strainer - 600 Micron	28 Wire Mesh	2-gal.
PTS-5Gal-K20-200	Tank Strainer - 200 Micron	65 Wire Mesh	5-gal., 10-gal. or 15-gal.
PTS-5Gal-K20-400	Tank Strainer - 400 Micron	37 Wire Mesh	5-gal., 10-gal. or 15-gal.
PTS-5Gal-K20-600	Tank Strainer - 600 Micron	28 Wire Mesh	5-gal., 10-gal. or 15-gal.
BINKS PROPECTOR™ PAIL STRAINERS			
PS-5Gal-K20-200	5-gal. Pail Strainer - 200 Micron	65 Wire Mesh	5-gal.
PS-5Gal-K20-400	5-gal. Pail Strainer - 400 Micron	37 Wire Mesh	5-gal.
PS-5Gal-K20-600	5-gal. Pail Strainer - 600 Micron	28 Wire Mesh	5-gal.

Binks "Strain-It" Cup Strainer



Part No.	Description	Mesh Size - Color
2Gal-81-82	Super Fine: Removes Lint and Particles	145 Wire Mesh - White
81-83	Fine: For Primers and More Viscous Materials	100 Wire Mesh - Blue
81-84	Medium: For Heavy Materials	80 Wire Mesh - Red

Binks Fluid Pick-Up Tube Paint Strainer



Part No.	Description	Qty	Shipping Weight*
149-278	Fluid Pick-Up Tube Paint Strainer 50 Mesh, Brass with Polyethylene Gasket	10/Box	1.00 lbs.

* Shipping weights approximate

Binks Low Pressure In-Line Fluid Filter

Nickel plated body and stainless steel element screen for solvent or waterborne materials.



Part No.	Description	S.S. Element Screen
83-2922	50 mesh, 297 microns	83-2089
83-2923	80 mesh, 177 microns	83-2596
83-2924	100 mesh, 149 microns	83-1256
83-2925	150 mesh, 96 microns	83-2405
83-2926	200 mesh, 74 microns	83-2706



Fluid Delivery *Vinyl Ester Outfit*



Pump Ratio 37:1 - 2960 psi (204 bar)

Ideally suited for Vinyl Ester applications requiring .5% to 3.5% catalyst ratios

Binks Vinyl Ester Spray Finishing Outfit - 105-1401

The Binks B8-D 37:1 ratio cart mount system is a complete pumping system which includes a Binks Century Vinyl Ester spray gun, cart, 50 ft. each of air, catalyst and material hose assemblies and a 55 gallon siphon hose assembly.

Features & Benefits:

- External mix Binks Century HVLP Vinyl Ester spray gun eliminates flushing
- HVLP complies with many environmental regulations and delivers excellent transfer efficiency
- Dual acting trigger lock
- Catalyst and resin pump are coupled, which assures accurate volumetric ratio
- Catalyst pump meters catalyst from ratios of 0.5% to 3.5%
- Catalyst pump ratio bar has etched markings that do not dissolve with solvent exposure
- B8-D 37:1 - 2960 psi pump is capable of supplying 3.4 GPM (12.9 l/m) at 60 cycles/min. of resin

B8-D Vinyl Ester Pump Specifications:

- **Air Motor:** B8
- **Pump Ratio:** 37:1
- **Main Air Inlet Size:** 1/2" nps (m)
- **Spray Gun:** Binks Century Vinyl Ester HVLP Spray Gun (102-2545)
- **Max Air Input Pressure:** 80 psi (5.5 bar)
- **Max Fluid Pressure:** 2960 psi (204 bar)
- **Air Req'd. @20 Cycles Per Min. @ 80 psi:** 37 cfm (140 l/m)
- **Resin Pump Wetted Parts:** Stainless Steel, Tungsten Carbide, Chrome Plated Steel, PTFE, UHMWPE
- **Catalyst Pump Wetted Parts:** Stainless Steel, Silicone Rubber, PTFE

Component Part Sheets:

- 77-2897 - Vinyl Ester System
- 77-2470 - Flow Meter
- 77-2892 - Fluid Section (101-9286)
- 77-2835 - Catalyst Bottle
- 77-2882 - Pulse Bottle
- 77-2520 - Binks Century Vinyl Ester Spray Gun
- 77-2213 - B8 Air Motor
- 77-2728 - Catalyst Pump
- 77-2902 - Small Cart
- 77-2881 - Air Control
- 77-5300 - Safety Booklet



The Binks vinyl ester system features the highly acclaimed Binks Century HVLP Vinyl Ester spray gun.

SYSTEM COMPONENT LIST	
Part No.	Description
105-1401	Binks B8-D 37:1 Cart Mount Outfit
102-2545	Century Vinyl Ester Spray Gun (Less Tip)
108-9 Series	Tip Assembly - Order Separately (Ref. Part Sheet 77-2520 for 108-9 Tip Sizes)
103-1789	B8-D Pump Assembly
103-1733	Air Control Assembly
103-1068	Siphon Kit 1" - 55 gallon
102-3030	Catalyst Hose 50 ft.
71-1206	Air Hose 50 ft.
71-8425	Material Hose 50 ft.
41-28050	Small Cart Assembly



CleanAir Air Control Equipment

DeVilbiss has what you need to make your finishes nothing but the best. By adding air filtration to your finishing equipment, you are ensuring that contaminants such as dirt, oil and water won't appear in your finish because of dirty air.

CleanAir Centrifugal Filter-Regulator Units

Excellent for eliminating moisture and dirt from an air supply

DeVilbiss CleanAir centrifugal units supply cleaner, drier air to each spray gun in a system. This cleaner air can also increase the life of pneumatic tools.



- Filters out water and oil aerosols and dirt particulates to 5 microns
- Ideal for most spray applications, air tools and equipment
- Water droplets collected in the bowl are removed by an automatic drain (standard feature) — no need to manually drain

CENTRIFUGAL AIR FILTER UNITS			
Part No.	HAF-502	HAF-503	HAF-505
Filtering Capacity	5 micron	5 micron	.01 micron
Flow Rate (CFM)	100 @ 90 psi	150 @ 90 psi	55 @ 90 psi
Max. Inlet Pressure	150 psi / 10.3 bar	150 psi / 10.3 bar	150 psi / 10.3 bar
Max. Operating Temp.	150°F / 65.6°C	150°F / 65.6°C	150°F / 65.6°C
Inlet Port Size	1/2" NPT (F)	3/4" NPT (F)	1/2" NPT (F)
Outlet Port Size	1/2" NPT (F)	3/4" NPT (F)	1/2" NPT (F)
Bowl Capacity	17 oz.	34 oz.	17 oz.
Shipping Weight	1 lb. 7 oz.	3 lbs. 1 oz.	1 lb. 8 oz.
Auto Drain	Std.	Std.	Std.
Service Bulletin	SB-6-146	SB-6-148	SB-6-152

CENTRIFUGAL FILTER-REGULATOR UNITS			
Part No.	HFR-508	HFR-509	HFR-511
Filtering Capacity	5 micron	5 micron	5 micron
Flow Rate (CFM)	60+	80+	120+
Max. Inlet Pressure	150 psi / 10.3 bar	150 psi / 10.3 bar	150 psi / 10.3 bar
Regulated Pressure Range (psi)	0 - 125	0 - 125	0 - 125
Max. Operating Temp.	150°F / 65.6°C	150°F / 65.6°C	150°F / 65.6°C
Inlet Port Size	1/2" npt (f)	3/4" npt (f)	3/4" npt (f)
Regulated Outlets (w/ ball valve)	(1) 1/4" nps (m)	(2) 1/4" nps (m)	(4) 1/4" nps (m)
Non-Regulated Outlets (w/ ball valve)	(1) 1/4" nps (m)	(1) 1/4" nps (m)	(1) 1/4" nps (m)
Bowl Capacity	17 oz.	34 oz.	34 oz.
Air Filter Included	HAF-502	HAF-503	HAF-503
Quantity of Air Regulators/Model	(1) HAR-507	(1) HAR-507	(2) HAR-507
Air Gauges (0 - 100 psi)	1	1	2
Air Gauges (0 - 160 psi)	1	1	1
Shipping Weight	9 lbs.	15 lbs.	18 lbs.
Service Bulletin	SB-6-146	SB-6-148	SB-6-148

FRC-650 All-In-One filter, regulator and coalescer

A Unique Product in the Finishing Market

- FRC-650 All-In-One combines a filter, regulator and coalescer for shop air into one compact unit
- Four 1/4" nps (m) ball valves with unrestricted air passages, (three regulated plus one unregulated outlet)
- Automatic drains at each stage eliminate water build-up — no need to manually drain

FRC-650 Specifications:

- Type of Air Regulation: Diaphragm
- Air Inlet Port Size: 1/2" Pipe Thread-(1)
- Air Outlet Port Size: 1/4" nps (m)-(4)
- Regulated Air Outlets: 3
- Unregulated Air Outlets: 1
- Filtered Line Air Inlet: 1
- Max. Working Temperature: 170°F / 80°C
- Max. Air Inlet Pressure: 175 psi (12.3 kgf/cm²)
- Regulated Outlet Pressure: 0 -125 psi (0 - 8.8 kgf/cm²)
- Flow Rate: 100 cfm
- First Stage Filtering Capacity: 5 micron
- Second Stage Filtering Capacity: 1 micron
- Bowl and Body Construction: Aluminum
- Drain: Automatic
- Service Bulletin: SB-6-377



CleanAir Three-Stage Desiccant Unit

Provides the ultimate in clean dry air filter

- Ideally suited for low to medium production
- DAD-500 air-drying system includes three filtering units, as well as a wall mount bracket and desiccant filter change indicator
- Centrifugal and coalescer units include automatic bowl drain (standard feature) — no need to manually drain
- Coalescer filter includes filter change indicator
- Desiccant filter includes sight glass indicator (Changes color when desiccant needs replacement)



DAD-500* DESICCANT AIR DRYING SYSTEM	
Desiccant System Units	DAD-500 Air Drying System*
Air Inlet	1/2" NPT (F)
Air Outlet	1/2" NPT (F)
Max. Operating Pressure (psi)	150
Replacement Filters/Desiccant	DAD-1†
Service Bulletin	SB-6-156
Air Flow Capacity (cfm)	25

*Includes HAF-502, HAF-505 and HAR-507 †Shipping Weight Approx. 10 lbs.



Low Pressure Air & Fluid Hose & Connections

Hose, Connections & Assemblies

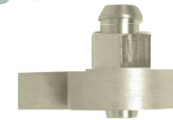
Sizes Available		Bulk Hose Number	Maximum Working Pressure	Bend Radius	Std. Reel Length in Ft. 1 Piece Reels	Approx. Shipping Weight Based on Ft. Per Reel	Hose Weight Per 100 Ft.
i.d.	o.d.						
PREMIUM SPRAY FINISHING AIR BULK HOSE CHART – SMOOTH COVER							
1/4"	1/2"	71-10000	250 psi	2 3/4"	500	50 lbs.	10 lbs.
5/16"	5/8"	71-11000	250 psi	3"	500	87 lbs.	16.2 lbs.
3/8"	11/16"	71-12000	250 psi	3 1/2"	500	96 lbs.	18 lbs.
1/2"	7/8"	71-13000	250 psi	5"	300	86 lbs.	26.8 lbs.
3/4"	1 1/8"	71-14000	250 psi	6"	300	112 lbs.	35 lbs.
FLUIDALL™ FLUID BULK HOSE CHART (NYLON LINED, MAX. VERSATILITY) – SMOOTH COVER							
1/4"	1/2"	71-280	500 psi	3"	500	43 lbs.	8 lbs.
3/8"	11/16"	71-282	500 psi	3 1/2"	500	83 lbs.	15 lbs.
1/2"	7/8"	71-283	750 psi	5"	300	74 lbs.	22 lbs.
3/4"	1 3/16"	71-284	750 psi	8"	300	118 lbs.	36 lbs.
1"	1 1/2"	71-285	750 psi	12"	300	168 lbs.	53 lbs.



Type A. Plated Brass



Type B. Plated Brass



Type C. Plated Brass

CONNECTIONS FOR PREMIUM & STATIC WIRE AIR HOSE						
Hose Size i.d.	Hose Size o.d.	Bulk Hose No.	Connections		Compression Sleeve	Type
			Thread	Part No.		
1/4"	1/2"	71-10000	1/4" nps(f)	72-1303	HC-20-K10	A
			3/8" nps(f)	72-1306	HC-20-K10	A
			3/8" nps(f)s.s.	72-2143*	72-854-5	A
5/16"	5/8"	71-11000 71-20000	1/4" nps(f)	72-1317	HC-12-K10	A
			1/4" npt(m)	72-1478	HC-12-K10	B
			3/8" nps(f)	72-1320	HC-12-K10	A
3/8"	11/16"	71-12000	1/4" nps(f)	72-1325	HC-23-K10	A
			3/8" nps(f)	72-1328	HC-23-K10	A
			3/8" nps(f)s.s.	72-2146*	72-854-5	A
1/2"	7/8"	71-13000	3/8" nps(f)	72-1333	HC-33	A
			1/2" nps(f)	72-1334	HC-33	A
			1/2" nps(f)	72-954 [†] *	—	C
3/4"	1 3/16"	71-14000	3/4" nps(f)	72-1336 [†]	—	C
			3/4" nps(f)	72-417 [†]	—	C
			3/4" nps(f)	72-955 [†] *	—	C
			3/4" nps(f)	72-1935	—	—
ERGOFLEX™ AIR HOSE CONNECTIONS						
3/8"	.646"	71-31000	1/4" nps(f)	72-2008	HC-12-K10	A

[†]Push-Lok Connection *Stainless Steel Tailpiece

CONNECTIONS FOR FLUIDALL™ FLUID HOSE						
Hose Size i.d.	Hose Size o.d.	Bulk Hose No.	Connections		Compression Sleeve	Type
			Thread	Part No.		
1/4"	1/2"	71-280	1/4" nps(f)	72-1303	HC-20-K10	A
			3/8" nps(f)	72-1306	HC-20-K10	A
			3/8" nps(f)s.s.	72-2143*	72-854-5	A
3/8"	11/16"	71-282	1/4" nps(f)	72-1325	HC-23-K10	A
			3/8" nps(f)	72-1328	HC-23-K10	A
			3/8" nps(f)s.s.	72-2146*	72-856-5	A
1/2"	7/8"	71-283	3/8" nps(f)	72-1333	HC-33	A
			1/2" nps(f)	72-1334	HC-33	A
			1/2" nps(f)	72-954 [†] *	—	C
3/4"	1 3/16"	71-284	3/4" nps(f)	72-1336 [†]	—	C
			3/4" nps(f)	72-417 [†]	—	C
			3/4" nps(f)	72-955 [†] *	—	C
			3/4" nps(f)	72-1935	—	—
1"	1 1/2"	71-285	1" nps(f)	72-418 [†]	—	C
			1" nps(f)	72-956*	—	C
			1" nps(f)	72-1936	—	—

[†]Push-Lok Connection *Stainless Steel Tailpiece

1/4" I.D. AIR TUBING ASSEMBLIES (LOW PRESSURE – AIR ASSIST SUPPLY)							
Part No.	Bulk Hose No.	Size	Max. Working Pressure	Tube Material	Connection Part No.	Threads	Connection Material
54-4989	54-4987	1/4" i.d. x 3/8" o.d. x 25 ft.	100 psi	Polyurethane (red)	None	n/a	n/a
71-4800	54-4987	1/4" i.d. x 3/8" o.d. x 35 ft.	100 psi	Polyurethane (red)	None	n/a	n/a
71-4801	54-4987	1/4" i.d. x 3/8" o.d. x 50 ft.	100 psi	Polyurethane (red)	None	n/a	n/a
71-4803	54-4987	1/4" i.d. x 3/8" o.d. x 28 ft.	100 psi	Polyurethane (red)	None	n/a	n/a
71-4991	54-4987	1/4" i.d. x 3/8" o.d. x 25 ft.	100 psi	Polyurethane (red)	1 ea 54-4976 Tubing Connector	1/4" nps(f)	Brass Plated
71-4804	54-4987	1/4" i.d. x 3/8" o.d. x 53 ft.	100 psi	Polyurethane (red)	None	n/a	n/a



Low Pressure Air & Fluid Hose Assemblies

Air Hose Assemblies

PREMIUM AIR HOSE ASSEMBLIES (LOW PRESSURE)							
Part No.	Bulk Hose No.	Size	Max. Working Pressure	Tube Material	Connection Part No.	Threads	Connection Material
71-1101	71-10000	1/4" i.d. x 1/2" o.d. x 5 ft.	250 psi	E.P.D.M.	72-1303	1/4" nps (f)	Brass Plated
71-1105	71-10000	1/4" i.d. x 1/2" o.d. x 25 ft.	250 psi	E.P.D.M.	72-1303	1/4" nps (f)	Brass Plated
71-1106	71-10000	1/4" i.d. x 1/2" o.d. x 50 ft.	250 psi	E.P.D.M.	72-1303	1/4" nps (f)	Brass Plated
71-1201	71-11000	5/16" i.d. x 5/8" o.d. x 5 ft.	250 psi	E.P.D.M.	72-1317	1/4" nps (f)	Brass Plated
71-1203	71-11000	5/16" i.d. x 5/8" o.d. x 15 ft.	250 psi	E.P.D.M.	72-1317	1/4" nps (f)	Brass Plated
71-1205	71-11000	5/16" i.d. x 5/8" o.d. x 25 ft.	250 psi	E.P.D.M.	72-1317	1/4" nps (f)	Brass Plated
71-1206	71-11000	5/16" i.d. x 5/8" o.d. x 50 ft.	250 psi	E.P.D.M.	72-1317	1/4" nps (f)	Brass Plated
71-1209	71-11000	5/16" i.d. x 5/8" o.d. x 6 ft.	250 psi	E.P.D.M.	72-1317	1/4" nps (f)	Brass Plated
71-1355	71-12000	3/8" i.d. x 11/16" o.d. x 25 ft.	250 psi	E.P.D.M.	72-1325	1/4" nps (f)	Brass Plated
71-1356	71-12000	3/8" i.d. x 11/16" o.d. x 50 ft.	250 psi	E.P.D.M.	72-1325	1/4" nps (f)	Brass Plated

AIR HOSE ASSEMBLIES (GROUNDED WITH STATIC WIRE)							
Part No.	Bulk Hose No.	Size	Max. Working Pressure	Tube Material	Connection Part No.	Threads	Connection Material
71-2803	71-20000	5/16" i.d. x 5/8" o.d. x 25 ft.	250 psi	E.P.D.M.	72-1317	1/4" nps (f)	Brass Plated
71-2810	71-20000	5/16" i.d. x 5/8" o.d. x 35 ft.	250 psi	E.P.D.M.	72-1317	1/4" nps (f)	Brass Plated
71-2804	71-20000	5/16" i.d. x 5/8" o.d. x 50 ft.	250 psi	E.P.D.M.	72-1317	1/4" nps (f)	Brass Plated

ERGOFLEX AIR HOSE ASSEMBLIES							
Part No.	Bulk Hose No.	Size	Max. Working Pressure	Tube Material	Connection Part No.	Threads	Connection Material
71-31101	H-3670	.390 i.d. x .650 o.d. x 25 ft.	200 psi	E.P.D.M.	72-2008	1/4" nps (f)	Brass Plated
71-31103	H-3670	.390 i.d. x .650 o.d. x 6 ft.	200 psi	E.P.D.M.	72-2008	1/4" nps (f)	Brass Plated

Fluid Hose Assemblies

FLUIDALL™ HOSE ASSEMBLIES (LOW PRESSURE)							
Part No.	Bulk Hose No.	Size	Max. Working Pressure	Tube Material	Connection Part No.	Threads	Connection Material
71-3260	71-280	1/4" i.d. x 1/2" o.d. x 5 ft.	500 psi	Nylon	72-1303	1/4" nps (f)	Brass Plated
71-3263	71-280	1/4" i.d. x 1/2" o.d. x 25 ft.	500 psi	Nylon	72-1303	1/4" nps (f)	Brass Plated
71-3279	71-280	1/4" i.d. x 1/2" o.d. x 9"	500 psi	Nylon	72-1303	1/4" nps (f)	Brass Plated
71-3380	71-280	1/4" i.d. x 1/2" o.d. x 5 ft.	500 psi	Nylon	72-1306	3/8" nps (f)	Brass Plated
71-3383	71-280	1/4" i.d. x 1/2" o.d. x 25 ft.	500 psi	Nylon	72-1306	3/8" nps (f)	Brass Plated
71-3384	71-280	1/4" i.d. x 1/2" o.d. x 50 ft.	500 psi	Nylon	72-1306	3/8" nps (f)	Brass Plated
71-3390	71-280	1/4" i.d. x 1/2" o.d. x 35 ft.	500 psi	Nylon	72-1306	3/8" nps (f)	Brass Plated
71-3663	71-280	1/4" i.d. x 1/2" o.d. x 25 ft.	500 psi	Nylon	72-2143	3/8" nps (f)	Stainless Steel
71-3300	71-282	3/8" i.d. x 11/16" o.d. x 5 ft.	500 psi	Nylon	72-1328	3/8" nps (f)	Brass Plated
71-3303	71-282	3/8" i.d. x 11/16" o.d. x 25 ft.	500 psi	Nylon	72-1328	3/8" nps (f)	Brass Plated
71-3304	71-282	3/8" i.d. x 11/16" o.d. x 50 ft.	500 psi	Nylon	72-1328	3/8" nps (f)	Brass Plated
71-3313	71-282	3/8" i.d. x 11/16" o.d. x 17"	500 psi	Nylon	72-1328	3/8" nps (f)	Brass Plated
71-3400	71-283	1/2" i.d. x 7/8" o.d. x 5 ft.	750 psi	Nylon	72-1334	1/2" nps (f)	Brass Plated
71-3403	71-283	1/2" i.d. x 7/8" o.d. x 25 ft.	750 psi	Nylon	72-1334	1/2" nps (f)	Brass Plated
71-3404	71-283	1/2" i.d. x 7/8" o.d. x 50 ft.	750 psi	Nylon	72-1334	1/2" nps (f)	Brass Plated
71-3360	71-285	1" i.d. x 1 1/2" o.d. x 5 ft.	750 psi	Nylon	72-1936	1" nps (f)	Brass Plated
71-3361	71-285	1" i.d. x 1 1/2" o.d. x 10 ft.	750 psi	Nylon	72-1936	1" nps (f)	Brass Plated
71-3367	71-285	1" i.d. x 1 1/2" o.d. x 8 ft.	750 psi	Nylon	72-1936	1" nps (f)	Brass Plated

HOSE ASSEMBLY SETS (AIR & FLUID)							
Part No.	Bulk Hose No.	Size	Max. Working Pressure	Tube Material	Connection Part No.	Threads	Connection Material
6-438	71-131	5/16" i.d. x 5/8" o.d. x 25 ft. 3/8" i.d. x 11/16" o.d. x 25 ft.	250 psi	Rubber	72-1317	1/4" nps (f) air	Brass Plated
	71-282	3/8" i.d. x 11/16" o.d. x 25 ft.	500 psi	Nylon	72-1328	3/8" nps (f) fluid	Brass Plated
KB-4006	71-131	5/16" i.d. x 5/8" o.d. x 5 ft. 9 in.	250 psi	Rubber	72-1317	1/4" nps (f) air	Brass Plated
	71-280	1/4" i.d. x 1/2" o.d. x 6 ft. 3 in.	500 psi	Nylon	72-1306	3/8" nps (f) fluid	Brass Plated

E.P.D.M. = Ethylene Propylene Diene Rubber



Accessories

Paint Suits

DEVILBISS DISPOSABLE COVERALLS			
Part No.	Qty	Size	
803671	12/Case	Medium	
803672	12/Case	Large	
803673	12/Case	XL	
803674	12/Case	3XL	

DEVILBISS REUSABLE COVERALLS			
Part No.	Qty	Size	
803596	6/Case	Medium	
803597	6/Case	Large	
803598	6/Case	XL	
803599	6/Case	3XL	

DEVILBISS REUSABLE LAB COATS			
Part No.	Qty	Size	
803664	6/Case	Medium	
803665	6/Case	Large	
803666	6/Case	XL	
803667	6/Case	3XL	

Disposable Respirators

DEVILBISS CHAMPION™ DISPOSABLE CARTRIDGE RESPIRATORS		
Part No.	Description	Package Qty
803611	DCR-502 Medium	1/bag-12/cs
803612	DCR-503 Large	1/bag-12/cs
803728	DCR-101-K3	3 Pair Replacement N95 Filters

Cartridge Respirator

BINKS MILLENNIUM 3000			
Part No.	Size	Qty	
40-141	Small (Black)	1 Per Clam Shell	
40-128	Medium (Silver)	1 Per Clam Shell	
40-143	Large (Gold)	1 Per Clam Shell	
40-1921*	Filter Cartridge, Organic Vapor	2 Per Blister Card, 10 Blister Cards/Cs	
40-1924*	Pre-Filter, Oil Resistant	2 Per Blister Card, 10 Blister Cards/Cs	
40-1925	Filter Cartridge Covers	2 Per Blister Card	
40-1928	Tune-Up Kit	1 Per Poly Bag	

* Filter cartridges and Pre-Filters are also available in cases of 10 blister card packs
See Binks and DeVilbiss complete line of spray booth performance and safety products catalog A29-55 online at binks.com

Quick Disconnects

DEVILBISS HIGH FLOW AIR QUICK DISCONNECTS*		
Part No.	Description	Thread
HC-1166	Hi-Flow QD Stem	1/4" npt (m)
HC-4419	Hi-Flow QD Stem	1/4" npt (f)
HC-4719	Hi-Flow QD Body	1/4" npt (m)
HC-4720	Hi-Flow QD Body	1/4" npt (f)

* Ideal for HVLP applications. See Accessories Catalog A28-100.

QUICK DISCONNECTS – BAYONETT STYLE (FLUID)					
Part No.	Type	Description	Max. Working Pressure	Connection	Service Form
Binks Style					
72-1804	Body (f)	Stainless Steel	500 psi	3/8" nps (m)	n/a
72-364	Stem (m)	Stainless Steel	500 psi	3/8" nps (f)	n/a
DeVilbiss Style					
P-HC-4808-1	Body (f)	Aluminum	500 psi	3/8" nps (m)	SB-12-001
P-HC-4482	Stem (m)	Hardened Steel	500 psi	3/8" nps (f)	SB-12-001
HC-513-1	Body (f)	Stainless Steel	500 psi	3/8" nps (m)	SB-12-001
QDL-4808	Body (f)	Delrin/Stainless	500 psi	3/8" nps (m)	SB-12-001
HC-4691	Stem (m)	Stainless Steel	500 psi	3/8" nps (f) Swivel	SB-12-001

BINKS QUICK DISCONNECTS (FLUID – SOLVENT BASED)					
Part No.	Type	Description	Max. Working Pressure	Connection	Service Form
72-885	Body (f)	Steel	250 psi	3/8" nps (m)	77-1759
72-887*	Stem (m)	Steel	250 psi	3/8" nps (f)	77-1759

* Replacement o-ring for stem: 20-3620-5 (5-pack Viton)

BINKS QUICK DISCONNECT ASSEMBLIES (FLUID – SOLVENT BASED)			
Part No.	Description	Max. Working Pressure	Service Form
72-888	72-885 Body, 72-887 Stem*	250 psi	77-1759

* Replacement o-ring for stem: 20-3620-5 (5-pack Viton)

Spray Gun & Pump Lubricants / Fluids

Part No.	Description
41-3134	Binks Pump Purge, Case of 12
41-4458-K	PTFE Grease (Magna Lube) .75 oz. Tube
44-285	14 oz. Grease Cartridge – Fits Standard Grease Guns
863009	Wet-Sol Upper Pump Packing Lubricant 1 Quart
42-175	Pump Packing Lubricant 1 Quart
863020	Air Line Lubricant 1 Quart
207-11155-1	Air Motor Lubricant 2 oz.
207-11155-2	Air Motor Lubricant 16 oz.
0114-009433	Pump Packing Lube For Solvent Based Materials, MX Series Pumps
0114-014871	Pump Packing Lube For Water Based Materials, MX Series Pumps
SSL-10-K12	Devilbiss Gun Lube 12 ea 2 oz. Bottles
6-429	Binks Gunners Mate Gun Lube 20 ea 2 oz. Bottles



Accessories

Filters

BINKS AF-HE SPRAY BOOTH EXHAUST FILTERS				
Part No.	Description	Qty	Shipping Weight*	
29-2189	3' x 30' AF-HE Blanket	1	21.00 lbs.	

BINKS AF EXHAUST FILTERS				
Part No.	Description	Qty	Shipping Weight*	
29-2186-3	3' x 30' AF Paper Filter	3	63.00 lbs.	

BINKS PAINT ARRESTOR EXHAUST FILTERS				
Part No.	Description	Qty	Shipping Weight*	
29-158	20" x 25" Pads	70/Case	16.00 lbs.	
29-159	20" x 20" Pads	70/Case	13.00 lbs.	

BINKS SPRAY BOOTH EXHAUST FILTERS			
Part No.	Description	Size	
29-3111	Receptor Filter Pad - 25/Case	20" x 20" x 2"	
29-3112	Receptor Filter Pad - 25/Case	20" x 25" x 2"	
29-3107	Receptor Filter Blanket	36" x 50" x 2"	
29-3109	Receptor Filter Blanket	45" x 50" x 2"	
29-3110	Receptor Filter Blanket	48" x 50" x 2"	

BINKS TIGHT-SEAL™ INTAKE FILTERS				
Part No.	Description	Qty	Shipping Weight*	
29-486	20" x 20" x 1" Intake Filter	20/Case	15.00 lbs.	

Dirt Control

DEVILBISS DIRT CONTROL FLOOR COATS				
Part No.	Description			
803491	Dirt Control Floor Coat 5 gal. Pail			
803492	Pump Sprayer			
29-3160	5 gal. Pail & Pump Sprayer			

Disposable Floor Mat

BINKS DISPOSABLE PAINT BOOTH MATTING				
Part No.	Size	Qty	Sheets Per Mat	
29-3161	36" x 18"	4/case	30	
29-3162	45" x 24"	4/case	30	

* Shipping weights approximate

Spray Booth Floor Paper

BINKS FLAME RETARDANT PAPER	
Part No.	Description
70 LB. FOOT TRAFFIC	
29-843	36" x 500' Roll
29-844	72" x 500' Roll
80 LB. HEAVIER TRAFFIC	
29-863	36" x 300' Roll
29-864	42" x 300' Roll
29-865	60" x 300' Roll
100 LB. FORK LIFT TRAFFIC	
29-872	36" x 300' Roll
29-875	42" x 300' Roll
29-873	60" x 300' Roll

Peelable Spray Booth Coating

BINKS BOOTHCOAT™ PEELABLE SPRAY BOOTH COATING	
Part No.	Description
29-248	1 gal. Can - Dries Clear
29-249	5 gal. Pail - Dries White
29-249-55	55 gal. Drum - Dries White

Clean Surface Prep

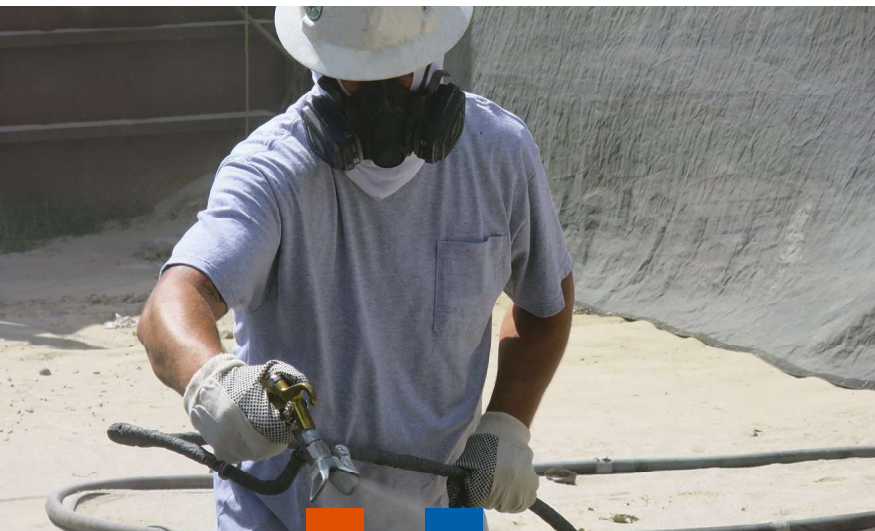
DEVILBISS PAINT PREP WIPES	
Part No.	Qty
803657	300 ct Dispenser Box

DEVILBISS DEWIPE-OUTS™ & DEWIPE-OUTS™ REFILL CASE		
Part No.	Description	Qty
803045	85% IPA/15% DI Water – Normal Climates Formula	50 Wipes/Pouch
803046	50% IPA/50% DI Water – Dry Climates Formula	50 Wipes/Pouch
803418	Acetone Blend – Low VOC Formula	50 Wipes/Pouch
803048	DeWipe-Outs™ Refill Case	1

DEVILBISS TACK WIPE		
Part No.	Description	Qty
803816	Moderate Tack: Cotton Individually Bagged	12/Box

DEVILBISS ANTI-STATIC WIPE		
Part No.	Description	Qty
803553	Individually Bagged	12/Case





DeVilbiss atomization
devilbiss.com



Binks atomization and fluid handling
binks.com



BGK curing and controls
bgk.com



Ransburg electrostatics
ransburg.com

Finishing Brands is the global manufacturing company focused on integrated total system solutions through the spraying, pumping, mixing, metering, and curing of a variety of coatings used in the transportation, general industrial, protective coating, wood, specialty and auto-refinish markets.

With a history spanning 350 years in combined experience, our equipment is designed and built to provide finishing solutions with long term value.

Customers involved in challenging finishing applications in particular, and the industrial marketplace overall, will benefit from Finishing Brands' advanced technology brands: Devilbiss, Ransburg, BGK and Binks.

Sales and Service through our Global Network of Industrial Distributors

International Offices

Americas:	USA • Mexico • Brazil
Europe/Asia/Africa:	United Kingdom • France • Germany
Pacific Rim:	China • Japan • Australia

USA / Canada Toll Free Support
800-992-4657 Customer Support
888-992-4657 Technical Support
888-246-5732 Fax



TROPHY SERIES

Application Versatility • Robust Design • Ergonomics

ATOMIZATION



Start With Confidence.
Finish With A Trophy.



TROPHY SERIES

Application Versatility • Robust Design • Ergonomics

Application Versatility and Consistent Championship Performance – That’s What You Can Expect From Binks Trophy Series Equipment.

Whatever size job or part you’re finishing – whatever material you’re spraying – Binks Trophy Series spray guns provide the technology and confidence needed for most jobs and coatings.



BINKS HAS YOU COVERED.

Pressure Feed Full Size, Pressure Feed Touch Up

Gravity Feed Full Size, Gravity Feed Touch Up

Siphon Feed Full Size, Touch Up

Automatic



TROPHY SERIES

Application Versatility • Robust Design • Ergonomics



WOOD

Wood surfaces can be expertly finished with Trophy guns designed specifically to handle...

Toners

Stains

NGR Stains

Topcoats

TRANSPORTATION

Class A finishes for cars, trailers, trucks, buses, airplanes, helicopters and more are delivered with Trophy Series Spray Guns. You'll get the atomization for optimum spraying...

Primers

Base Coats

Clear Coats

Aerospace specific coatings

SPECIAL COATINGS

Trophy Series Spray Guns and accompanying air caps are fully capable of handling a broad array of coatings and adhesives...

Waterborne lacquers, UV materials and paints

Adhesives for furniture, packaging and automotive applications

High Wear enamels, ceramics, metallics, high solids

TROPHY SERIES

Application Versatility • Robust Design • Ergonomics

Why We Took Ergonomics So Seriously

Binks Trophy Series Spray Guns feel different by design. They're lighter and are easier to handle over longer periods of time. That means operators can spray for longer periods with less fatigue and injury. This can make a big difference to productivity and your bottom line. That's why we take ergonomics so seriously.



BINKS TROPHY SERIES GUNS ARE:

- 1 Light Weight** - one of the lightest spray guns in the industry.
- 2 Designed To The Hand** - our gun designers tested a variety of hands and grips to come up with the ideal design for the Trophy. The form is ultimately about function and reduced stress.
- 3 Trigger Pull** - the easy trigger pull action is created by the unique, built-in stabilization features.
- 4 No Kick Air Valve** - delivers the smoothest trigger pull on the market. Virtually eliminates any recoil from triggering.
- 5 Knobs And Air Cap Rings** - all the hand adjustments have been designed and manufactured to make it nearly effortless to dial in on your settings or remove parts for maintenance or substitution.

TROPHY SERIES

Application Versatility • Robust Design • Ergonomics

COATING TYPES AND APPLICATIONS

From wood to metals to ceramics and more, Binks Trophy Series Spray Equipment can handle your coating needs from start to finish.

Binks Trophy Series Equipment provides all the utility and versatility you need to develop your production plan and execute it with complete confidence.



Each gun can be configured with the appropriate needle and nozzle to accommodate the coating, size of part and type of surface to be finished.

METAL

Trophy Series Spray Guns are your go-to guns regardless of what kind of metal parts you're painting. You'll get high quality coating performance out of...

Urethanes

Latex

Two-component materials

Epoxies

TROPHY SERIES

Application Versatility • Robust Design • Ergonomics



Fluid Nozzles and Needles

Binks Trophy Series Spray Guns can be outfitted with a variety of fluid tips designed and manufactured to handle a broad range of application materials. **These include:**

Finishing At The Front:

Trophy Series Air Caps Attain Industry Leadership

Binks engineering has developed a broad selection of air caps to ensure our ability to provide customers with the right gun with the perfect air cap for the job. The new air cap designs provide uniform spray patterns with consistent atomization from top to bottom.

AIR CAPS AT A GLANCE:

	HVLP	LVMP	CONVENTIONAL
Transfer Efficiency	Meets Regulatory Standards	Equal to or better than HVLP	Less than HVLP and LVMP
Fluid Flow	Good	Better	Best
Tip Range	.85mm to 1.8mm	.5mm to 1.8mm	1.0mm to 2.6mm
			
Air cap CFM	31-H 10.5 @ 10 PSI 32-H 15.5 @ 10 PSI 33-H 11.0 @ 10 PSI 39-H 8.75 @ 10 PSI C1 6.4 @ 10 PSI	22-L 11.2 @ 30 PSI 23-L 10.6 @ 30 PSI 25-L 14.7 @ 30 PSI B1 7.8 @ 30 PSI	11-C 14.2 @ 50 PSI 12-C 12.1 @ 50 PSI 14-C 24.4 @ 50 PSI 16 7.8 @ 50 PSI
	PSI's are specified at the cap	PSI's are specified at the gun inlet	

FLUID TIP

Our stainless steel fluid nozzles are hardened and last 20% longer.*

The stainless steel fluid nozzles are used for general purpose and a wide variety of coatings.

Size range: .5 to 2.6 (mm)

PLASTIC

Plastic needles are typically used for very thin materials including NGR stains.

Size Range: .5 to 2.6 (mm)

TUNGSTEN CARBIDE

Tungsten carbide nozzles and needles are typically used for abrasive materials such as porcelain and ceramics.

Sizes: 1.4, 1.8, 2.2, 2.6 (mm)

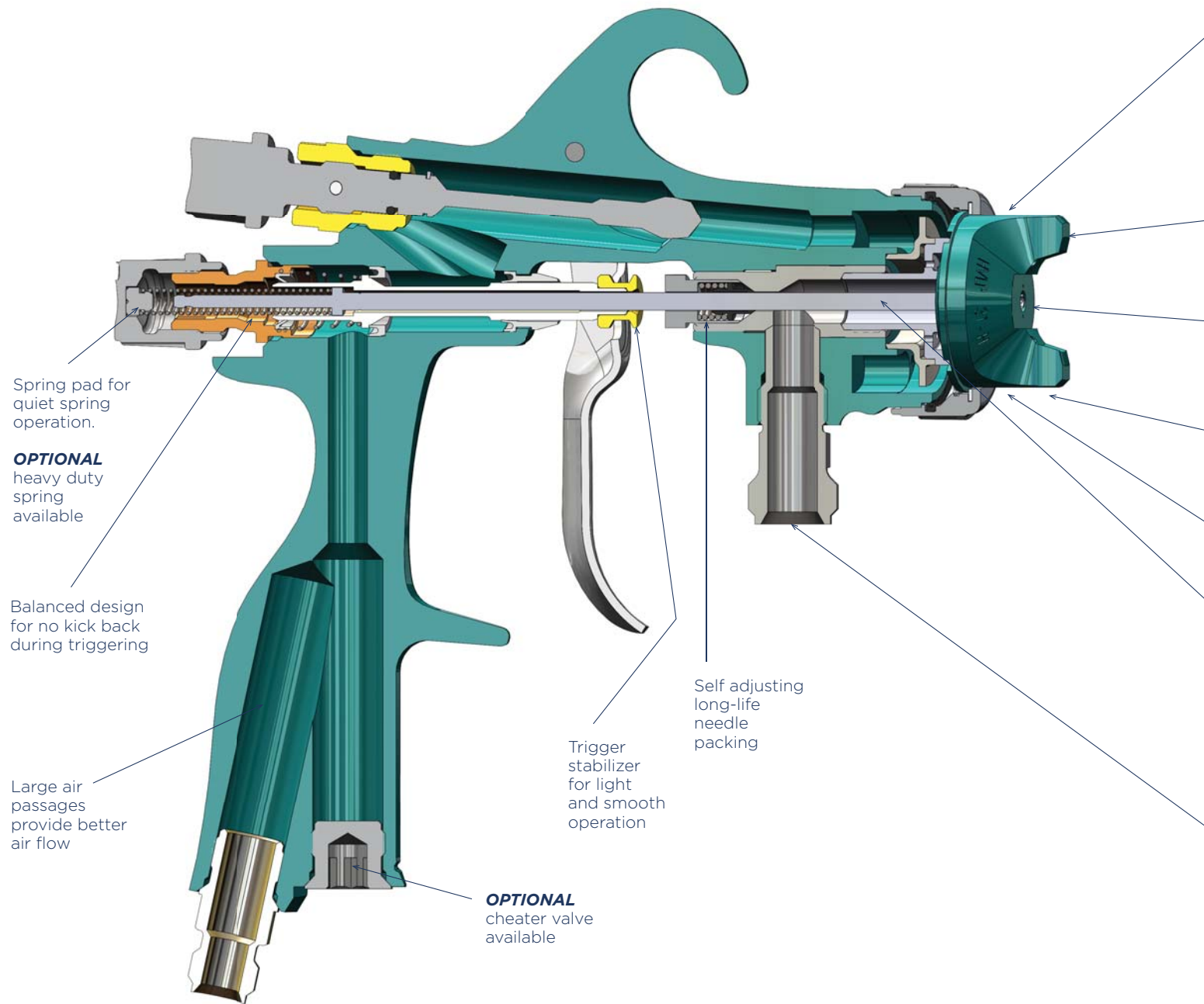
*Based on internal testing of existing Binks and competitor stainless steel. Tested over 1 million cycles.

TROPHY SERIES

Application Versatility • Robust Design • Ergonomics

Anatomy Of A Champion

The Binks Trophy Series Line of Spray Guns Offer Unparalleled Robustness For Industrial Coating and Finishing Requirements.



TROPHY SERIES

Application Versatility • Robust Design • Ergonomics

AIR CAP

- HVLP, LVMP, Conventional
- Three spray technologies can be used on the same gun platform



Long life seal lasts twice as long than typical seals

Balanced and uniform pressure and distribution inside the air cap produces uniform spray particle distribution

Tuff Tip Hardened fluid nozzles last longer

OPTIONAL air cap pin available for Air cap positioning

Easy-grip air cap ring for easy removal and installation

ONE STAINLESS STEEL NEEDLE FOR ALL FLUID NOZZLES REDUCES INVENTORY

Stainless steel fluid passages for wide variety of materials

Needle knob can be used to remove piston for convenience

Needle seal cartridge assembly can be removed as one complete assembly

Combined with our comprehensive and compatible fluid nozzle and needles - including our hardened stainless steel Tuff Tip, plastic needle tips, and tungsten carbide - Trophy series spray equipment is fully capable of spraying the widest range of materials and viscosities.

COATING TYPES

THIN (5-25 Centipoise, 15-19 sec. Zahn 2 Cup) - Wash primers, dyes, stains, solvents, water, inks, sealers, lacquers, lubricants, zinc chromates, acrylics

MEDIUM (20-70 Centipoise, 20-30 sec. Zahn 2 Cup) - Synthetic enamels, varnishes, shellacs, fillers, primers, epoxies, urethanes, lubricants, wax emulsions, enamels

HEAVY (70-160 Centipoise, 31-66 sec Zahn 2 Cup)

ADHESIVES - Water-based vinyl, glues, solvent-based neoprenes, contact cements

CERAMICS - Abrasive materials, glazes, porcelain enamel

ATOMIZATION TECHNOLOGIES

- **HVLP** Air Pressure is less than 10 psi at the air cap. Meets USA standards and regulatory requirements
- **LVMP** Provides equal to or greater transfer efficiency at higher air pressures than HVLP
- **CONV** Can spray at any air pressure. Good for viscous materials

For additional configurations, model numbers, tungsten carbide set-ups, and information, refer to the following spray gun bulletins:

- 77-3026 - Trophy Pressure Feed & Siphon Feed
- 77-3027 - Trophy Gravity Feed
- 77-3042 - Trophy Touch-Up Pressure Feed
- 77-3043 - Trophy Touch-Up Gravity Feed
- 77-3049 - Trophy Automatic

GUN TYPE	SPRAY GUN TECHNOLOGY	COATING TYPES	NEEDLE MATERIAL	TIP SIZE	AIR CAP	ORDER NUMBER
Full Size Gravity	LVMP ●	Thin / Medium	Stainless	1.4 mm (.055)	23-L	2466-14LV-23SG
	LVMP ●	Medium / Heavy	Stainless	1.8 mm (.070)	23-L	2466-18LV-23SG
	HVLP ●	Thin / Medium	Stainless	1.2 mm (.047)	32-H	2466-12HV-32SG
	HVLP ●	Thin / Medium	Stainless	1.4 mm (.055)	32-H	2466-14HV-32SG
	HVLP ●	Medium / Heavy	Stainless	1.8 mm (.070)	32-H	2466-18HV-32SG
Full Size Pressure	LVMP ●	Thin / Medium	Stainless	1.2 mm (.047)	23-L	2465-12LV-23SO
	LVMP ●	Thin / Medium	Stainless	1.4 mm (.055)	23-L	2465-14LV-23SO
Full Size Siphon	LVMP ●	Thin / Medium	Stainless	1.8 mm (.070)	23-L	2465-18LV-23SS
	LVMP ●	Thin / Medium	Stainless	.85 mm	25-L	2465-85LV-25SO
	LVMP ●	Thin / Medium	Stainless	1.0 mm	25-L	2465-10LV-25SO
	LVMP ●	Thin / Medium	Stainless	1.4 mm	25-L	2465-14LV-25SO
	LVMP ●	Thin / Medium	Stainless	1.8 mm	25-L	2465-18LV-25SO
	HVLP ●	Thin / Medium	Stainless	1.2 mm (.047)	32-H	2465-12HV-32SO
	HVLP ●	Thin / Medium	Stainless	1.4 mm (.055)	32-H	2465-14HV-32SO
	HVLP ●	Medium / Heavy	Stainless	1.8 mm (.070)	32-H	2465-18HV-32SO
	HVLP ●	Thin / Medium	Stainless	1.8 mm (.070)	32-H	2465-18HV-32SS
	HVLP ●	Thin / Medium	Stainless	.85 mm	39-H	2465-85HV-39SO
Full Size Siphon	HVLP ●	Thin / Medium	Stainless	1.0 mm	39-H	2465-10HV-39SO
	HVLP ●	Thin / Medium	Stainless	1.2 mm	39-H	2465-12HV-39SO
	HVLP ●	Thin / Medium	Stainless	1.4 mm	39-H	2465-14HV-39SO
	Conventional ●	Thin / Medium / Mold Release / Non-Stick	Stainless	1.4 mm (.055)	11-C	2465-14CN-11SO
	Conventional ●	Medium / Heavy	Stainless	1.8 mm (.070)	11-C	2465-18CN-11SO
Full Size Siphon	Conventional ●	Thin / Medium / Adhesives / Non-Stick	Stainless	1.8 mm (.070)	12-C	2465-18CN-12SS
Touch Up Gravity	LVMP ●	Thin	Stainless	1.0 mm (.040)	B1	1466-10LV-B1S
Touch Up Gravity	LVMP ●	Thin / Medium	Stainless	1.2 mm (.047)	B1	1466-12LV-B1S
Touch Up Gravity	HVLP ●	Thin	Stainless	1.0 mm (.040)	C1	1466-10HV-C1S
Touch Up Gravity	HVLP ●	Thin / Medium	Stainless	1.2 mm (.047)	C1	1466-12HV-C1S
Touch Up Pressure	HVLP ●	Thin	Stainless	1.0 mm (.040)	C1	1465-10HV-C1S
Touch Up Pressure	HVLP ●	Thin / Medium	Stainless	1.2 mm (.047)	C1	1465-12HV-C1S
Automatic	HVLP ●	Thin / Medium	Stainless	1.2 mm (.047)	32-H	3465-12HV-32SO
Automatic	HVLP ●	Thin / Medium	Stainless	1.4 mm (.055)	32-H	3465-14HV-32SO
Automatic	HVLP ●	Medium	Stainless	1.6 mm (.063)	32-H	3465-16HV-32SO
Automatic	HVLP ●	Medium / Heavy	Stainless	1.8 mm (.070)	32-H	3465-18HV-32SO
Automatic	HVLP ●	Thin / Medium	Stainless	.85 mm	39-H	3465-85HV-39SO
Automatic	HVLP ●	Thin / Medium	Stainless	1.0 mm	39-H	3465-10HV-39SO
Automatic	HVLP ●	Thin / Medium	Stainless	1.2 mm	39-H	3465-12HV-39SO
Automatic	HVLP ●	Thin / Medium	Plastic	1.3 mm	39-H	3465-12HV-18PO
Automatic	HVLP ●	Thin / Medium	Stainless	1.4 mm	39-H	3465-14HV-39SO
Automatic	LVMP ●	Thin / Medium	Stainless	1.2 mm (.047)	23-L	3465-12LV-23SO
Automatic	LVMP ●	Thin / Medium	Stainless	1.4 mm (.055)	23-L	3465-14LV-23SO
Automatic	LVMP ●	Medium	Stainless	1.6 mm (.063)	23-L	3465-16LV-23SO
Automatic	LVMP ●	Thin / Medium	Stainless	.85 mm	25-L	3465-85LV-25SO
Automatic	LVMP ●	Thin / Medium	Stainless	1.0 mm	25-L	3465-10LV-25SO
Automatic	LVMP ●	Thin / Medium	Stainless	1.2 mm	25-L	3465-12LV-25SO
Automatic	LVMP ●	Thin / Medium	Stainless	1.4 mm	25-L	3465-14LV-25SO
Automatic	Conventional ●	Thin	Stainless	1.0 mm (.040)	11-C	3465-10CN-11SO
Automatic	Conventional ●	Thin / Medium	Stainless	1.2 mm (.047)	11-C	3465-12CN-11SO
Automatic	Conventional ●	Thin / Medium	Stainless	1.4 mm (.055)	11-C	3465-14CN-11SO
Automatic	Conventional ●	Medium / Heavy	Stainless	1.8 mm (.070)	11-C	3465-18CN-11SO
Automatic	Conventional ●	Heavy	Stainless	2.0 mm (.079)	14-C	3465-20CN-14SO
Automatic	Conventional ●	Heavy	Stainless	2.2 mm (.087)	14-C	3465-22CN-14SO

TROPHY SERIES

Application Versatility • Robust Design • Ergonomics



TROPHY GUN OUTFITS

	GENERAL REPAIR KIT	NEEDLE PACKING KIT	AIR VALVE KIT	SIDE PORT VALVE REPAIR KIT	BAFFLE/SEPARATOR KIT	PISTON O-RING KIT
Full Size	54-6135	54-6130-K	54-6131-K	GTI-428-K5	54-6102-K3	N/A
Touch Up	54-6136	54-6130-K	54-6131-K	GTI-428-K5	54-6215-K5	N/A
Automatic	N/A	54-6319	N/A	GTI-428-K5	54-6102-K3	54-6328-K3

Reference service manuals for kit components and complete list of replacement parts

TROPHY GUN OUTFITS

	TYPE	OUTFIT NO.	CONTENTS
Gravity Gun Kit	Gravity HVLP	2466-HV1	2466-14HV-32SG with extra 1.2mm and 1.8mm fluid tips
Gravity Gun Kit	Gravity LVMP	2466-LV1	2466-14LV-23SG with extra 1.2mm and 1.8mm fluid tips
Pressure Gun Kit	Pressure HVLP	2465-HV1	2465-14HV-32S0 with extra 1.0mm and 1.8mm fluid tips
Pressure Gun Kit	Pressure LVMP	2465-LV1	2465-14LV-23S0 with extra 1.0mm and 1.8mm fluid tips
Pressure Gun Kit	Pressure CONV	2465-CN1	2465-14CN-11S0 with extra 1.0mm and 1.8mm fluid tips
2.8 Gallon Tank	Pressure HVLP	98-3156	2.8 Gallon Galvanized Pressure Tank (83C-220), Trophy Gun with 1.4mm tip (2465-14HV-32S0), 25' Fluidall fluid hose (71-3383), 25' ErgoFlex air hose (71-31101), and 15' premium air hose (71-1203)
2.8 Gallon Tank	Pressure LVMP	98-3157	2.8 Gallon Galvanized Pressure Tank (83C-220), Trophy Gun with 1.4mm tip (2465-14LV-23S0), 25' Fluidall fluid hose (71-3383), 25' ErgoFlex air hose (71-31101), and 15' premium air hose (71-1203)
2 QT Pressure Cup	Pressure TouchUp HVLP	98-3158	2 QT Pressure Cup (80-295), Trophy TouchUp gun with 1.2mm tip (1465-12HV-C1S), and 6' fluid/air hose set (KB-4006)
55 Gallon Piston Pump	Pressure CONV	98-3063	Pogo Plus Piston Pump (PX1304-5U), Trophy Gun with 1.8mm tip (2465-18CN-11S0), Air Control (41-28272), 28' Air Hose (71-4803), 25' Fluidall Hose (71-3303), Drum Bung Adaptor (41-28331)
DX70 Diaphragm 5 Gallon Pail Mount	Pressure HVLP	98-3221	DX70 Diaphragm Pump (DX70R3-PF), Trophy HVLP Gun Kit (2465-HV1), 25' Air/Fluid Hose Set (6-438)
DX70 Diaphragm 5 Gallon Cart Mount	Pressure HVLP	98-3226	DX70 Diaphragm Pump (DX70R3-CF), Trophy HVLP Gun Kit (2465-HV1), 25' Air/Fluid Hose Set (6-438)
DX70 Diaphragm 5 Gallon Tripod Mount	Pressure HVLP	98-3227	DX70 Diaphragm Pump (DX70R3-TF), Trophy HVLP Gun Kit (2465-HV1), 25' Air/Fluid Hose Set (6-438)
DX70 Diaphragm 5 Gallon Wall Mount	Pressure HVLP	98-3228	DX70 Diaphragm Pump (DX70R3-WF), Trophy HVLP Gun Kit (2465-HV1), 25' Air/Fluid Hose Set (6-438)
Gemini II Diaphragm 5 Gallon Pail Mount w/ Agitator	Pressure LVMP	98-3202	Gemini II 1/2" Acetal Short Stroke Package (GEM2-P2D1D60), Trophy Gun w/ 1.4mm Tip (2465-14LV-23S0)
Gemini II Diaphragm 5 Gallon Pail Mount	Pressure LVMP	98-3207	Gemini II 1/2" Acetal Short Stroke Package (GEM2-P2D1O60), Trophy Gun w/ 1.4mm Tip (2465-14LV-23S0)
Gemini II Diaphragm 55 Gallon Wall Mount	Pressure HVLP	98-3215	Gemini II 1/2" Acetal Short Stroke Package (GEM2-W2D3O80), Trophy Gun w/ 1.4mm Tip (2465-14HV-32S0)

For additional Gemini II and DX70 outfits refer to Fluid Handling Products Catalog A41-114

AIR CAP TEST KITS

HVLP	LVMP	CONVENTIONAL
54-6151-K	54-6146-K	54-6140-K
54-6152-K	54-6147-K	54-6141-K
54-6153-K	54-6149-K	54-6142-K
54-6154-K	22-L Kit	11-C Kit
54-6226	23-L Kit	12-C Kit
31-H Kit	25-L Kit	14-C Kit
32-H Kit		
33-H Kit		
39-H Kit		
C1 Touch Up		



SOLUTIONS FOR YOUR WORLD

www.carlisleft.com

World Class Manufacturers of: | Process Controls | Curing & Conveying
Electrostatics | Fluid Handling | Powder Coating | Atomization

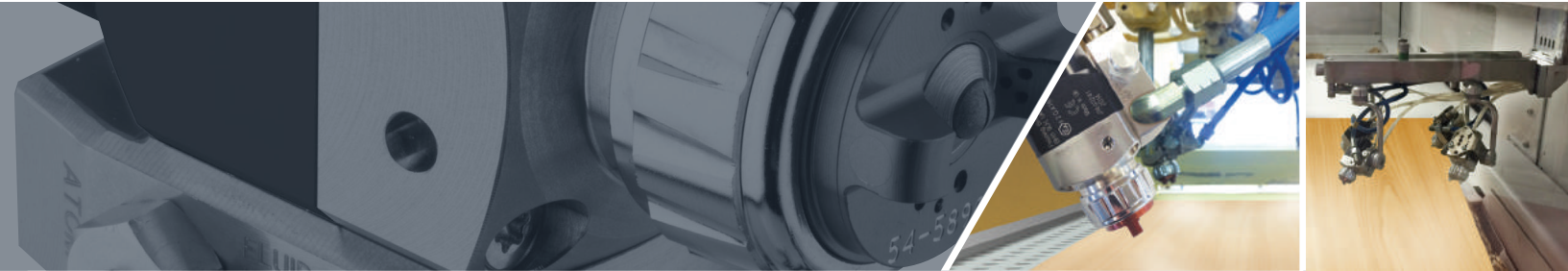
Carlisle Fluid Technologies US
16430 N. Scottsdale Road, Suite 450
Scottsdale, AZ 85254

Tel: 1-800-992-4657
Fax: 877-790-6965
Email: ghcustserv@carlisleft.com

AG-363 AIR ASSISTED AIRLESS HVLP

Automatic Manifold Spray Gun

ATOMIZATION

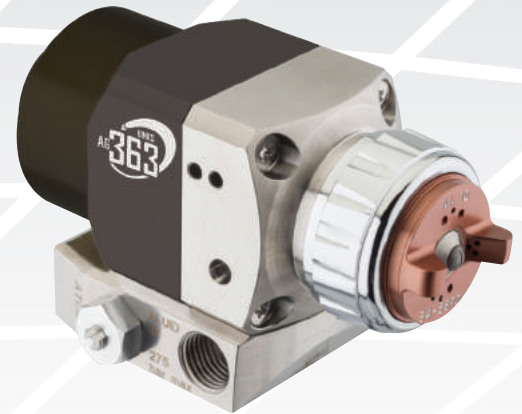


The Binks AG-363 combines the best features of Air Assisted Airless atomization and Binks engineering to provide a superior atomization and finish quality coupled with the highest possible transfer efficiencies, resulting in significant paint savings while complying with the toughest EPA regulations.

The AG-363 is a highly advanced Air Assisted Airless automatic spray gun that can be rapidly detached from its low profile manifold block using

a simple hexagon key, for fast and easy maintenance and serviceability. This unique feature from Binks dramatically reduces production downtime and increases profitability.

Binks AG-363 is ideally suited for multigun finishing machines where repeatable high quality gun performance and total application flexibility are vital to high production environments and efficient throughput.



Unique single screw attachment to manifold allows quick and easy removal for maintenance and cleaning, reducing downtime

HVLP air cap technology produces excellent atomization with superior transfer efficiency and finishes

Air cap has optional 15° indexing for fast and repeatable air cap and tip positioning

Manual adjust air controls for easy spray fan adjustment and width control

Stainless Steel gun head and fluid passageways for Water based and Solvent based coating compatibility

Tungsten Carbide needle and seat for long working life and enhanced abrasion resistance

Choice of paint recirculation through gun head or manifold

MARKETS AND APPLICATIONS

- Fixed gun installations
- Rotary finishing machines
- Reciprocators - vertical and horizontal
- Robot applicators

AG-363 AIR ASSISTED AIRLESS HVLP

Automatic Manifold Spray Gun

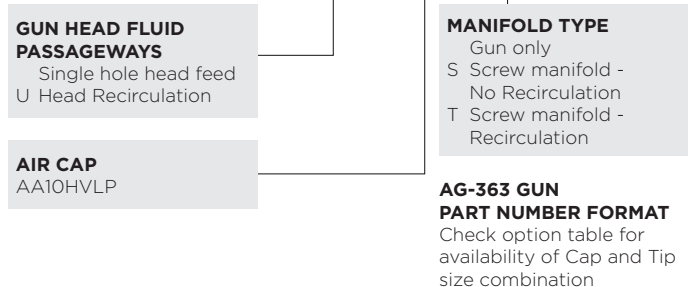


To order AG-363 Standard Tips insert the numbers from the chart into this part number: 114-XXXXX

Tip Size	Fan Width (inch/mm) Maximum								
	2"/50 mm	4"/100 mm	6"/150 mm	8"/200 mm	10"/250 mm	12"/300 mm	14"/350 mm	16"/400 mm	18"/450 mm
0.007/0.18		00704	00706	00708					
0.009/0.23	00902		00906	00908	00910	00912			
0.011/0.28		01104	01106	01108	01110	01112	01114		
0.013/0.33		01304	01306	01308	01310	01312	01314	01316	
0.015/0.38			01506	01508	01510	01512	01514	01516	01518
0.017/0.43			01706	01708	01710	01712	01714	01716	01718
0.019/0.48			01906	01908	01910	01912	01914	01916	01918
0.021/0.53					02110	02112	02114	02116	02118
0.024/0.61					02410	02412	02414	02416	02418
0.027/0.69					02710	02712	02714	02716	02718

Fine finish tips are also available for AG-363 (see service bulletin).

AG 363 U - AA10 - X



The SPA-185-K disc fluid filter can be mounted between the manifold and gun for final fluid filtering prior to the spray tip (not recommended for head recirculation guns)



Simple Air and Fluid hook-up and low profile air controls for easy use



In addition to the 114 series Premium Tip range there is the 9-series Fine Finish range



The unique Binks AA10 HVLP (54-5890-K) air cap atomizes at lower air pressures to provide the highest transfer efficiency with optimum finish.

Spray Gun Specifications

Gun Dimensions & Weights	
AG363 Gun size (W x H x D)	111 x 44 x 44
AG363 Gun weight	525 g
Manifold Dimensions & Weights	
Screw manifold size (W x H x D)	59 x 63 (inc valves) x 20
Screw manifold weight	268 g
AG-360S Screw Manifold Connections	
CYL Air inlet connection	1/8" G Female
Fluid inlet connection	1/4" NPS Female
Fluid outlet connection	1/4" NPS Female
CAP Air inlet (ATOM + FAN)	1/4" G Female
Manifold body and passageways	Stainless Steel

Gun Specifications	
Max Air Input Pressure	10 bar/145 psi
Max Fluid Input Pressure	275 bar/4000 psi
Trigger Air Pressure	4 to 10 bar/60 to 145 psi
Max Ambient Operating Temperature	85°C/185°F
Gun Head and Fluid Passageways	Stainless Steel
Gun Body Material	Anodised Aluminium
Manifold Material	Stainless Steel
Air Cap Material	Anodised Aluminium
Fluid Needle and Seat Material	Stainless Steel, Tungsten Carbide
Seals and O rings	HDPE, FEPM

For further technical information refer to the Binks AG- 363 Service Bulletins.



SOLUTIONS FOR YOUR WORLD

www.carlisleleft.com

World Class Manufacturers of: | Process Controls | Curing & Conveying
Electrostatics | Fluid Handling | Powder Coating | Atomization

Carlisle Fluid Technologies US
16430 N. Scottsdale Road, Suite 450
Scottsdale, AZ 85254

Tel: 1-800-992-4657
Fax: 1-877-790-6965
Email: ghcustserv@carlisleleft.com

DEVILBISS AG-360 SERIES

DEVILBISS®

Low Pressure Air Atomization Automatic Spray Gun Range

ATOMIZATION



Professional spray equipment for universal superior performance

Using the acknowledged market leading low Pressure Air Atomization technology from DeVilbiss, the AG-360 series has been developed to provide a blend of finish quality, engineering robustness and superior transfer efficiency.

The AG-360 Auto gun Series from DeVilbiss is available in various gun formats to provide an all-encompassing and universal automatic finishing solution for all applications.

Designed to function in the tough working environment of the modern finishing industry, these guns give you maximum productivity with minimum downtime.

A comprehensive range of CONventional, HVLP and Trans Tech (High Efficiency) Air Caps provide a choice of environmental compliance, transfer efficiency, atomization power and application requirements.

Simple construction and easy maintenance for minimal down-time

Stainless Steel Fluid Passageways for water based & solvent based coating applications

Quick detachable mounting manifolds provide fast and easy maintenance

Compact size and weight for easy positioning and precise alignment

Multiple options and formats to evolve for all application requirements

Independent Fan, Atomizing and Trigger Air - vital for robotic and fully automatic machine applications

AG-361 variants are designed to be cost effective guns with maximum control and serviceability. Available in two models - the **AG-361** for general industrial finishing and the **AG-361E** for the ceramics industry.

The **AG-362** guns are more versatile designs - the **AG-362** for general industry and the **AG-362P** particularly developed for the cosmetics and glass industries.

The **AG-362** guns are available with two different design manifolds to allow you to choose the layout of air/fluid connection and method of gun attachment. The **AG-362L** lever operated version for fastest removal and the **AG-362S** screw attached version with multiple machine mounting options and smaller size.



DEVILBISS AG-360 SERIES

Typical coating types and applications

- Solvent and Water Based Paints and Materials
- Wood sector Stains, Sealers and Topcoats
- Adhesives and Glues
- Ceramics, Enamel and Glaze
- Epoxy Primers and Polyurethane Top coats
- Air drying, stoving and 2K coatings
- UV and radiation cured finishes

Typical Mounting

- Rotary & Carousel Machines
- Reciprocators & Tranverse equipment
- Robot & complex gun movers
- Fixed spray stations

AG-361 Non-Manifold Gun

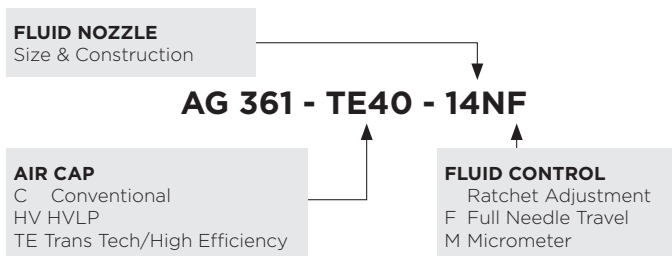
- Low Pressure Air Atomizing Spray gun for fine finishing and General Industrial applications.
- AG-361 series shares common Air Caps and fluid tips with the market leading DeVilbiss PRO Lite hand gun. This means the AG-361 range offer consistent application parameters between Automatic and Hand spray stations in the same facility
- Modular, easy to maintain gun construction
- High Grade Stainless Steel gun head and fluid passageways for use with all coating types
- Air Caps available in HVLP, Trans Tech/High Efficiency and CONVENTIONAL Air Atomization versions
- Total control of application parameters by means of independent Atomizing and Spray Pattern air plus an 18 'click' per revolution fluid needle control knob.

Evolve for your process with Accessories...

- Atomization Type
- Fluid Needle & Nozzle size
- Fluid Needle & Nozzle construction
- Local ATOM & FAN air control or Remote control
- 18 click/rev needle control or full needle opening with remote fluid control or Micrometer fluid control
- 90° Air cap indexing or free rotation
- Dead-head fluid feed or Recirculating.



Shown above
Part Number: AG361-TE40-085N



AG-361 GUN PART NUMBER FORMAT
Check option table for availability of Cap and Tip size combination

Air Cap and Fluid Nozzle Options AG-361 Gun

Air Cap	Atomization Type	0.85 mm	1.0 mm	1.2 mm	1.4 mm	1.6 mm	1.8 mm	2.0 mm	2.2 mm
C1	Conventional	S	S	S	S	S	S		
C2	Conventional	S	S	S	S	S	S		
C3	Conventional	S	S	S	S	S	S		

These Air Caps match with PROC-215-XX Fluid Nozzle where XX=orifice size

HV30	HVLP	S	SN	S	SN	S	SN	S	SN
HV40	HVLP	S	SN	S	SN	S	SN	S	SN
TE10	Trans Tech (High Efficiency)	S	SN	S	SN	S	SN	S	SN
TE20	Trans Tech (High Efficiency)	S	SN	S	SN	S	SN	S	SN
TE30	Trans Tech (High Efficiency)	S	SN	S	SN	S	SN	S	SN
TE40	Trans Tech (High Efficiency)	S	SN	S	SN	S	SN	S	SN
TE40R	Trans Tech (High Efficiency)	S	SN	S	SN	S	SN	S	SN

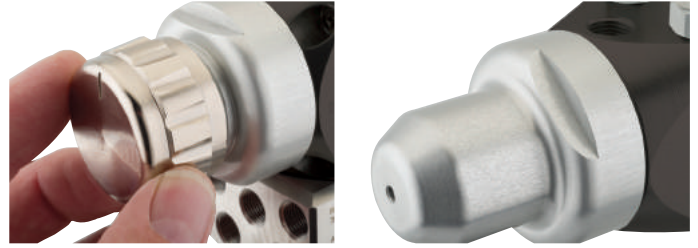
These Air Caps match with PRO-205-XX Fluid Nozzle where XX=orifice size

S = High Quality Stainless Steel Tips & Needles available in this type & size
N = Nitride Hardened Tips & Needles also available in this type & size

DEVILBISS AG-360 SERIES

Evolve...

Standard 18 click per revolution ratchet fluid needle adjusters for close-up local manual control are fitted to all AG-360 series guns as standard. Optional SPA-167-K unrestricted full needle travel end cap for remote fluid control using a fluid regulator available as an accessory.



AG-361E Ceramic & Enamel Industry Gun

Gun shown AG361E-C62-28C



AG-361E Ceramic & Enamel Industry Version

A specialized version of the AG-361 for the application of Ceramic Glaze and Waterbased Enamels. The AG-361E has an extended range of specialist Air Caps and Fluid Nozzles capable of handling the high fluid flows and abrasive nature of the coating and environment.

- Completely new dedicated air cap range for the superior application of coatings onto sanitaryware, tableware and all ceramicware
- Stainless Steel, Hardened Stainless, Nitride Hardened and Tungsten Carbide version Fluid Nozzles & Needles for abrasive coatings
- Special O ring needle packing designed for waterbased abrasive particle coatings.

FLUID NOZZLE
Size & Construction

AG361E - C62 - 28CF

AIR CAP
C Conventional
HV HVLP
TE Trans Tech/High Efficiency

FLUID CONTROL
Ratchet Adjustment
F Full Needle Travel
M Micrometer

Air Cap and Fluid Nozzle Options AG-361E Gun

Air Cap	Atomization Type	1.4 mm	1.6 mm	1.8 mm	2.0 mm	2.2 mm	2.8 mm
C1	Conventional	S	S	S			
C2	Conventional	S	S	S			
C3	Conventional	S	S	S			

These Air Caps match with PROC-215-XX Fluid Nozzle where XX=orifice size

HV30	HVLP	SN	S	SN	S	SN	
HV40	HVLP	SN	S	SN	S	SN	
TE10	Trans Tech (High Efficiency)	SN	S	SN	S	SN	
TE20	Trans Tech (High Efficiency)	SN	S	SN	S	SN	
TE30	Trans Tech (High Efficiency)	SN	S	SN	S	SN	
TE40	Trans Tech (High Efficiency)	SN	S	SN	S	SN	
TE40R	Trans Tech (High Efficiency)	SN	S	SN	S	SN	

These Air Caps match with PRO-205-XX Fluid Nozzle where XX=orifice size

C62	Conventional						SNC
C64	Conventional					SNC	
C67	Conventional	SN		SNC			

These Air Caps match with PRO-250-XX Fluid Nozzle where XX=orifice size

S = High Quality Stainless Steel Tips & Needles available in this type & size
N = Nitride Hardened Tips & Needles also available in this type & size
C = Tungsten Carbide Tips and Needles also available in this type & size

**AG-361E GUN
PART NUMBER FORMAT**
Check option table for availability of Cap and Tip size combination

DEVILBISS AG-360 SERIES

AG-362 Industrial Coating Gun

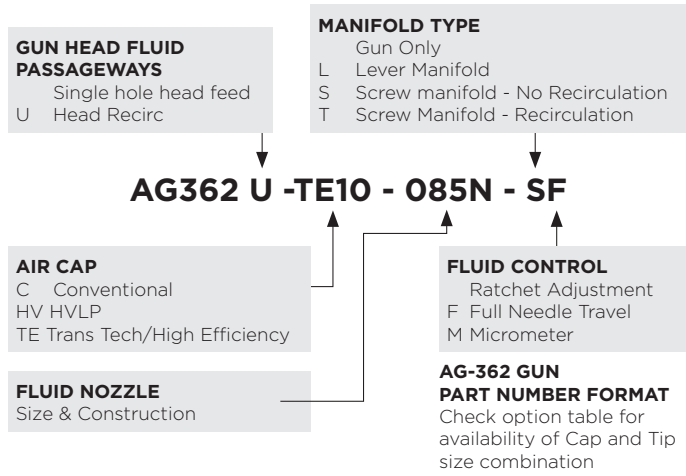
Built to the same superior specification as the AG-361 automatic guns but with the addition of a quick detachable manifold base. This allows the gun to be quickly and easily removed for maintenance, cleaning or change-over without disturbing the positional settings. On re-attaching the fluid and air can be turned back on and the gun is instantly in the right location ready for operation.

Two manifold versions are available:

- A lever operated cam version allowing very fast removal and replacement of the gun during the production process
- A low profile screw attached version which also has the pressure capability for mounting the A-363 Air Assisted Airless Automatic gun. Just swap gun, change pump and spray!



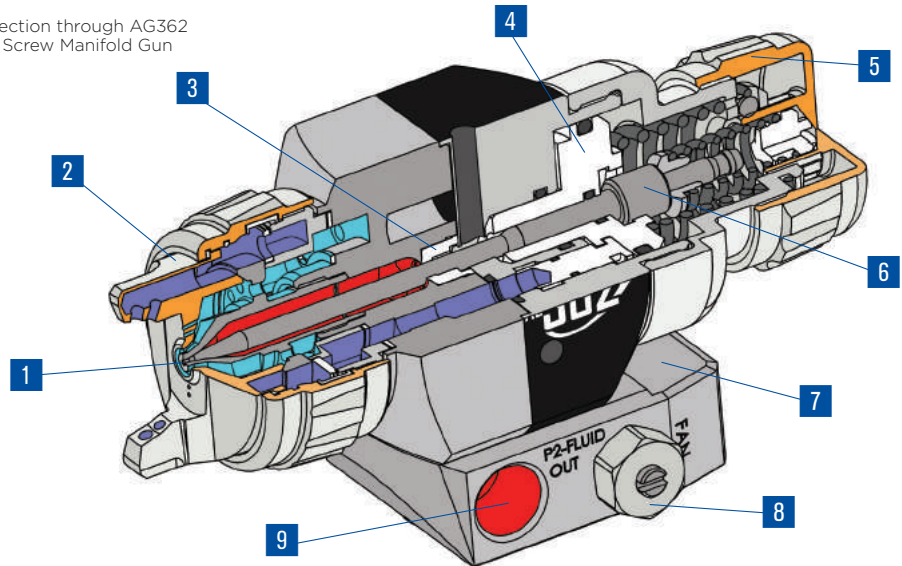
Shown above
Right AG362-TE40-085N-S
Left AG362-C3-14-L



AG-362 Removable Manifold Gun

- 1** Fluid Tip
- 2** Air Cap
- 3** Needle Packing
- 4** Main Piston
- 5** Fluid Control
- 6** Fluid Needle
- 7** Detachable Manifold
- 8** Air Valve (one of two fitted, low profile version shown)
- 9** Fluid Inlet

Section through AG362 Screw Manifold Gun



Evolve...

Screw air control valves for local control of fan and atomizing air pressures are fitted to all AG-360 series guns as standard. SPA-22 adaptors for connection to external, remote, air regulation and control available as an accessory.



Air Cap and Fluid Nozzle Options AG-362 Spray Gun

Air Cap	Atomization Type	0.85 mm	1.0 mm	1.2 mm	1.4 mm	1.6 mm	1.8 mm	2.0 mm	2.2 mm
C1	Conventional	S	S	S	S	S	S		
C2	Conventional	S	S	S	S	S	S		
C3	Conventional	S	S	S	S	S	S		

These Air Caps match with PROC-215-XX Fluid Nozzle where XX=orifice size

HV30	HVLP	S	SN	S	SN	S	SN	S	SN
HV40	HVLP	S	SN	S	SN	S	SN	S	SN
TE10	Trans Tech (High Efficiency)	S	SN	S	SN	S	SN	S	SN
TE20	Trans Tech (High Efficiency)	S	SN	S	SN	S	SN	S	SN
TE30	Trans Tech (High Efficiency)	S	SN	S	SN	S	SN	S	SN
TE40	Trans Tech (High Efficiency)	S	SN	S	SN	S	SN	S	SN
TE40R	Trans Tech (High Efficiency)	S	SN	S	SN	S	SN	S	SN

These Air Caps match with PRO-205-XX Fluid Nozzle where XX=orifice size

S = High Grade Stainless Steel available in this type and size
 N = Nitride Hardened Tips & Needles available in this type & size

Evolve...

Air Cap 360° swivel fitted to all AG-361 guns as standard. 90° Index Air Baffle to interact with Air Cap design giving positive 90° indexing and positioning available as an accessory.



AG-362P Petite Head Removable Manifold Gun

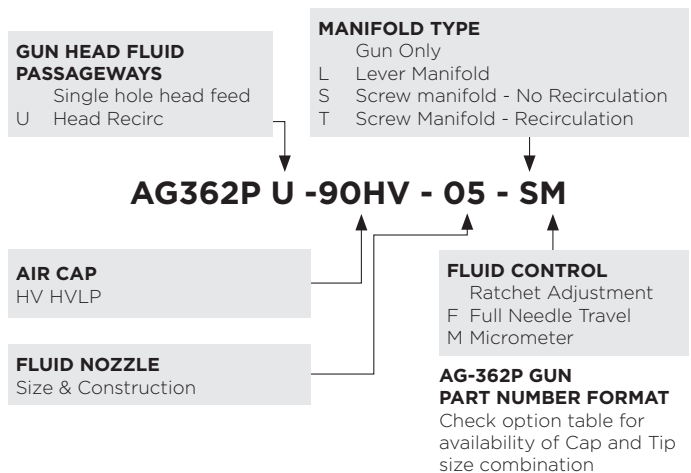


AG-362P 'Petite' small head version

A modified manifold mounted gun designed for the precision application of coatings onto cosmetics packaging and glassware. The gun utilizes 'Petite' precision air caps and fluid nozzles specifically designed for this style of application. For extra-fine fluid control the gun is fitted with a Micrometer vernier needle control knob assembly that allows ultra-fine precision fluid setting.

Evolve...

Precision Micrometer needle adjustment can be fitted as standard on all AG-361 and AG-362 guns. It is also available as an accessory.



'Petite' front end with exceptional atomization and application capabilities.



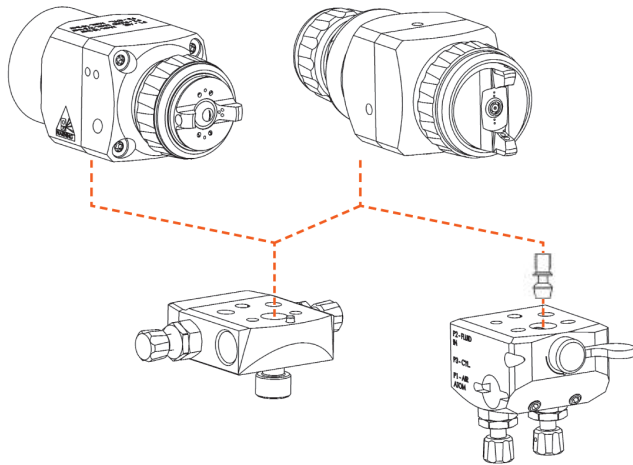
Optional FFKM Manifold interface seals for compatibility with aggressive solvents eg Acetone & MEK, typically used in the glass and cosmetics industry.

Air Cap and Fluid Nozzle Options

AG-362P Air Cap	Atomization Type	H 0.5 mm	G 0.7 mm	FHV 1.0 mm
90HV	HVLP	S	S	S

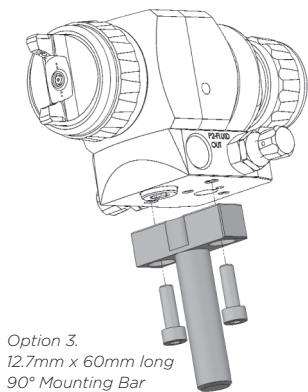
These Air Caps match with CV-30-X Fluid Nozzle where X=orifice size code letter
 S = High Grade stainless steel Tips and Needles available in this type & size

AG-362 Manifold options and features

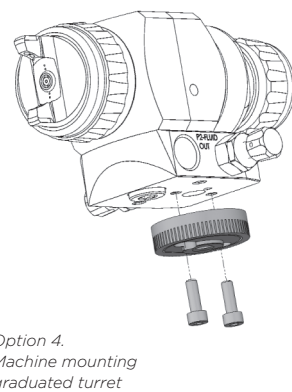


AG-362 Low Profile Screw manifold Mounting Options

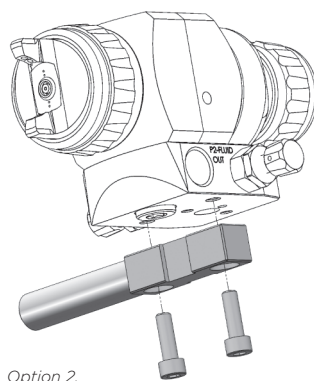
Designed for multiple mounting options, this Manifold can be supplied with four different mounting fixtures (shown below). These fixtures are attached to the manifold surface using 2 x M5 and 2 x M4 threaded holes (exact locations available on request) which, in turn, may be used by the customer to attach the gun in any orientation and location required by the customer.



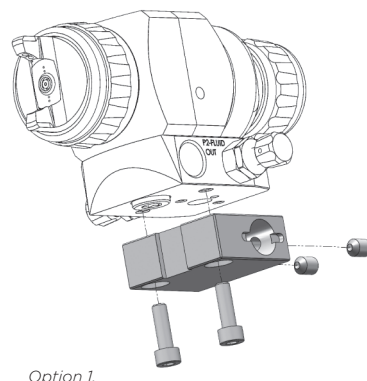
Option 3.
12.7mm x 60mm long
90° Mounting Bar



Option 4.
Machine mounting
graduated turret



Option 2.
12.7mm x 60mm long
Mounting Bar



Option 1.
12.7mm Mounting hole

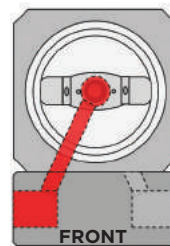
AG-362 Manifold options and features

Two manifold options exist for the **AG-362** variant guns – a lever operated version and a Low profile Screw version. The lever operated version gives the ability to remove the gun in the minimum time and utilizes a 12.7mm dia mounting hole. The Screw version provides a lower profile for restricted machine mounting spaces, and greater mounting versatility. However the low profile screw version also has the ability and pressure rating to directly mount the **AG-363** Air Assisted Airless Automatic gun. For high production rotatory and reciprocating machine users this feature allows increased flexibility and space saving to mount different guns for different coating types.

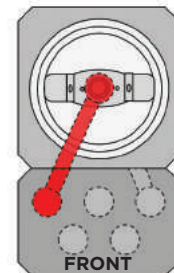


AG-362 Manifold Fluid Feed Options

Depending upon which manifold the gun is mounted on (Lever or Screw) fluid feed to the gun head can be by several different ways.



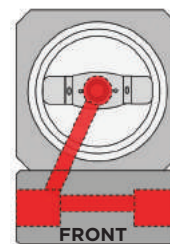
Option 4. Screw Manifold.
AG-362 Fluid Inlet Left.
Buy non-recirculating
Base version ready for this
format from DeVilbiss.



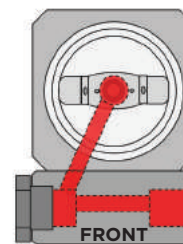
Option 5. Lever Manifold.
AG-362. Single fluid
input from left. Buy non
recirculating gun head
version from DeVilbiss.



Option 6. Lever
Manifold. AG-362. Head
Recirculation. Buy
Recirculating gun head
version of gun from
DeVilbiss.



Option 1. Screw
Manifold. AG-362 Base
Recirculation. Fluid Entry
from Left or Right. Buy
recirculating Base version
ready for this format from
DeVilbiss.



Option 2. Screw Manifold.
AG-362 Fluid Inlet Right.
Buy recirculating Base
version ready for this
format from DeVilbiss and
plug unwanted fluid inlet
with SPA-94.



Option 3. Screw
Manifold. AG-362 Head
Recirculation. Buy
Recirculating gun head
version from DeVilbiss.

DEVILBISS AG-360 SERIES

Low Pressure Air Atomization Automatic Spray Gun Range



Spray Gun Specifications

Gun Dimensions & Weights	
AG-361 Size (L x H x W) mm	140 x 67 (inc valves) x 44
AG-361 Weight	668 g (inc air cap)
AG-362 Gun Size (L x H x W) mm	122 x 44 x 44
AG-362 (Gun only) Weight	557 g (inc air cap)
AG-362P Size (L x H x D) mm	145 x 44 x 44
AG-362P (Gun only) Weight	524 g (inc air cap)
Manifold Dimensions & Weights	
Cam Manifold Size (L x W x H) mm	60 x 44 x 53 (inc valves)
Cam Manifold Weight	347 g
Screw Manifold Size (L x W x H) mm	59 x 63 (inc valves) x 20
Screw Manifold Weight	268 g
All Guns	
Max Air Input Pressure (P1)	7 bar
Max Fluid Input Pressure (P2)	7 bar
Max Operating Ambient Temperature	40°C nominal
Gun Head & Fluid Passageways	Stainless Steel
Gun Body Material	QuickClean™ coated Aluminium
Manifold Material	Stainless Steel
Fluid Nozzle & Needle Materials	303 Stainless Steel, Nitride coated Stainless Steel, Tungsten carbide
Seals & O rings	HDPE, FEPM, PTFE, FFKM

Fluid & Air Inlets

AG-361 Industrial & Enamel Guns	
CYL Air inlet connection	1/8" G
Fluid Inlet connection	1/4" G
CAP Air Inlet connection	1/4" G
AG-362L Lever Manifold	
CYL Air inlet connection	1/8" G
Fluid Inlet connection	1/8" G
Fluid Outlet connection	1/8" G
ATOM Air inlet connection	1/8" G
FAN Air inlet connection	1/8" G
AG-362S Screw Manifold	
CYL Air inlet connection	1/8" G
Fluid Inlet connection	1/4" NPS
Fluid Outlet connection	1/4" NPS
CAP Air inlet (ATOM+FAN)	1/4" G



Completing the range – the AG-363 Air Assisted Airless Automatic spray gun. Invaluable for high speed, high efficiency spraying.

360 Series Air Cap Chart

Air Cap and Type	Air Consumption	Air Inlet Pressure Recommended	*Typical Fluid Flow	*Typical Fan Pattern Size
C1 Conventional	300 L/min (10.7 cfm)	3 Bar (45 psi)	150-250 ml/min	270 mm @ 200mm distance
C2 Conventional	290 L/min (10.3 cfm)	3 Bar (45 psi)	100-350 ml/min	250 mm @ 200mm distance
C3 Conventional	440 L/min (15.7 cfm)	3 Bar (45 psi)	250-600 ml/min	360 mm @ 200mm distance
TE10 Trans-Tech/High Efficiency	255 L/min (9.1 cfm)	2 Bar (30 psi)	150-200 ml/min	300 mm @ 200mm distance
TE20 Trans-Tech/High Efficiency	325 L/min (11.6 cfm)	2 Bar (30 psi)	150-200 ml/min	290 mm @ 200mm distance
TE30 Trans-Tech/High Efficiency	375 L/min (13.3 cfm)	2 Bar (30 psi)	200-300 ml/min	300 mm @ 200mm distance
TE40 Trans-Tech/High Efficiency	355 L/min (12.6 cfm)	2 Bar (30 psi)	250-400 ml/min	380 mm @ 200mm distance
TE50 Trans-Tech/High Efficiency	425 L/min (15.1 cfm)	2 Bar (30 psi)	250-400 ml/min	300 mm @ 200mm distance
HV30 HVLP	450 L/min (16.0 cfm)	1.10 Bar (26 psi)	160-200 ml/min	315 mm @ 200mm distance
HV40 HVLP	450 L/min (16.0 cfm)	1.75 Bar (16 psi)	160-200 ml/min	315 mm @ 200mm distance
C62 Conventional	431 L/min (15.4 cfm)	3 Bar (45 psi)	< 3.5 L/min	390 mm @ 300mm distance
C64 Conventional	400 L/min (14.3 cfm)	3 Bar (45 psi)	< 2.5 L/min	340 mm @ 300mm distance
C67 Conventional	426 L/min (15.2 cfm)	3 Bar (45 psi)	< 2.0 L/min	430 mm @ 300mm distance

Note: HV30 and HV40 (HVLP) operates at 0.7 bar (10 psi) at the cap. All illustrated flow rates may vary according to paint/material and pressures used.

For Further technical information refer to the DeVilbiss AG-361 and AG-362 Service Bulletins



SOLUTIONS FOR YOUR WORLD

www.carlisleleft.com

World Class Manufacturers of: | Process Controls | Curing & Conveying
Electrostatics | Fluid Handling | Powder Coating | Atomization

Carlisle Fluid Technologies US
16430 N. Scottsdale Road, Suite 450
Scottsdale, AZ 85254

Tel: 1-800-992-4657
Fax: 1-877-790-6965
Email: ghcustserv@carlisleleft.com



JGHV-531 Manual HVLP Spray Gun
JGA-HVLP Classic Series Spray Guns



JGHV™ Standard-Size Maximum Performer Manual HVLP Spray Gun

- A standard-size manual spray gun designed to maintain the comfortable fit and feel operators prefer.
- The Devilbiss Maximum Performer line can collectively handle more than 90% of the coatings being applied today.
- Improved transfer efficiency, less overspray and bounceback.
- The high transfer efficiency enhances productivity and finish quality. Because more paint is applied on each pass, fewer passes may be required by the operator.
- Maximum Performer HVLP spray guns also meet the legislated VOC requirements of the California South Coast Air Quality Management District.
- Our JGHV Standard-Size Maximum Performer manual spray gun gives you the best of everything.
- The comfortable fit and feel of Devilbiss' classic JGA spray gun.
- High transfer efficiency and superior atomization of HVLP.
- 300-grade stainless steel fluid passages for waterborne compatibility.

JGA-HVLP Classic Series Spray Guns Pressure Feed & Suction Feed

- 300-grade stainless steel fluid passages offer waterborne compatibility, corrosion resistance and protection from harsh self-etching primers.



JGHV™

Standard-Size Maximum Performer Manual HVLP Spray Gun

Ordering Information

The JGHV Standard-Size Maximum Performer manual spray gun is available with the following air cap and fluid tip set-ups, factory assembled for immediate delivery.

Order No.	Gun Inlet Pressure
JGHV-531-33FF	50 PSI
JGHV-531-33FX	50 PSI
JGHV-531-46FF	50 PSI
JGHV-531-46FX	50 PSI
JGHV-531-83D	65 PSI
JGHV-531-83E	65 PSI

Air Caps—Patterns & Applications

Air Cap #	Typical Pattern Size & Shape*	Typical Application
33A	9" long, tapered ends similar to #30 air cap	Most common finishing materials up to 12 oz./min.
46MP	11" long, straight-sided similar to #704 air cap	Low VOC material 12 to 16 oz./min.
83MP	13" long, straight-sided similar to #765 air cap	Low VOC material 17 oz./min. & above

*Actual pattern length dependent upon fluid tip ID, fluid flow rate, viscosity, air pressure and fan pressure.

Technical Specifications:

Body:	Drop forged aluminum
Weight:	20.8 oz (599 gr)
Air Inlet:	100 psi (7 bar) max., 1/4" NPS (M)
Fluid Inlet:	100 psi (7 bar) max., 3/8" NPS (M)
Fluid Passages:	Stainless steel
Feed Type:	Pressure Feed
(Material Supply)	
Service Bulletin:	SB-2-246
Gun Repair Kit:	KK-4987-2

Accessories

• Remote Cups

Two-quart remote cups are available in aluminum (KB-555) or stainless steel (KB-545-SS).

• Attached Cups*

One-quart attached cups are available in aluminum with **PTFE** lining (TLC-576) or stainless steel (TSC-591).

*Note: KK-4980 regulator control kit is required for use with these cups and must be ordered separately.

• Additional Accessories

Hose assemblies, air control regulators, air cap test kits, gun and hose cleaning equipment and other accessories also are available.

JGA-HVLP

Classic Series Spray Guns Pressure Feed & Suction Feed

Ordering Information

The Classic Series JGA-HVLP spray guns are available with the following air cap and fluid tip set-ups, factory-assembled for immediate delivery.

Pressure Feed Part No.	Suction Feed Part No.
JGA-510-98FX*	JGA-510-57DE* JGA-510-57D*

*Cup not included; order separately.

These guns with fluid tip and needle can be ordered separately without air cup and retaining ring: JGA-510-D (Suction Feed)
JGA-510-FX (Pressure Feed)

Air Caps—Patterns & Applications

Air Cap #	Pattern Size*	Typical Application*	Feed Type
57	10 – 11" (22 cfm)	Low Solids: Enamels, Lacquers, Stains, Sealers, Primers	Suction Feed D (.086) DE (.070)
98	11-1/2" (11 cfm)	Low Solids: Enamels, Lacquers, Stains, Sealers, Primers	Pressure Feed FX (.042)

*Spray pattern size dependent upon type of feed, material viscosity and air cap pressure.
• Up to 24 seconds, #4 Ford Cup.

Technical Specifications

	Pressure Feed	Suction Feed
Body:	Drop forged aluminum	Drop forged aluminum
Weight:	20.4 oz (578 gr)	21.4 oz (608 gr)
Air Inlet:	100 psi (7 bar) max., 1/4" NPS (M)	100 psi (7 bar) max., 1/4" NPS (M)
Fluid Inlet:	3/8" NPS (M)	3/8" NPS (M)
Fluid Passages:	300 grade stainless steel	300 grade stainless steel
Feed Type:	Pressure feed	Suction feed
(Material Supply)		
Air Cap:	98	57
Service Bulletin:	SB-2-187	SB-2-248
Gun Repair Kit:	KK-4987-2	KK-4987-2

JGA-HVLP Application Guide

- Maximum 8 oz./min. fluid flow.
- Lower solids coatings.
- Medium to high V.O.C. coatings (4.0-5.0 lbs./gal.)
- Smaller compressors – 3 h.p. is usually sufficient.
- Requires only 11 CFM at 10 PSI air cap pressure.
- Class "B" finish quality requirements.

Accessories

Pressure Feed

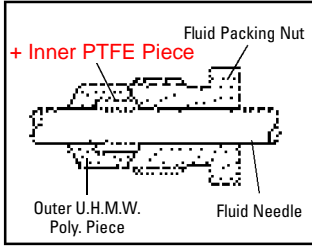
- Two-quart remote cups are available in aluminum (KB-555) or stainless steel (KB-545-SS).
- One-quart attached cups* are available in aluminum with **PTFE** lining (TLC-576) or stainless steel (TSC-591).
- * Note: KK-4980 regulator control kit is required for use with these cups and must be ordered separately.
- Hose assemblies, air control regulators, gun and hose cleaning equipment and other accessories also are available.
- 303-grade lapped tip and needle set JGA-4056-FX.

Suction Feed

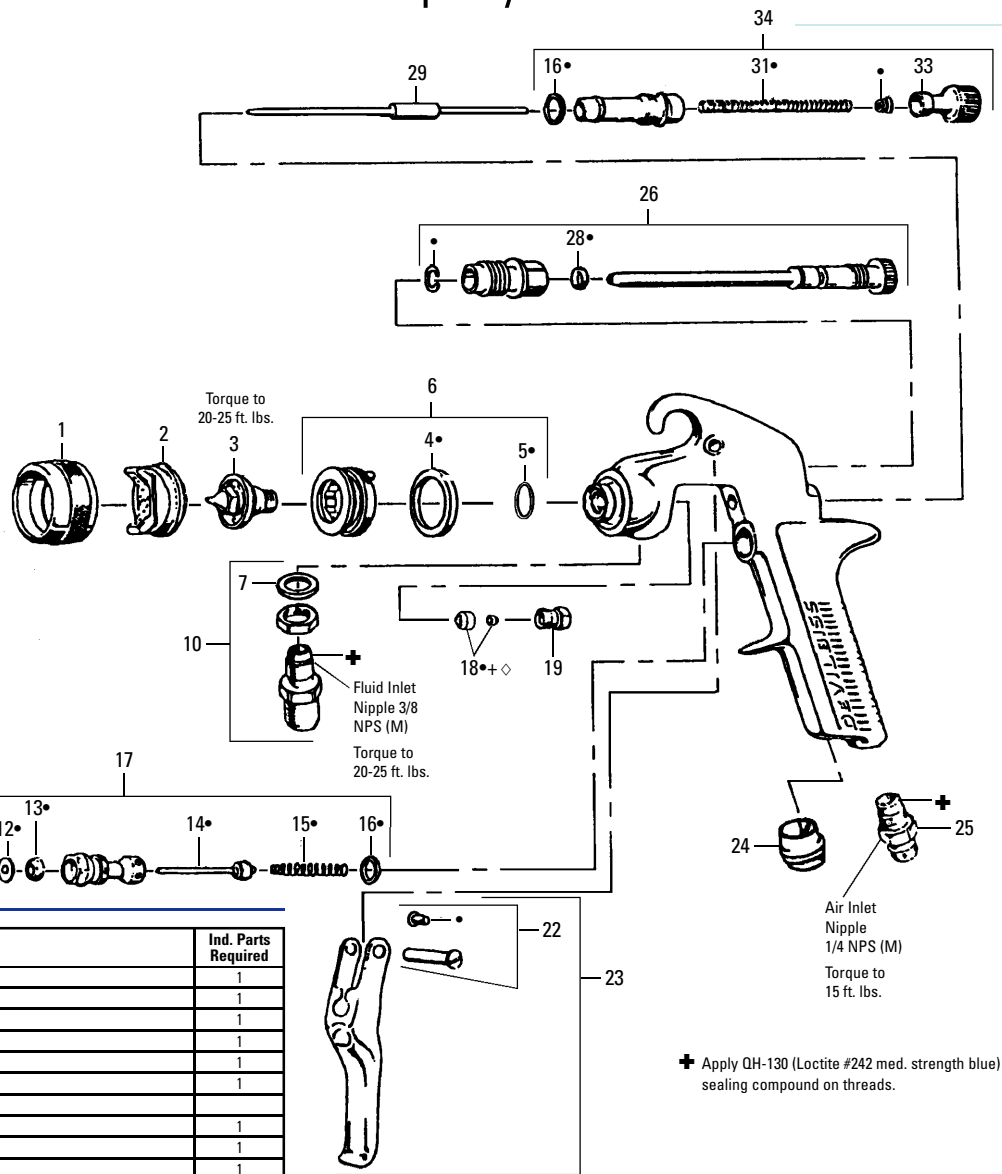
- One-quart paint cups available in **PTFE**-lined aluminum (TLC-555), aluminum (TGC-545) and stainless steel (TSC-595).
- One-pint aluminum cup (TGC-536) is also available.
- Hose assemblies, air control regulators, gun and hose cleaning equipment and other accessories also are available.

JGHV-531 Maximum Performer Spray Gun

JGV-463 Packing Assembly



◇ Detail Ref. No 18 – Two piece packing
+ Tapered edge faces out towards packing nut.



JGHV Parts List

Ref. No.	Model No.	Description	Ind. Parts Required
1	MBC-368	Retaining Ring	1
2	See Chart 2	Air Cap	1
3	See Chart 1	Fluid Tip	1
• 4	JGD-14-K10	Seal (Kit of 10) (Polyethylene)	1
• 5	SSG-8182-K5	O-Ring (Kit of 5) (Buna-N)	1
6	See Chart 2	Baffle, Seal and O-Ring Kit	1
7	MSV-3-K10	Gasket Kit (Kit of 10)	1
10	JGA-4044	Fluid Inlet and Nut Kit	1
• 11	JGA-14-K25	Snap Ring (Kit of 25)	1
• 12	JGA-15-K25	Washer (Kit of 25)	1
• 13	JGS-26-K25	"U" Cup (Kit of 25)	1
• 14	JGS-431-K25	Air Valve (Kit of 25)	1
• 15	MBD-12-K25	Spring (Kit of 25)	1
• 16	JGS-72-K10	Gasket (Kit of 10) (PTFE)	2
17	JGS-449-1	Air Valve Assembly	1
• 18	JGV-463-K3	Fld. Needle Packing (Kit of 3)	1
19	34411-122-K10	Needle Packing Nut (Kit of 10)	1
22	JGS-478	Stud & Screw Kit (Kit includes 3 studs, 5 screws)	1
23	JGS-477-1	Trigger, Stud and Screw Kit (Kit includes 1 each)	1
24	JGA-132	Plug	1
25	P-MB-51	Connector 1/4" NPS	1
26	JGA-497-1	Air Valve Assembly - Horn	1
• 28	SSG-8069-K25	O-Ring Kit (Kit of 25)	1
29	See Chart 1	Fluid Needle	1
• 31	MBD-19-K10	Spring (Kit of 10)	1
33	JGS-16	Needle Adjusting Screw	1
34	JGA-4041	Bushing, Spring & Knob Kit	1
35	See Chart 1	Lapped Fluid Tip and Needle (Not shown) (incl. Ref. Nos. 3 & 29)	1

• A quantity of necessary parts is included in Gun Repair Kit **KK-4987-2** and should be kept on hand for service convenience.

Chart 2 Air Cap & Baffle Combinations

No. Stamped on Parts				CFM @ Cap Pressure				
Air Cap Part No.	Baffle	Ref. No. 2 Air Cap	Ref. No. 6 Baffle	2 PSI	4 PSI	6 PSI	8 PSI	10 PSI
33A	33-50	JGHV-101-33A	JGHV-450-33-50	8.25	11.75	14.5	16.75	18.75
46MP	46-50	JGHV-101-46MP	JGHV-450-46-50	8.5	13.0	16.5	19.75	22.5
83MP	83-65	JGHV-101-83MP	JGHV-450-83-65	10.0	15.5	19.5	23.0	26.0

Chart 1 Fluid Tips (Nozzles) and Needles

STANDARD FLUID TIPS & NEEDLES - MATCHED SETS (400 GR. S.S. TIP/303 S.S. NEEDLE)		
If this is No. on Tip, Order →	Fluid Tip I.D. Inches (mm)	Matched Fluid Tip & Needle Assembly
AV-2115-FX	.042 (1.1)	JGA-4040-FX
AV-2115-FF	.055 (1.4)	JGA-4040-FF
AV-2120-FX*	.042 (1.1)	JGA-4045-FX*
AV-2120-FF*	.055 (1.4)	JGA-4045-FF*
AV-2120-E**	.070 (1.8)	JGA-4045-E**
AV-2120-D**	.086 (2.2)	JGA-4045-D**
OPTIONAL FLUID TIPS AND NEEDLES - MATCHED SETS (303 GR. S.S. AND U.H.M.W. POLY)		
AV-4915-FX	.042 (1.1)	JGA-4056-FX
AV-4915-FF	.055 (1.4)	JGA-4056-FF
AV-4920-FX*	.042 (1.1)	JGA-4051-FX*
AV-4920-FF*	.055 (1.4)	JGA-4051-FF*
AV-4920-E**	.070 (1.8)	JGA-4051-E**
AV-4920-D**	.086 (2.2)	JGA-4051-D**

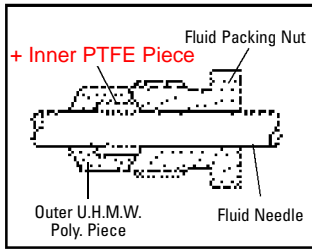
*For use with 46MP air cap.

**For use with 83MP air cap.

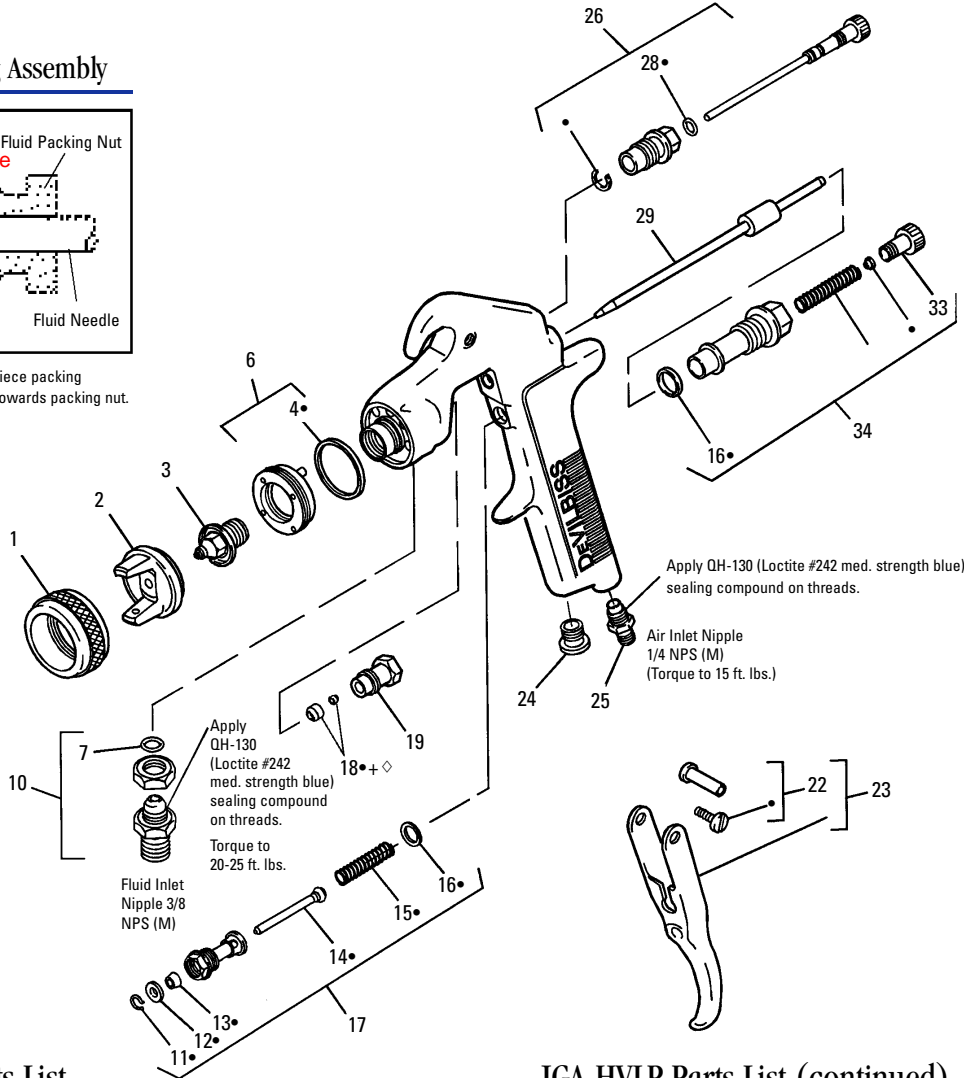
Note: Do not use AV-1 gasket with this spray gun.

JGA-HVLP Classic Series Spray Gun

JGV-463 Packing Assembly



◇ Detail Ref. No 18 – Two piece packing
+ Tapered edge faces out towards packing nut.



JGA-HVLP Parts List

Ref. No.	Model No.	Description	Ind. Parts Required
1	MBC-368	Retaining Ring	1
2	JGHV-101-98	Air Cap	1
#3	See Chart 1	Fluid Tip	1
•4	JGD-14-K10	Gasket Kit, Polyethylene (Kit of 10)	1
6	JGHV-457-98	Baffle and Gasket Kit	1
7	MSV-3-K10	Gasket, PTFE (Blue)(Kit of 10)	1
10	JGA-4044	Fluid Inlet and Nut Kit	1
•11	JGA-14-K25	Snap Ring Kit (Kit of 25)	1
•12	JGA-15-K25	Washer Kit (Kit of 25)	1
▲•13	JGS-26-K25	U-Cup Seal Kit (Kit of 25)	1
•14	JGS-431-K25	Air Valve Kit (Kit of 25)	1
•15	MBD-12-K25	Spring Kit (Kit of 25)	1
▲•16	JGS-72-K10	Gasket Kit, PTFE (Kit of 10)	2
17	JGS-449-1	Air Valve Assembly	1
▲•18	JGV-463-K3	Packing Kit (Kit of 3)	1
19	34411-122-K10	Packing Nut Kit (Kit of 10)	1
22	JGS-478	Stud and Screw Kit (Kit includes 3 studs and 5 screws)	1

Ref. Nos. 3 and 29 include an AV-1 Copper Gasket, which is **NOT** used with JGA-510.

• A quantity of necessary parts is included in Repair Kit **KK-4987-2** for complete gun repair and should be kept on hand for service convenience.

▲ For more limited repair, Soft Parts Kit **KK-5034** is also available (includes items 10, 13, 17, and 26).

JGA-HVLP Parts List (continued)

Ref. No.	Model No.	Description	Ind. Parts Required
23	JGS-477-1	Trigger, Stud and Screw Kit (Kit includes 1 each)	1
24	JGA-132	Plug	1
25	P-MB-51	Nipple	1
26	JGA-497-1	Fan Adjustment Assembly	1
▲•28	SSG-8069-K25	O-Ring, Viton (Kit of 25)	1
#29	See Chart 1	Fluid Needle	1
•31	MBD-19-K10	Spring Kit (Kit of 10)	1
33	JGS-16	Adjusting Screw	1

Chart 1 Fluid Tips (Nozzles) and Needles (Matched Set)

400 Gr. S.S. Tip / 303 S.S. Needle (Standard) JGA-4040-FX .042" (Tip Marked AV-2115-FX)	300 Gr. S.S. Matched Sets (Optional) with U.H.M.W. Poly. Insert JGA-4056-FX .042" (Tip Marked AV-4915-FX)
---	---

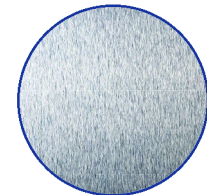
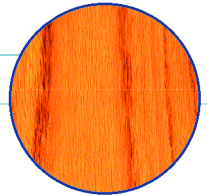
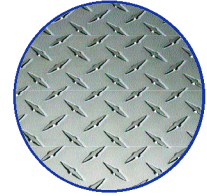
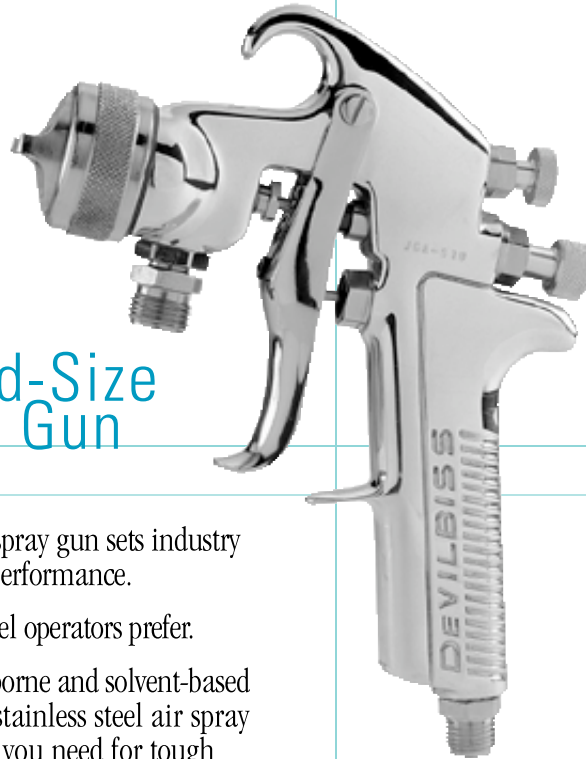
Customer Service 1.800.992.4657



ITW Industrial Finishing
Devilbiss
195 Internationale Blvd.
Glendale Heights, IL 60139
630-237-5000
Fax 630-237-5011
www.devilbiss.com



JGA Standard-Size Manual Spray Gun



- The JGA standard-size manual spray gun sets industry standards for high-production performance.
- Offers the comfortable fit and feel operators prefer.
- An economical option for waterborne and solvent-based material applications, the JGA stainless steel air spray gun delivers the quality results you need for tough applications.
- 300-grade stainless steel fluid passages offer waterborne compatibility, corrosion resistance and protection from harsh self-etching primers.

Ordering Informations.

The JGA standard-size spray gun is available with the following air cap and fluid tip set-ups, factory-assembled for immediate delivery. These are only the most popular set-ups.

These guns with fluid tip and needle can be ordered without air cap and retaining ring.

Part No.		Part No.	
JGA-510-30EX	JGA-510-765E	JGA-510-D	JGA-510-FF
JGA-510-64HDD	JGA-510-765FF	JGA-510-E	JGA-510-FW
JGA-510-704E	JGA-510-765FX	JGA-510-EX	JGA-510-FX
JGA-510-704FF	JGA-510-797FF		
JGA-510-704EX	JGA-510-80EX		
	JGA-510-797FX		

Technical Specifications:

Bdy: Drop forged aluminum
 Weight: 21.6 oz. (613 gr) with air cap and ring
 Air Inlet: 100 psi (7 bar) max, 1/4" NPS (M)
 Fluid Inlet: 150 psi (10 bar) max, 3/8" NPS (M)
 Fluid Passages: 300-grade stainless steel
 Feed Type: Pressure feed
 (Material Supply) Suction feed (EX)
 Service Bulletin: **SB-2-252**
 Gun Repair Kit: **KK-4987-2**

JGA Standard-Size Manual Spray Gun

Chart 1 Fluid Tip (Nozzle), Air Cap and Needle Combinations

Air Cap Sizes Order From Chart 2	Fluid Tip and Needle Size Order From Chart 3								
	AC	D	E	EE	EX	FF	FX	FW	GX
Tip Orifice in./mm	.110 2.8	.086 2.2	.070 1.8	.070 1.8	.070 1.8	.055 1.4	.042 1.1	.063 1.6	.034 .9
24			P			P	P		
30			P		S	S	S	S	
58					S	P	P		P
62HD	P								
64HD		P							
67HD				P					
69HD		P							
80					S	S	S	S	
704			P			P	P		
765			P			P	P		
777			P			P			
797			P			P			
9000					S	S		S	S

P = Pressure Feed Combination S = Suction Feed Combinations



Refer to
Service Bulletin:
SB-2-246

JGHV™ Standard-Size Maximum Performer Manual HVLP Spray Gun

- A standard-size manual spray gun designed to maintain the comfortable fit and feel operators prefer.
- The high transfer efficiency enhances productivity and finish quality. Because more paint is applied on each pass, fewer passes may be required by the operator.
- Maximum Performer HVLP spray guns also meet the legislated VOC requirements of the California South Coast Air Quality Management District.
- 300-grade stainless steel fluid passages for waterborne compatibility.

Ordering Information

The JGHV Standard-Size Maximum Performer manual spray gun is available with the following air cap and fluid tip set-ups, factory assembled for immediate delivery.

Order No.	Air Usage
JGHV-531-33FF	18.5 CFM
JGHV-531-33FX	18.5 CFM
JGHV-531-46FF	22.5 CFM
JGHV-531-46FX	22.5 CFM
JGHV-531-83D	26 CFM
JGHV-531-83E	26 CFM

Air Caps—Patterns & Applications

Air Cap #	Typical Pattern Size & Shape*	Typical Application
33A	9" long, tapered ends similar to #30 air cap	Most common finishing materials up to 12 oz./min.
46MP	11" long, straight-sided similar to #704 air cap	Low VOC material 12 to 16 oz./min.
83MP	13" long, straight-sided similar to #765 air cap	Low VOC material 17 oz./min. & above

*Actual pattern length dependent upon fluid tip ID, fluid flow rate, viscosity, air pressure and fan pressure.

DEVILBISS®

JGHV-531 Manual HVLP Spray Gun
JGA-HVLP Classic Series Spray Guns

JGA-HVLP Classic Series Spray Guns Pressure Feed & Suction Feed

- 300-grade stainless steel fluid passages offer waterborne compatibility, corrosion resistance and protection from harsh self-etching primers.



Refer to
Service Bulletins:
Pressure Feed SB-2-187
Siphon Feed SB-2-248

Application Guide

- Maximum 8 oz./min. fluid flow.
- Lower solids coatings.
- Medium to high V.O.C. coatings (4.0-5.0 lbs./gal.)
- Smaller compressors – 3 h.p. is usually sufficient.
- Requires only 11 CFM at 10 PSI air cap pressure.
- Class "B" finish quality requirements.

Ordering Information

Pressure Feed: JGA-510-98FX

Siphon Feed*: JGA-510-57DE or JGA-510-57D

*Cup not included; order separately

Air Caps—Patterns & Applications

Air Cap #	Pattern Size*	Typical Application•	Feed Type
57	10 – 11" (22 cfm)	Low Solids: Enamels, Lacquers, Stains, Sealers, Primers	Suction Feed D (.086) DE (.070)
98	11-1/2" (11 cfm)	Low Solids: Enamels, Lacquers, Stains, Sealers, Primers	Pressure Feed FX (.042)

*Spray pattern size dependent upon type of feed, material viscosity and air cap pressure.

• Up to 24 seconds, #4 Ford Cup.

DEVILBISS®

DeVilbiss
195 Internationale Blvd.
Glendale Heights, IL 60139
630-237-5000
Toll-Free Customer Service
and Support: 800-992-4657
www.DeVilbiss.com



SELECTION GUIDE

Coating And Finishing Equipment For The Wood Market



SOLUTIONS FOR YOUR WORLD

DOORS AND WINDOWS



Needs:

- Waterborne applications.
- Exotic wood substrate, pine or oak.
- Clear varnish or color-stained finishes.
- Manual, machine and robotic vertical spraying.
- Need to properly coat intricate profiles.
- Provide a guaranteed high quality finish for customers.

Solutions:

- Air Assisted Airless application fed by high pressure piston pumps.
- High-pressure color change system for the application of multiple pigmented glazes.
- Manual or automatic coating supply feed.

Benefits:

An application system which minimizes overspray while ensuring high transfer efficiency giving a quality finish compliant with the customer's specifications.

FURNITURE AND FITTED UNITS

Needs:

- Volume solutions, carefully applying coatings onto flat surfaces, casings and profiles.
- Exotic wood substrates, pine, MDF, hardwood etc.
- Varnish, paint or lacquer, building up to a high gloss finish.
- Manual or automatic spraying on MDF panels in high volume production runs.
- Need to apply several successive layers with interlayer engravings.

Solutions:

- HVLP, LVMP, and Conventional Air Spray Technologies or Air Assisted Airless fed by diaphragm or piston pumps.
- Quick color change system.
- Application of viscous, solvent/waterborne and UV materials.
- Manual or automatic gun feed.
- Plural component electronic mixing systems.

Benefits:

A multi-purpose application system, minimizing overspray while ensuring high transfer efficiency giving a quality finish. Reduction of operating costs through possible plural component electronic mixing systems.



KITCHENS, BATHROOMS AND MDF PANEL LACQUERS



Needs:

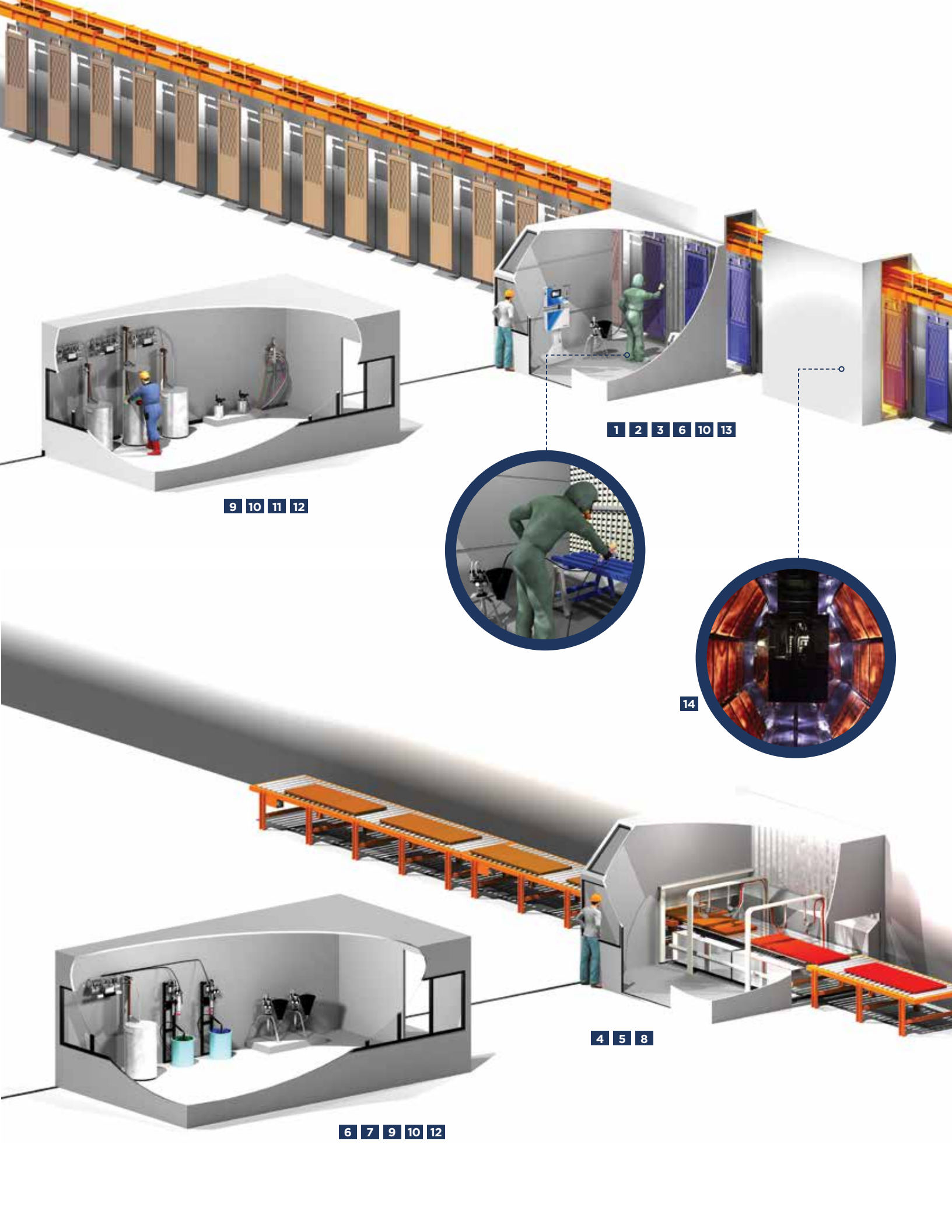
- Careful application onto flat panel work-pieces & profiles.
- MDF substrate, solid wood and lacquered panels.
- Matt, satin or high gloss finishes.
- Manual or automatic spraying on MDF panels in high volume production runs.
- Need to apply multiple layers with interlayer engraving.
- Sprays equally well on edges, moulding and larger flat surfaces.

Solutions:

- HVLP, LVMP, and Conventional spray technologies or Air Assisted Airless application, fed by diaphragm or piston pumps.
- Quick color change systems.
- Application of viscous, solvent/water based and UV materials.
- Manual or automatic gun feed.
- Plural component electronic mixing systems, or upgrading to a paint circulating system.

Benefits:

An all-inclusive application system, minimizing overspray while ensuring high transfer efficiency giving a high quality finish. Reduction of operating costs through Plural component mixing system or industrial paint-circulation system.



9 10 11 12

1 2 3 6 10 13

14

4 5 8

6 7 9 10 12

PRODUCTS FOR WOOD INDUSTRY APPLICATIONS

ATOMIZATION

1



DeVilbiss TEKNA Pro Lite Manual Spray Gun

- Fine-finish spray gun.
- Ergonomic shape reduces operator fatigue.

2



DeVilbiss Trophy Series Spray Guns

- Multipurpose spray gun for high quality coating application.
- Ergonomic design.
- Light-weight.

- Stainless steel fluid passageways.
- Wide range of air cap and fluid tip sizes available.

3



Trophy AA Air Assist-Airless Spray Gun

- Fan pattern adjustable on gun.
- HVLP and LVMP air caps available.
- Lightweight, operator friendly design with lite-pull trigger.

- Compatible with solvent and waterborne coatings.
- Standard flat tip and twist-tip self-cleaning reversible nozzle available with a wide range of tips.

4



DeVilbiss AG-360 Series Automatic Spray Gun

- Multiple manifold types available: AG-362L lever

operated version for fastest removal and AG-362S screw version.

- Air caps available in HVLP, Trans-Tech (High Efficiency) and Conventional technologies.
- Independent fan, atomising and triggering air on the mounting block.
- Indexing air cap for consistent reproduction of spray pattern.
- High precision with micrometrics set up.
- "Quick Clean™" coated gun body for easy cleaning.
- Ideal gun for robotic and machine applications.

5



DeVilbiss AG-363 High Pressure

- Unique single screw attachment to manifold allows quick easy removal for maintenance and cleaning from automatic spray gun.

- HVLP and LVMP air cap technology produces excellent atomisation with superior finish and transfer efficiency.
- Manual adjust air controls for easy spray fan adjustment and width control.
- Stainless steel gun head and fluid passageways for Waterborne and Solventborne coating compatibility.
- Tungsten carbide needle and seat for enhanced abrasion resistance and long working life.

FLUID HANDLING

6



Binks DX70 Diaphragm Pump

- 1:1 ratio pump.
- Acetal pump body with stainless-steel balls and soft seats for universal paint compatibility.

- Constant, low pulse fluid flow thanks to built-in regulator option.
- Available as bare-pump, tripod, cart and wall-mounted outfits.
- 1 Gal fluid output @ 60 cycles/min.

7



Binks MXL 4/32 & 12/31 Pumps

- Patented air valve technology gives minimal pulsation.
- Long lasting ceramic coated piston rods.
- Stainless steel fluid passages and tungsten carbide valve seats.

- Bare-pump, tripod, cart or wall mounted pump packages available.
- Binks 5 year materials and manufacturing warranty.

8



Binks MX 35/11 Pump

- Patented anti-stall magnetic detents with quick exhaust valves for fast stroke change-over with minimal pulse.
- Stainless steel wetted parts with ceramic-coated piston rod for extended working life cycle.
- Quiet operation, lubricant free, no ice air motor.

- Self adjusting spring loaded packing's with large lubricant cup for reduced maintenance down time.
- Quick fluid section disconnect from air motor for easier servicing.
- Binks 5 year materials and manufacturing warranty.

9



Binks Maple Pumps

- Multiple ratio pumps available from 3:1 to 25:1.
- Low shear patented technology for stable product flow.

- Control valve metal spool and sleeve for long life.
- Patented magnetic detent to eliminate stall conditions.
- Low ice - lubricant free air motor with patented quick exhaust technology removes the risk of valve icing.

10



Binks Pressure Tanks

- Wide range of available capacities and configurations.
- Made of thick steel with forged steel locking systems.
- Available in stainless steel, and galvanized ASME tanks.

FLUID HANDLING

11



Ransburg CCV (Colour Change Valve)

- Durable stainless steel construction.
- Modular design to form valve assemblies depending on

number of colours (up to 30).

- Compatible with a wide variety of coatings.
- Wide range of mounting blocks and adapters for all installation types.

12



Binks Agitators

- Geared or direct drive versions available.
- Electric or Pneumatic drive options.
- Rotary or reciprocating action.

13



GEMS

- Accurate proportioning from 1.00:1 - 100.00:1.
- 7" Color Industrial Touch Screen.
- Data exports in .csv and log formats.
- Pressures up to 1000 psi
- Compatible with acid catalysts.

CURING AND CONVEYING

14



BGK Curing Solutions

- Proven curing technologies include gas convection, gas catalytic, and electric infrared.
- Integrated and customizable solutions provide optimum performance.

Our brands of DeVilbiss, Ransburg, MS, BGK & Binks, have a reputation for excellence built on innovative solutions that provide efficiency, productivity and cost improvements for our customers. Many of our successes begin on-site in our customers' facilities, where their needs are most apparent.

Thanks to the expertise of our, sales force and back office teams, Carlisle Fluid Technologies is able to provide practical and time-sensitive solutions to the most complex coating and fluid handling problems.

Our highly-trained workforce intimately understands the manufacturing challenges facing customers and can develop original and advanced solutions from the ground up.

Manufacturing, research and development worldwide

Carlisle Fluid Technologies is a global company with facilities located. We work in partnership with a long established team of distributors.

We manufacture and supply all types of spray finishing equipment and accessories.

Incorporating the world leading brands of DeVilbiss, Ransburg, MS, BGK and Binks we produce advanced spray finishing equipment for the supply and application of all sprayed materials for all major manufacturing industries and markets.

For further information, visit our website at

www.CarlisleFT.com

DEVILBISS®

DEVILBISS manufactures low pressure manual and automatic spray guns and related spraying.

Ransburg®

RANSBURG is the acknowledged global leader in the design and manufacture of low and high pressure electrostatic finishing products, including manual and automatic guns disc/bell rotary atomizers and plural component systems.

ms®

MS is a leading manufacturer and installer of powder coating and booth systems with solutions ranging from mobile manual applicators to full production system installations.

BGK®

BGK manufactures a range of curing and conveying systems. BGK offers a range of curing systems including Infrared and gas catalytic options.

BINKS®

BINKS manufactures a range of low and high-pressure products including, Airless and Air Assisted Airless manual and automatic spray guns, high and low pressure pumps and regulators, pressure feed tanks, plural component electronic mixing systems and paint circulating system products.

Carlisle Fluid Technologies' network of fully approved distributors offer the highest standards of sales and service for DeVilbiss, Ransburg, MS, BGK and Binks products.

INNOVATION IN MIND

OPERATOR TRAINING SUPPORT

We conduct regular operator training courses throughout the year in our fully equipped industrial training centers.

The “modular” training courses cover all aspects and technologies used in the field of Industrial Spray Finishing. Delegates are given valuable hands-on and theoretical experience utilising our advanced range of DeVilbiss, Ransburg and Binks spray finishing products.

SEEING IS BELIEVING

The DeVilbiss, Ransburg, BGK, MS and Binks Program that helps you convert prospects to customers

DeVilbiss, Ransburg, BGK, MS and Binks offer the widest choice of finishing equipment in the industry today through you, our valued distributor.

DeVilbiss, Ransburg, BGK, MS and Binks firmly believe that if your customer needs reassurance that our equipment is the right choice for them they are a candidate for our “Seeing is Believing” Onsite Equipment Trial program, available only through you, an authorized distributor.

The program is simple. The equipment will be installed on the customer’s production line for up to 30 days, no questions asked.

A WIN-WIN situation:

Your customer likes the equipment on trial – you’ve just made a significant sale and profit.

Your customer finds the equipment does not produce the desired results – you’ve proven that you are willing to go “above and beyond” to make sure you meet your customer’s needs.

This 30-day onsite trial is just one more way DeVilbiss, Ransburg, BGK, MS and Binks help you convert a prospect to a loyal customer of the best recognized brands of spray finishing equipment in the industry.

Don’t wait. Start today

SEEING 
IS TRY IT. LIKE IT BUY IT.
BELIEVING
ONSITE EQUIPMENT TRIALS



SOLUTIONS FOR YOUR WORLD

www.carlisleft.com

World Class Manufacturers of: | Process Controls | Curing & Conveying
Electrostatics | Fluid Handling | Powder Coating | Atomization

Carlisle Fluid Technologies US
16430 N. Scottsdale Road, Suite 450
Scottsdale, AZ 85254

Tel: 1-800-992-4657
Fax: 877-790-6965
Email: ghcustserv@carlisleft.com