

CLIP, BRACKETS AND SUPPORT

Profile channel arms



PARTNUMBER	DESCRIPTION	LOT SIZE
2810 0132 00	Cantilever arm 540mm	01
2810 0032 05	Cantilever arm 300mm	05
2810 0031 05	Wall bracket C-profile	05
2810 0030 05	Channel 2m C-profile	05
2810 0034 10	Protection cap	10
2810 0333 10	T-bolt L=80 M8	10
2810 0233 10	T-bolt L=60 M8	10
2810 0133 10	T-bolt L=40 M8	10
2810 0033 10	T-bolt L=30 M8	10
2810 1033 10	Sliding nut M6	10

CLIP, BRACKETS AND SUPPORT

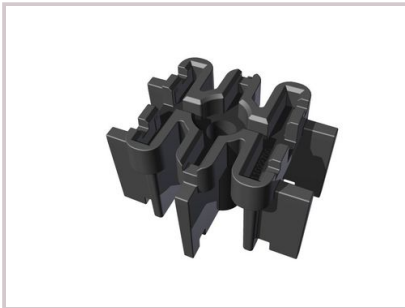
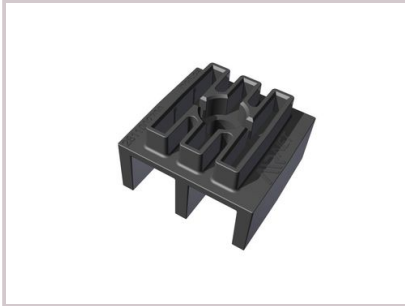
Pipe Clip PF Series (Metric)



PARTNUMBER	AIRNET Ø (MM / INCH)	THREAD TYPE	LOT SIZE
2811 1022 20	20 / ¾"	M6	20
2811 2022 20	25 / 1"	M6	20
2811 4022 20	40 / 1½"	M6	20
2811 5022 20	50 / 2"	M6	20
2811 6022 20	63 / 2½"	M8	20
2811 7022 20	80 / 3"	M8	20
2810 8022 10	100 / 4"	M10	10
2810 9022 10	158 / 6"	M8 / M10	10

CLIP, BRACKETS AND SUPPORT

Pipe Clip Spacer PF Series



PARTNUMBER	AIRNET Ø (MM / INCH)	LOT SIZE
2811 0027 10	25 / 1"	10
2811 0127 10	50 / 2"	10
2811 0227 10	80 / 3"	10
2810 0327 10	100 / 4"	10
2810 0227 10	100 / 4"	10

CLIP, BRACKETS AND SUPPORT

Pipe Clip PF Series (Imperial)



PARTNUMBER	AIRNET Ø (MM / INCH)	THREAD TYPE	LOT SIZE
2811 1122 20	20 / ¾"	1/4 UNC	20
2811 2122 20	25 / 1"	1/4 UNC	20
2811 4122 20	40 / 1½"	1/4 UNC	20
2811 5122 20	50 / 2"	1/4 UNC	20
2811 6122 20	63 / 2½"	5/16 UNC	20
2811 7122 20	80 / 3"	5/16 UNC	20
2810 9122 10	158 / 6"	M10 → 3/8 UNC	10

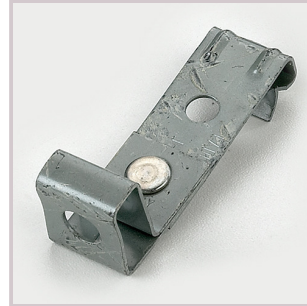
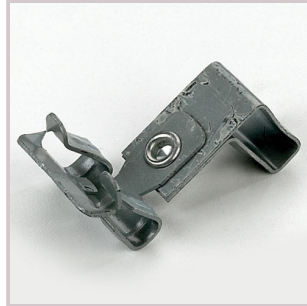
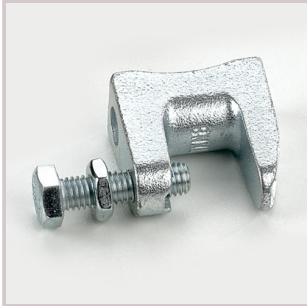
CLIP, BRACKETS AND SUPPORT

Pipe Clip Adaptor Bolts

PARTNUMBER	DESCRIPTION	LOT SIZE
2811 0272 00	5/16 UNC - 3/8 UNC	1
2811 0372 00	M10 - 3/8 UNC	1
2811 0072 00	M6 - M8	1
2811 0172 00	1/4 UNC - 3/8 UNC	1

OTHER HANGING SOLUTIONS

Hanging to a beam - I or H profile



PARTNUMBER	DESCRIPTION	THREAD TYPE	BEAM THICKNESS	LOT SIZE
2810 0035 10	Push-in beam clamp for I profile	M8	2-3mm	10
2810 0135 10	Push-in beam clamp for I profile	M8	3-8mm	10
2810 0235 10	Push-in beam clamp for I profile	M8	8-14mm	10
2810 0335 10	Push-in beam clamp for I profile	M8	14-20mm	10
2810 0036 10	Screw beam clamp	M8	1.5-11mm	10
2810 0038 10	Hang clamp for H profile	M8	1.5-4mm	10
2810 0138 10	Hang clamp for H profile	M8	4-6.5mm	10
2810 1035 10	Push-in beam clamp for I profile	M6	2-3mm	10
2810 1135 10	Push-in beam clamp for I profile	M6	3-8mm	10
2810 1235 10	Push-in beam clamp for I profile	M6	8-14mm	10
2810 1335 10	Push-in beam clamp for I profile	M6	14-20mm	10
2810 1036 10	Screw beam clamp	M6	1.5-11mm	10
2810 1038 10	Hang clamp for H profile	M6	1.5-4mm	10
2810 1138 10	Hang clamp for H profile	M6	4-6.5mm	10

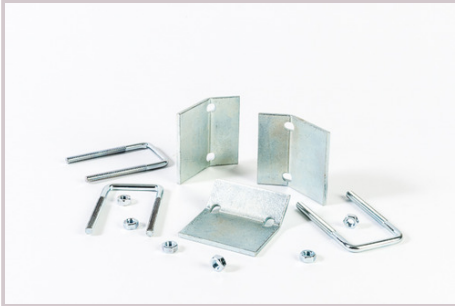
OTHER HANGING SOLUTIONS

Canalis hanger

PARTNUMBER	LOT SIZE
2810 0250 05	05

OTHER HANGING SOLUTIONS

U-bolt beam clamp



PARTNUMBER	LOT SIZE
2810 0037 10	10

OTHER HANGING SOLUTIONS

Roof clamp



PARTNUMBER	LOT SIZE
2810 1039 10	10
2810 0039 10	10

SPARE PARTS

Inner Parts

PARTNUMBER	AIRNET Ø (MM / INCH)	LOT SIZE
2810 6060 05	63 / 2½"	05
2810 7060 05	80 / 3"	05

SPARE PARTS

O-ring

PARTNUMBER	AIRNET Ø (MM / INCH)	LOT SIZE
2811 2065 10	25 / 1"	10
2811 4065 10	40 / 1½"	10
2810 6065 10	63 / 2½"	10
2811 6065 10	63 / 2½"	10
2810 7065 10	80 / 3"	10
2810 8065 05	100 / 4"	05
2810 8165 05	100 / 4"	05

SPARE PARTS

Nuts and Bolts

PARTNUMBER	DESCRIPTION	LOT SIZE
2810 8060 10	Bolts & clips for Ø100 mm (4") equal socket	10

ADAPTOR UNION

Adaptor Union (NPT)

PARTNUMBER	AIRNET Ø (MM / INCH)	OUTLET Ø (MM / INCH)	LOT SIZE
2811 1114 80	20 / ¾"	20 / ¾"	01
2811 2214 80	25 / 1"	25 / 1"	01
2811 4414 80	40 / 1½"	40 / 1½"	01
2811 5514 80	50 / 2"	50 / 2"	01
2810 6614 00	63 / 2½"	63 / 2½"	01
2810 7714 00	80 / 3"	80 / 3"	01

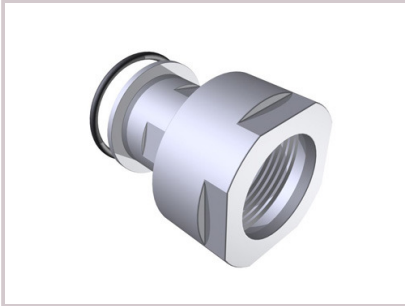
ADAPTOR UNION Adaptor Union (ISO 228)



PARTNUMBER	AIRNET Ø (MM / INCH)	OUTLET Ø (MM / INCH)	LOT SIZE
2811 1113 80	20 / ¾"	20 / ¾"	01
2811 2213 80	25 / 1"	25 / 1"	01
2811 4413 80	40 / 1½"	40 / 1½"	01
2811 5513 80	50 / 2"	50 / 2"	01
2810 6613 00	63 / 2½"	63 / 2½"	01
2810 7713 00	80 / 3"	80 / 3"	01

ADAPTOR UNION

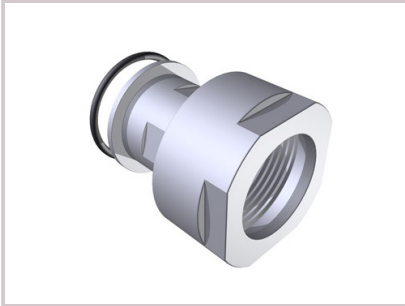
Adaptor Union Kit PF Series (ISO 228)



PARTNUMBER	AIRNET Ø (MM / INCH)	THREAD OUTLET Ø (MM / INCH)	LOT SIZE
2811 0019 80	20 / ¾"	10 / "	01
2811 1019 80	20 / ¾"	12.5 / ½"	01
2811 2019 80	25 / 1"	12.5 / ½"	01
2811 2119 80	25 / 1"	20 / ¾"	01
2811 4219 80	40 / 1½"	25 / 1"	01
2811 5419 80	50 / 2"	40 / 1½"	01
2811 5519 80	50 / 2"	50 / 2"	01

ADAPTOR UNION

Adaptor Union Kit PF Series (NPT)



PARTNUMBER	AIRNET Ø (MM / INCH)	THREAD OUTLET Ø (MM / INCH)	LOT SIZE
2811 0020 80	20 / ¾"	10 / 0.39"	01
2811 1020 80	20 / ¾"	12.5 / ½"	01
2811 2020 80	25 / 1"	12.5 / ½"	01
2811 2120 80	25 / 1"	20 / ¾"	01
2811 4220 80	40 / 1½"	25 / 1"	01
2811 5420 80	50 / 2"	40 / 1½"	01
2811 5520 80	50 / 2"	50 / 2"	01

CONNECTION PARTS

Hexagon Nipples (ISO 7-R)

PARTNUMBER	THREAD Ø (MM / INCH)	LOT SIZE
2811 0076 00	12.5 / ½"	01
2811 1176 00	20 / ¾"	01
2811 2276 00	25 / 1"	01
2811 4476 00	40 / 1½"	01
2811 5576 00	50 / 2"	01

CONNECTION PARTS

Hexagon Nipples (NPT)

PARTNUMBER	THREAD Ø (MM / INCH)	LOT SIZE
2811 0077 00	12.5 / ½"	01
2811 1177 00	20 / ¾"	01
2811 2277 00	25 / 1"	01
2811 4477 00	40 / 1½"	01
2811 5577 00	50 / 2"	01

CONNECTION PARTS

Sockets (ISO 228)

PARTNUMBER	THREAD Ø (MM / INCH)	LOT SIZE
2811 0078 00	12.5 / ½"	01
2811 1178 00	20 / ¾"	01
2811 2278 00	25 / 1"	01
2811 3378 00	32 / 1¼"	01
2811 4478 00	40 / 1½"	01
2811 5578 00	50 / 2"	01

CONNECTION PARTS

Sockets (NPT)

PARTNUMBER	THREAD Ø (MM / INCH)	LOT SIZE
2811 0079 00	12.5 / ½"	01
2811 1179 00	20 / ¾"	01
2811 2279 00	25 / 1"	01
2811 3379 00	32 / 1¼"	01
2811 4479 00	40 / 1½"	01
2811 5579 00	50 / 2"	01

CONDUCTIVITY STRIP KITS

Conductivity strip kits

PARTNUMBER	AIRNET Ø (MM / INCH)	TYPE	LOT SIZE
2811 1003 90	20 / ¾"	90°	05
2811 1004 90	20 / ¾"	45°	05
2811 1002 90	20 / ¾"	Equal Socket	05
2811 1005 90	20 / ¾"	Tee	05
2811 2005 90	25 / 1"	Tee	05
2811 2004 90	25 / 1"	45°	05
2811 2003 90	25 / 1"	90°	05
2811 4005 90	40 / 1½"	Tee	05
2811 4003 90	40 / 1½"	90°	05
2811 4002 90	40 / 1½"	Equal Socket	05
2811 4004 90	40 / 1½"	45°	05
2811 5003 90	50 / 2"	90°	05
2811 5004 90	50 / 2"	45°	05
2811 5005 90	50 / 2"	Tee	05
2811 5002 90	50 / 2"	Equal Socket	05

CONDUCTIVITY STRIP KITS

Conductivity strip kit for all AIRnet diameters

PARTNUMBER	DESCRIPTION	LOT SIZE
2810 0191 00	Strip earthing clip	01

TOOLS

Airnet Spanner



PARTNUMBER	AIRNET Ø (MM / INCH)
2810 8028 00	40 / 1½"
2810 6028 00	63 / 2½"
2810 7028 00	80 / 4"

TOOLS

Complete Toolbox



PARTNUMBER	DESCRIPTION
2810 0345 00	Complete ToolBOX to assemble Ø20 - 50 mm (¾" - 2") pipes and quick drops.

TOOLS

Aluminium Pipe Deburrer



PARTNUMBER	DESCRIPTION	LOT SIZE
2810 0741 00	Exact 60-125 mm	01
2810 0141 00	Only heavy duty model to cover the diameters up to 50mm (2")	01
2810 0041 00	6-37 mm	01
2810 0241 00	63 mm	01
2810 0641 00	50-150 mm pen	01

TOOLS

L Key



PARTNUMBER	DESCRIPTION	LOT SIZE
2810 0049 00	Hexagon L key 6mm	01
2810 0149 00	Hexagon L key 5mm	01

TOOLS

Aluminium Pipe Cutter



PARTNUMBER	DESCRIPTION	LOT SIZE
2810 0040 00	6-66 mm	01
2810 0540 80	220V Exact + addendum	01
2810 0140 00	48-116 mm	01
2810 0240 00	100-170 mm	01
2810 0640 80	110V Exact + addendum	01

TOOLS

Hole Deburrer



PARTNUMBER	LOT SIZE
2810 0042 00	01

TOOLS

Drill Bit



PARTNUMBER	DESCRIPTION
2810 0043 00	Size 19 mm. For AIRnet classic quickdrops with drop line Ø 25mm (1") and threaded drop line Ø 20mm (¾")
2810 0143 00	Size 14 mm. For AIRnet PF quickdrops Ø25mm (1"). For AIRnet classic quickdrops with drop line Ø20mm (¾") and threaded drop line Ø12,5 mm (½")
2810 0243 00	Size 24 mm. For AIRnet PF quickdrops Ø 40 mm (1½") - 80mm (3").

TOOLS**Drill Bit Holder**

PARTNUMBER	DESCRIPTION
2810 0044 00	For Ø 25mm/1" - 80mm/3"

TOOLS

Spare Cutter Blade



PARTNUMBER	DESCRIPTION	LOT SIZE
2810 0340 00	For pipe cutter	01
2810 0440 00	Diameter 100 mm / 4"	01
2810 0740 00	For exact pipe cutter	01

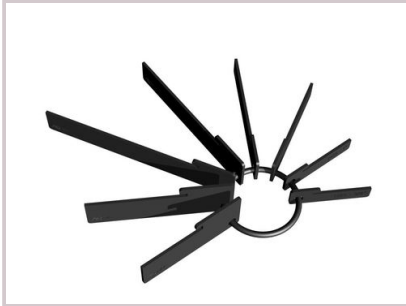
TOOLS
Slide Fluid



PARTNUMBER	LOT SIZE	DESCRIPTION
2810 0148 00	01	Water base lubricator

TOOLS

Pipe Marker PF Series



PARTNUMBER	DESCRIPTION	LOT SIZE
2811 0029 80	All diameters	01

TOOLS**Torque Wrench**

PARTNUMBER	DESCRIPTION	LOT SIZE
0462 1011 05	Torque head	01
0462 7094 21	Torque wrench	01

TOOLS

AIRnet Spanner PF Series



PARTNUMBER	AIRNET Ø (MM / INCH)	LOT SIZE
2811 1028 00	20 / ¾"	01
2811 2028 00	25 / 1"	01
2811 4028 00	40 / 1½"	01
2811 5028 00	50 / 2"	01