

Electric Operated Condensate Drain

Posi-Drain



The chopping, guillotine action of the Posi Valve creates a non clogging, straight-through flow.

Removes condensate, (oil and water) from compressed air systems.

Features

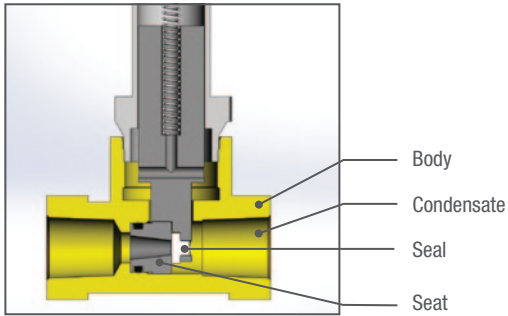
- Straight-through flow pattern
- Robust seat and seal design
- Dual-adjustable solid-state external timer
- Pilot lights for Power (red) and Valve Open (green)
- NEMA 4X enclosure
- Multi-valve capabilities
- Self-cleaning action
- Mounting tabs for wall or panel mount
- Versatile for many applications

Benefits

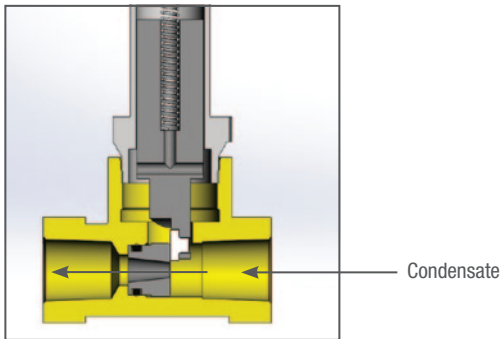
- Prevents clogging
- Provides extended service on the most demanding applications
- Easy adjustment of both drain frequency and length of drain cycle
- Indicate drain status at a glance
- Rugged and non-corrosive
- PD7000 operates one to four valves at once
- Makes valve dependable in adverse conditions
- Flexible positioning
- Can be used for filters, air receivers, air dryers, separators and aftercoolers

Posi Valve

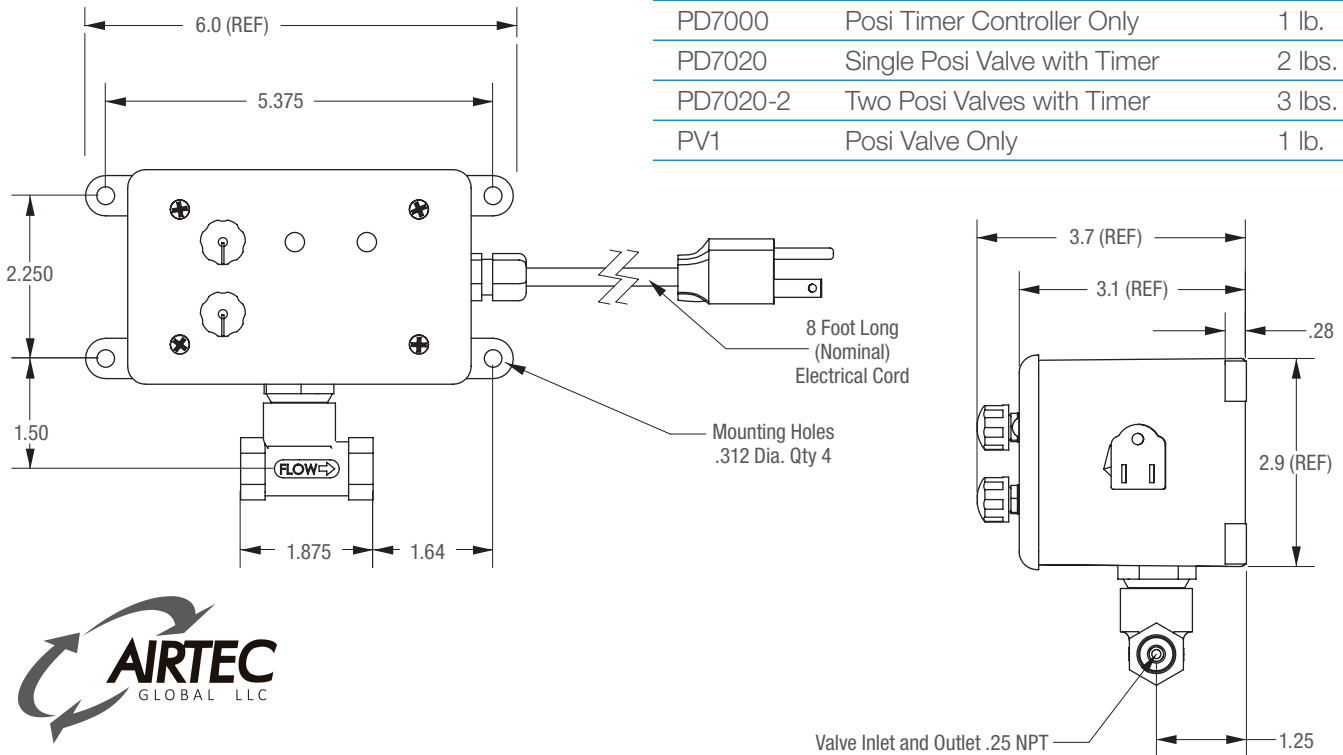
Closed Position



Open Position



Dimensions



AIRTEC GLOBAL LLC
 1100 NW Loop 410 Ste. 764
 San Antonio, TX 78213
 Phone: (210) 366-8805
 Email: support@airtec.global
 http://airtec.global

How It Works

The Posi-Drain is a premium timer drain based on the remarkable, chopping, guillotine action of the Posi Valve. This robust valve creates a non clogging, straight-through flow.

The timer initiates a drain cycle by energizing a magnet coil that slides up the seal assembly and creates a straight through flow path for condensate. When the timer times-out, the coil is de-energized and the seal assembly is spring-returned to the closed position. The opening and closing action also serves to wipe contaminants from the sealing surfaces to ensure a positive seal and no air.

Specifications

Inlet/Outlet: 1/4" NPT

Drain Cycle Frequency: 5 secs. – 50 mins.

Drain Cycle Time: 1 – 15 secs.

Pressure: 200 PSI

Grounded Cord: 8 ft.

Power: 110 V, 60 Hz., 1 Ph. with options for others

NEMA 4X Enclosure: 6" X 3" x 3"

Material: Body-Bronze, Seat-Stainless Steel, Seal-"Delrin"

Ordering Information

Stock No.	Description	Weight
PD7000	Posi Timer Controller Only	1 lb.
PD7020	Single Posi Valve with Timer	2 lbs.
PD7020-2	Two Posi Valves with Timer	3 lbs.
PV1	Posi Valve Only	1 lb.