

Instruction and operation manual

Pressure sensor



Dear Customer,

Thank you for choosing our product.

The operating instructions must be read in full and carefully observed before you start up the device. The manufacturer cannot be held liable for any damage which occurs as a result of non-observance or non-compliance with this manual.

Should the device be tampered with in any manner other than a procedure which is described and specified in the manual, the warranty is cancelled and the manufacturer is exempt from liability.

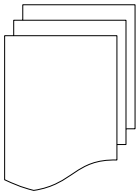
The device is destined exclusively for the described application.

SUTO offers no guarantee for the suitability for any other purpose. SUTO is also not liable for consequential damage resulting from the delivery, capability or use of this device.

Table of contents

1 Safety instructions.....	4
2 Registered trademarks.....	6
3 Application.....	7
4 Features.....	7
5 Technical data.....	8
5.2 General.....	8
5.3 Electrical data.....	8
5.4 Output signals.....	8
5.5 Accuracy	9
6 Dimensional drawing.....	9
7 Installation	10
7.2 Installation Requirements.....	10
7.3 Installation Procedure.....	10
7.4 Electrical connection.....	11
8 Signal outputs.....	12
9 Calibration.....	12
10 Maintenance.....	12
11 Disposal or waste.....	12

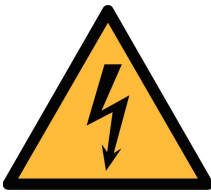
1 Safety instructions



Please check if this instruction manual accords to the product type.

Please observe all notes and instructions indicated in this manual. It contains essential information which have to be observed before and during installation, operation and maintenance. Therefore this instruction manual has to be read carefully by the technician as well as by the responsible user / qualified personnel.

This instruction manual must be available at the operation site of the pressure sensor at any time. In case of any obscurities or questions, regarding this manual or the product, please contact the manufacturer.



WARNING!

Compressed air!

Any contact with quickly escaping air or bursting parts of the compressed air system can lead to serious injuries or even death!

- Do not exceed the maximum permitted pressure range.
- Only use pressure tight installation material.
- Avoid that persons get hit escaping air or bursting parts of the instrument.
- The system must be pressureless during maintenance work.



WARNING!

Voltage used for supply!

Any contact with energized parts of the product, may lead to a electrical shock which can lead to serious injuries or even death!

- Consider all regulations for electrical installations.
- The system must be disconnected from any power supply during maintenance work.
- Any electrical work on the system is only allowed by authorized qualified personal.



ATTENTION!

Permitted operating parameters!

Observe the permitted operating parameters, any operation exceeding this parameters can lead to malfunctions and may lead to damage on the instrument or the system.

- Do not exceed the permitted operating parameters.
- Make sure the product is operated in its permitted limitations.
- Do not exceed or undercut the permitted storage and operation temperature and pressure.
- The product should be maintained and calibrated frequently, at least annually.

General safety instructions

- It is not allowed to use the product in explosive areas.
- Please observe the national regulations before/during installation and operation.

Remarks

- It is not allowed to disassemble the product.
- Always use spanner to mount the product properly.



ATTENTION!

Measurement values can be affected by malfunction!

The product must be installed properly and frequently maintained, otherwise it may lead to wrong measurement values, which can lead to wrong results.

- Do not exceed the maximum operation temperature at the sensors tip.
- Avoid condensation on the sensor element as this will affect the accuracy enormously.

Storage and transportation

- Make sure that the transportation temperature of the sensor is between -40°C ... $+100^{\circ}\text{C}$.
- For transportation it is recommended to use the packaging which comes with the sensor.
- Please make sure that the storage temperature of the sensor is between -40°C ... $+100^{\circ}\text{C}$.
- Avoid direct UV and solar radiation during storage.
- For the storage the humidity has to be $<90\%$, no condensation.

2 Registered trademarks

SUTO®

Registered trademark of SUTO iTEC

MODBUS®

Registered trademark of the Modbus Organization, Hopkinton, USA

HART®

Registered trademark of the HART Communication Foundation, Austin, USA

PROFIBUS®

Registered trademark of the PROFIBUS User Organization, Karlsruhe, Germany

3 Application

The pressure sensor is designed to measure the pressure of compressed air and gases within the permissible operating parameter. These parameters can be found in the technical data section.

The pressure sensor can measure the following values: pressure in MPa

The pressure sensor is not developed to be used in explosive areas. For the use in explosive areas please contact the manufacturer.

The pressure sensor is mainly used in compressed air systems in industrial environment.

4 Features

- High accurate and affordable industrial pressure sensor.
- Excellent anti-interference capability (EMC, EMI).
- Salt-spray, temperature and humidity test.
- IP67 protection
- 4 ... 20 mA loop powered

5 Technical data

5.2 General

CE	
Parameters	Standard unit pressure: MPa
Sensor	Thin-film measuring cell
Measuring medium	Air, gas (non corrosive gas)
Measuring range	0 ... 1.6 MPa (g) (S694 1886/3557) 0 ... 4.0 MPa (g) (S694 0356/3558) 0 ... 0.16 MPa (abs.) (S694 2564)
Temperature of the meas. medium	-30°C ... +100°C
Operating pressure	2 x F.S.
Burst pressure	2.5 x F.S.
Storage temperature	-40°C ... +100°C
Operating temperature	-30°C ... +80°C
Casing material	Stainless steel
Protection class	IP67
Dimensions	See dimensional drawing on the next page
Screwing thread	G 1/4" A (ISO 228/1)
Electrical connection	M12, 4 pins
Stability	< ± 0.25% F.S.
Vibration resistance	IEC 60068-2-6 5 ... 2000Hz, 10 g
Weight	70 g

5.3 Electrical data

Power supply	24 VDC (12 ... 32 VDC)
--------------	------------------------

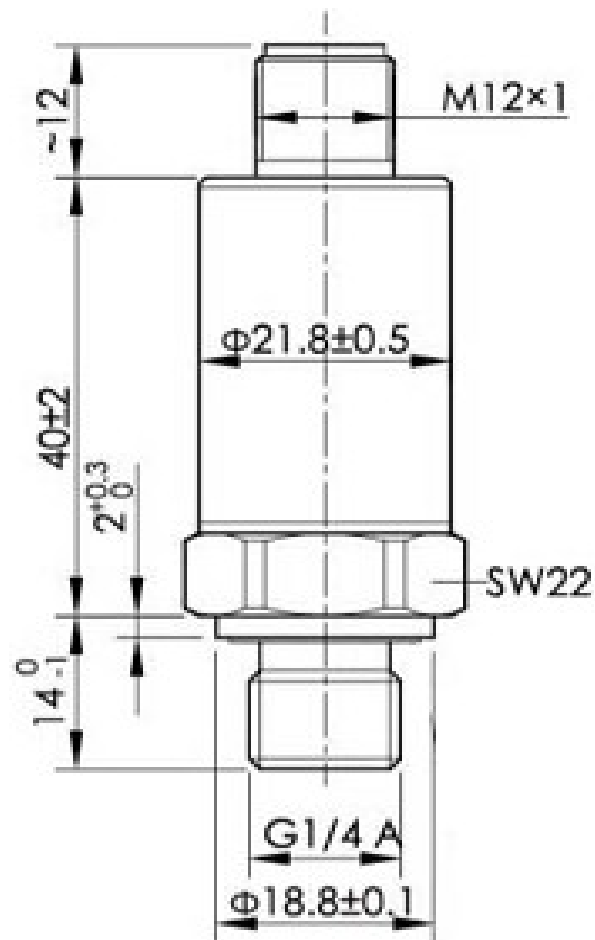
5.4 Output signals

Analogue output	4 ... 20 mA, 2-wire
-----------------	---------------------

5.5 Accuracy

Accuracy	$\pm 0.5\%$ F.S.
Repeatability	$\pm 0.25\%$ F.S.

6 Dimensional drawing



7 Installation

Please make sure that all components listed below are included in your package.

Qty	Description	Item No.
1	Pressure sensor (1.6 MPa or 4.0 MPa or 0.16 MPa)	S694 1886/ S694 0356/ S694 3557/ S694 3558/ S694 2564
1	M12 connector	No P/N
1	Instruction manual	No P/N
1	Calibration certificate	No P/N



ATTENTION!

Wrong measurement is possible, if the sensor is not installed correctly.

- The sensor is for indoor use only! At an outdoor installation, the sensor must be protected from solar radiation and rain.

7.2 Installation Requirements

To install the sensor a ball valve or a nozzle is needed.

The inner thread has to be G 1/4".

7.3 Installation Procedure

The following steps explain the procedure of an appropriate installation

Installation of the sensor

Please screw the pressure sensor tightly to the nozzle.

Removal of the sensor

Please loose unscrew the pressure sensor.

7.4 Electrical connection

The sensor is supplied with a M12 connector.

Pin	Signal	Assignment
1	V+	24 V DC power supply
2	I+	Positive 4 ... 20 mA signal (loop)
3	N/A	Not available
4	N/A	Not available

Optionally a cable with M12 plug can be ordered separately.

5 m cable: A553 0104

10 m cable: A553 0105

If ordered with the above mentioned cables, please refer to the below table for color coding.

Pin	Signal	Assignment	Color
1	V+	24 V DC power supply	brown
2	I+	Positive 4 ... 20 mA signal (loop)	white
3	N/A	Not used	blue
4	N/A	Not used	black
5	N/A	Not used	grey

8 Signal outputs

Analog output

The sensor has an analog output range of 4 ... 20 mA. It is a 2-wire analog output.

9 Calibration

The sensor is calibrated ex work. The exact calibration date is printed on the certificate which is supplied together with the sensor. The accuracy of the sensor is regulated by the on site conditions, parameters like oil, high humidity or other impurities can affect the calibration and furthermore the accuracy. However we recommend to calibrate the instrument at least once per year. The calibration is excluded from the instruments warranty. For this please contact the manufacturer.

10 Maintenance

To clean the sensor and its accessories it is recommended to use s moist cloth only



ATTENTION!

Do not use isopropyl alcohol to clean the sensor and its accessories !

11 Disposal or waste



Electronic devices are recyclable material and do not belong in the household waste.

The sensor, the accessories and its packings must be disposed according to your local statutory requirements. The dispose can also be carried by the manufacturer of the product, for this please contact the manufacturer.

SUTO iTEC GmbH

Grißheimer Weg 21
D-79423 Heitersheim
Germany

Tel: +49 (0) 7634 50488 00
Fax: +49 (0) 7634 50488 19
Email: sales@suto-itec.com
Website: <http://www.suto-itec.com>

SUTO iTEC (ASIA) Co., Ltd.

Room 10, 6/F, Block B, Cambridge Plaza
188 San Wan Road, Sheung Shui, N.T.
Hong Kong

Tel: +852 2328 9782
Fax: +852 2671 3863
Email: sales@suto-itec.asia
Website: <http://www.suto-itec.com>

All rights reserved ©

Modifications and errors reserved

S694_1886_0356_3557_3558_2564_Pressure_sensor_im_en_2020-3 - SUTO
