

Pressure Sensors — monitor your compressed air pressure



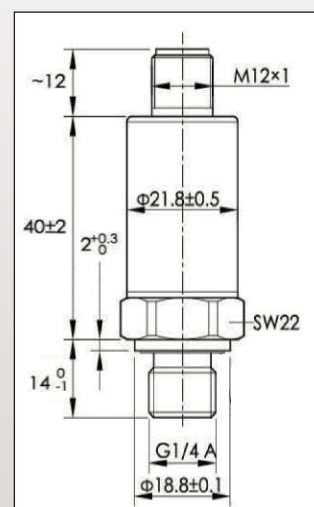
PRESSURE SENSOR APPLICATIONS

- Measure directly at the compressor outlet
- Measurement of compressed air consumers
- Measure pressure stability during your process
- Efficiency measurement
- Identify pressure loss
- Warning when pressure is too low/high

PRESSURE SENSOR FEATURES

- Reliable pressure indicator
- Cost-effective measurement
- Applicable almost anywhere

PRESSURE SENSOR DIMENSIONS



PRESSURE SENSOR TECHNICAL DATA

General Specifications		
Supply voltage	24 VDC (12 ... 32 VDC)	
Casing material	Stainless steel	
Mechanical connection	G 1/4" A (ISO 228/1)	
Electrical connection	M12 connector, 4 pins	
Proof pressure	2 x F.S.	
Vibration resistance	IEC 60068-2-6 (5 ... 2000 Hz, 10 g)	
Shock resistance	IEC 60068-2-27 (50 g, 11 ms)	
EMC proof	IEC 61000-6-2/3/4	
	4 ... 20 mA Loop powered	Modbus*
Accuracy	±0.5 % F.S. (typ.)	0.25 % F.S.
Media temperature	-30 ... +100 °C	-40 ... +85 °C
Output signal	4 ... 20 mA, 2-wire	Modbus/RTU
Protection	IP67	IP65
Storage temperature	-40 ... +100 °C	-40 ... +85 °C
Operating temperature	-30 ... +80 °C	-40 ... +85 °C
Repeatability	< ± 0.25 % F.S.	0.1 % F.S.

Modbus version:

Baud rate: 19200

Framing/Parity/Stop: 8, N, 1

Device address: Last two digits of the serial number

* Please specify the required Modbus parameters in your order.

PRESSURE SENSOR ORDERING

Please use the following table to assist in placing your order with our sales staff.



Visit our website or e-mail us:
www.suto-itec.com
sales@suto-itec.com

Pressure Sensor	
Order No.	Description
S694 3557	Pressure sensor, 1.6 MPa, 4 ... 20 mA loop powered, M12 connector
S694 3558	Pressure sensor, 4.0 MPa, 4 ... 20 mA loop powered, M12 connector
S694 2559	Pressure sensor, 1.6 MPa, Modbus/RTU, M12 connector
A553 0104	Sensor cable 5 m, with M12 connector, open wires
A553 0105	Sensor cable 10 m, with M12 connector, open wires
R200 0030	Pressure sensor calibration 1.6 MPa type, at 3 points

EUROPEAN OFFICE	CHINA OFFICE	ASIA / PACIFIC OFFICE
SUTO iTEC GmbH Grißheimer Weg 21 D-79423 Heitersheim Germany Tel: +49 (0) 7634 50488-00 Fax: +49 (0) 7634 50488-19 Email: sales@suto-itec.com	SUTO iTEC (China) Co. Ltd D3 Building, Unit A, 11/F, TCL International E City 1001 Zhongshanyuan Road, Nanshan Shenzhen, China Tel: +86 (0) 755 8619 3164 Fax: +86 (0) 755 8619 3165 Email: sales@suto-itec.cn	SUTO iTEC (ASIA) Co. Limited Room 10, 6/F, Block B, Cambridge Plaza 188 San Wan Road, Sheung Shui, N.T. Hong Kong Tel: +852 2328 9782 Fax: +852 2671 3863 Email: sales@suto-itec.asia