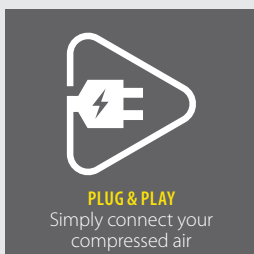


DEW POINT MONITOR

(-50 ... +20°C Td / -20 ... +50°C Td)

S305



Know your air quality — **Plug & Play**



S305 FEATURES



PLUG & PLAY

Simply connect your compressed air



DEW POINT MEASUREMENT

-50 ... +50°C Td depending on the model



PRECISE MEASUREMENT

± 2°C Td accuracy



ALARM INDICATION

With internal relays or alarm units

S305 FEATURES AT A GLANCE

- 2 models: -50 ... +20°C Td and -20 ... +50°C Td
- Plug & Play (complete solution)
- Compressed air supply through 6 mm quick-connect
- Power supply: 100 ... 240 VAC or 24 VDC
- Wall or panel mountable
- Accuracy of ±2°C Td
- IP65 casing provides robust protection in rough industrial environment
- 4 ... 20 mA output to PLC or SCADA system
- Pre- and Main-Alarm programmable:
 - Optical: red blinking display
 - 2 relay outputs

S305 BENEFITS

Refrigeration dryers are the most commonly used dryer type in compressed air system around the world. If the required drying is not achieved, the impact of wet air can be serious: Rust in the pipes, failures of machines, and a negative impact on product quality.

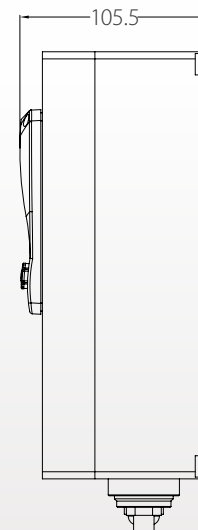
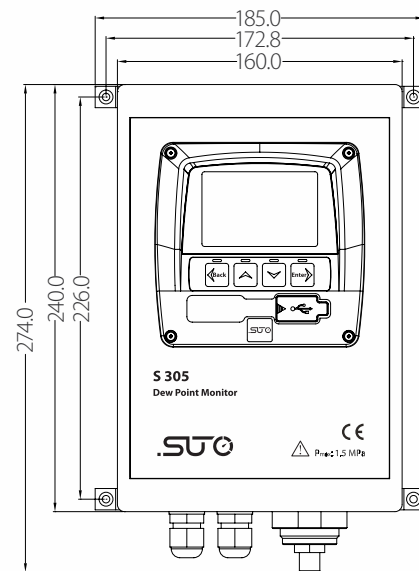
SUTO offers with the S305 a measuring device for dew point monitoring that kicks in alarm indications when drying values are not within the desired range.

The All-In-One dew point monitor serves as a measuring and display device. The connection to the compressed air network is via a 6-mm quick connect and corresponding connecting hose. The entire measuring unit is integrated together with the display in a rugged housing (IP65) and is available both as a panel variant or as a wall-mounted housing. Two alarm levels can be programmed (pre and main alarm), serving an optical indications or separate relay outputs. The dew point meter allows a simple and inexpensive dew point monitoring.

S305 TECHNICAL DATA

General Specifications		
Measuring range (model depending)	Dew point	-50 ... +20°C Td -20... +50°C Td
Dew point sensor	Polymer	
Temperature sensor	NTC	
Pressure sensor	N/A	
Accuracy	Dew point	±2°C Td
	Temperature	0.3°C
Operating Pressure	0.3 ... 1.5 Mpa	
Operating Temperature (Medium)	-30 ... +70°C	
Measured gases (Medium)	Non-corrosive gases	
Response Time t90 (@ 4 l/min)	-50°C Td -> -20°C Td = 20 sec 0°C Td -> -40°C Td = 120 sec	
Ambient Temperature	-10 ... +40°C	
Ambient Humidity	0 ... 100% rH	
Supply Voltage (model depending)	100 ... 240 VAC 24 VDC	
Current consumption (model depending)	40 mA @ 220 VAC 120 mA @ 24 VDC	
Output signals	4 ... 20 mA 3-Wire	
Electrical connection	Screw terminals	
Process connection	6 mm quick connector	
Casing material	ABS, Aluminium alloy	
Classification	IP65	
EMC	IEC 61326-1	
Approval	-	
Sensor protection	Sinter filter	
Transport Temperature	-30 ... +70°C	
Storage Temperature	0 ... +40°C	
Weight	520 g	

S305 DIMENSIONS



Stated accuracy under following conditions:

- Ambient temperature 23°C ±3°C
- Process temperature 23°C ±3°C
- Ambient humidity < 95%, no condensation
- Airflow > 2 l/min at sensor tip



optional alarm unit mounted on the housing

S305 ORDERING

Please use the following table to assist in placing your order with our sales staff.



Visit our website or e-mail us:
www.suto-itec.com
sales@suto-itec.com

S305 DEW POINT MONITOR (-50 ... +20°C Td / -20 ... +50°C Td)	
Order No.	Description
D699 3050	S305, dew point monitor, -20 ... +50°C Td, 6 mm quick connector, 15 bar, 1 x 4 ... 20 mA, 100 ... 240 VAC, 2 relay outputs
D699 3051	S305, dew point monitor, -20 ... +50°C Td, 6 mm quick connector, 15 bar, 1 x 4 ... 20 mA, 24 VDC, 2 relay outputs
D699 3052	S305, dew point monitor, -50 ... +20°C Td, 6 mm quick connector, 15 bar, 1 x 4 ... 20 mA, 100 ... 240 VAC, 2 relay outputs
D699 3053	S305, dew point monitor, -50 ... +20°C Td, 6 mm quick connector, 15 bar, 1 x 4 ... 20 mA, 24 VDC, 2 relay outputs
Accessories	
C198 0005	Filter cap, stainless steel, 30 µm pore size
A554 0024	Alarm unit, 100 ... 240 VAC, red light and buzzer alarm, wall mountable (unit is using the relay outputs of S305 to trigger the alarm)
A554 0025	Alarm unit, 100 ... 240 VAC, red light and buzzer alarm, mounted at S305 casing (unit is using the relay outputs of S305 to trigger the alarm)
A553 0106	Power cable with mains plug, 1.8 m