



Timer Drain

Electric Operated Condensate Drain

# Sure-Drain



Adjustable solenoid-style timer drain.

Robust design in an economical package.

Removes condensate, (oil and water) from compressed air systems.

## Features

Dual-adjustable solid-state timer

Pilot lights for Power (red) and Valve Open (green)

NEMA 4X enclosure

Mounting tabs for wall or panel mount

Available in 1/4" and 1/2" sizes

Pressure ratings up to 1500 PSI

Vesatile for many applications

## Benefits

Easy adjustment of both drain frequency and length of drain cycle

Indicate drain status at a glance

Rugged and non-corrosive

Flexible positioning

Designed for use on a wide range of flows

Available for use on a wide range of applications

Can be used for filters, air receivers, air dryers, separators and aftercoolers

## Model No. SD11 Series

### Specifications

Inlet/Outlet: 1/4" NPT / 1/2" NPT

Drain Cycle Frequency: 5 secs. – 50 mins.

Drain Cycle Time: 1 – 15 secs.

Pressure: 200 PSI, with options for others - see Ordering Information chart

Grounded Cord: 8 ft.

Voltage: 115V, with options for others

NEMA 4X Enclosure: 6" X 3" x 3"

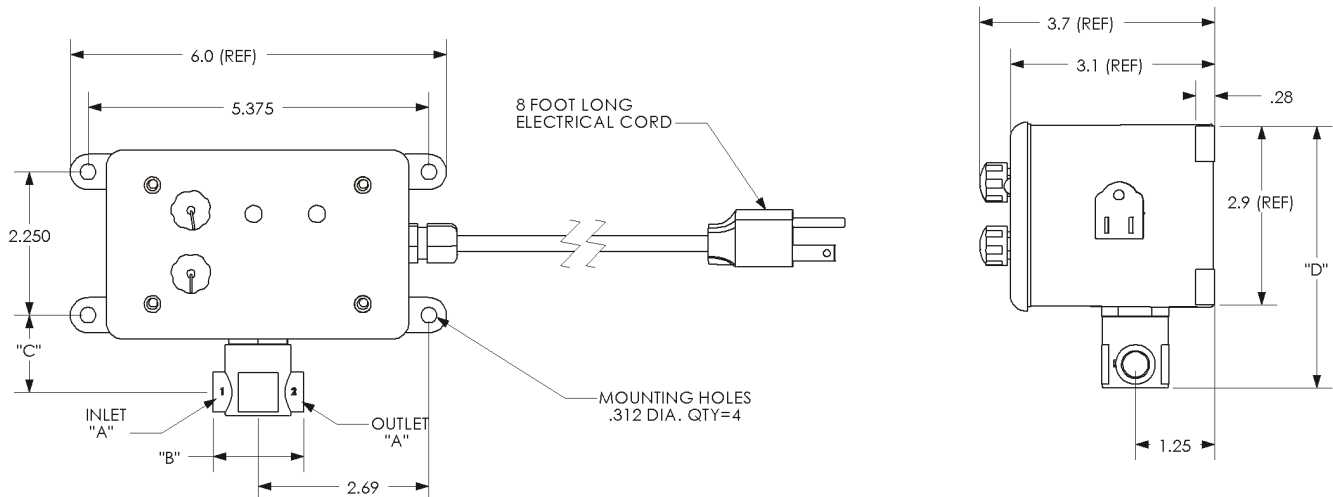
### How It Works

The solid state timer initiates a drain cycle by energizing the valve coil that opens the valve and allows the condensate to drain. When the timer times-out, the coil is de-energized and the valve is spring-returned to the closed position.

### Ordering Information

Stock No.	Description	Weight
SD11	Sure-Drain Timer Controller with Single Valve	2 lbs.
SD11-500	1/4" 500 PSI	2 lbs.
SD11-1500	1/4" 1500 PSI	2 lbs.
SD11-C12	1/2" 300 PSI	2 lbs.

### Dimensions



**AIRTEC GLOBAL LLC**  
1100 NW Loop 410 Ste. 764  
San Antonio, TX 78213  
Phone: (210) 366-8805  
Email: support@airtec.global  
http://airtec.global

All design specifications are subject to change without notice.

© 2017 FGA-012-072817-03