

# CPVS Series

Variable Speed Drive Rotary Screw Air Compressors



People  
Passion  
Performance



# Variable Speed Drive Rotary Screw Air Compressors

## Compressed Air That Pays For Itself

The Chicago Pneumatic Variable Speed (CPVS) compressor allows you to save operating costs when your application does not require the compressor's full capacity. Artificial intelligence automatically maintains designated pressure and provides only the air that your system requires. As a result, you save energy and money. The CPVS is great as a stand-alone machine or networked to a base-load compressor where it can function as a trim machine.

### CPVS 20 to 30 hp

Belt Drive			
Model	CPVS-20 HP(D)	CPVS-25 HP(D)	CPVS-30 HP(D)
Horsepower	20	25	30
Min-Max acfm @ 100 psig	22 - 89	30 - 112	35 - 130
Sound Level (dBA)	69	72	74
Base Mount L x W x H (in)	47 x 32 x 48	47 x 32 x 48	47 x 32 x 48
Net Wt. / Shipping Wt. (lb)	807 / 898	827 / 918	862 / 953
Base Mount w/Dryer L x W x H (in)	66 x 32 x 48	66 x 32 x 48	66 x 32 x 48
Net Wt. / Shipping Wt. (lb)	978 / 1069	988 / 1079	1022 / 1113
Tank Mount L x W x H (in)	77 x 32 x 73	77 x 32 x 73	77 x 32 x 73
Net Wt. / Shipping Wt. (lb)	TBD	TBD	TBD
Tank Mount w/Dryer L x W x H (in)	77 x 32 x 73	77 x 32 x 73	77 x 32 x 73
Net Wt. / Shipping Wt. (lb)	TBD	TBD	TBD

### CPVS 40 to 250 hp

Gear Drive					
Model	CPVS-40	CPVS-50	CPVS-60	CPVS-75	CPVS-95
Horsepower	40	50	60	75	100
Min-Max acfm @ 100 psig	54 - 198	67 - 239	80 - 285	103 - 350	129 - 456
Sound Level (dBA)	73	73	74	75	78
L x W x H (in)	56 x 42 x 64	56 x 42 x 64	56 x 42 x 64	67 x 42 x 64	67 x 42 x 64
Base Weight (lb)	1852	2028	2039	2646	3058

Gear Drive					
Model	CPVS-100	CPVS-120	CPVS-150	CPVS-175	CPVS-250
Horsepower	100	125	150	175	240
Min-Max acfm @ 100 psig	139 - 515	162 - 573	127 - 674	229 - 873	173 - 1071
Sound Level (dBA)	75	77	75	75	74
L x W x H (in)	75 x 42 x 64	75 x 42 x 64	88 x 42 x 64	120 x 58 x 76	125 x 62 x 78
Base Weight (lb)	3616	3682	4101	7057	7826



### Standard Features:

- Low sound enclosure
- Min/Max outlet pressure: 58-145 psi (20-30 hp)
- Min/Max outlet pressure: 58-189 psi (40-250 hp)
- 30-100% capacity
- Networking capability
- ES3000 electronic microprocessor (20-30 hp)
- ES4000 Advanced controller (40-150 hp)
- Airlogic electronic microprocessor (175-250 hp)
- 460V, TEFC motor
- Heavy duty, 2-stage pre-filtration
- Axial cooling fan (40-125 hp)
- Centrifugal cooling fan (150-250 hp)

### Designed to Last

Every CPVS comes with a rugged, Vacon variable speed drive that does much more than simply control the speed of the motor. The VSD comes completely programmed and wired, so time spent on installation and set-up are minimized. The VSD also includes a removable LCD display, integrated cooling fans, built-in line reactor and electromagnetic frequency filters as standard equipment.

### Setting the Standard

Competitive VSD compressors require external vents to keep the VSD cool during operation. Ventilated VSDs still overheat and ultimately fail in the field because they become contaminated as dust and debris are ingested over time. The VSD on the CPVS has integrated fans which use cool air from the intake and do not require vents in the electrical cabinet door. The VSD always stays cool and protected.

### Built-in Protection

The line reactor protects against voltage spikes and fluctuations, also known as "dirty voltage". A common example occurs when generators are used to run the compressors. Voltage fluctuations from the generator cannot be adequately controlled, which will result in damage to the compressor motor and VSD. EMF (electromagnetic frequency protection) prevents electromagnetic frequency in the plant from damaging the VSD, as well as protecting plant equipment from magnetic frequencies that may be generated by the VSD.



### The CP Compressor Guarantee

Chicago Pneumatic (CP) is dedicated to providing high quality, reliable equipment that has stood the test of time as one of the most rugged compressors in the market. Our compressors are 100% factory tested, and we stand behind our products with one of the most competitive warranties in the industry!

- |                              |  |
|------------------------------|--|
| • All rotary screw           | 1 Year with option to extend to 5 Years* |
| • Two-stage reciprocating**  | 2 Years                                  |
| • Single-stage reciprocating | 1 Year                                   |

\*Screw compressors are supported by our CP Secure 1-Year Warranty with the option to extend to a full 5-year warranty (authorized start-up required and regular maintenance with factory authorized fluids and parts).

\*\*Excluding Two-stage Gasoline Drive Contractor Series which are covered for 1 year.

CP compressors are supported by a network of trained service technicians who can provide complete warranty support, spare parts and technical consultation. For more information on our products, please contact your CP territory sales manager or a local authorized CP distributor.





# Chicago Pneumatic



**CPBg 35-50 hp**  
**CPVsd 35-50 hp**

**People. Passion. Performance.**



# 35-50 hp Rotary Screw Compressors

## The range that meets all your requirements

**With the CPBg and CPVSd range you obtain an efficient, reliable and complete solution which fits a wide range of compressed air requirements.**

### A wide offer

- Available power sizes: 35-40-50 hp (CPBg & CPVSd)
- 4 pressure variants for CPBg: 100-125-150-175 psig (fixed speed)
- 1 pressure variant: 73-188 psig for CPVSd (variable speed)

### High efficiency transmissions

- Reduced energy consumption compared to belt driven technology
- Longer service intervals compared to belt technology
- CPBg are gear drive fix speed units
- CPVSd are direct drive variable speed units

### Easy accessibility and installation

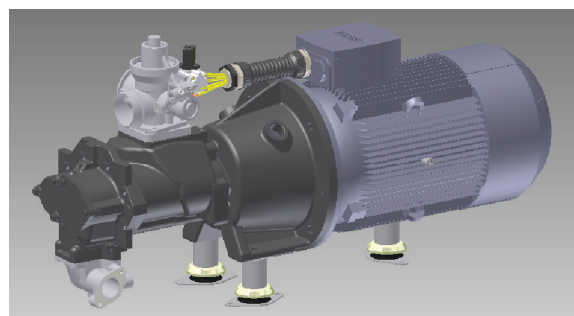
- Easy to service thanks to the large hinged doors and removable panels
- Easy to install thanks to a high variety of configurations and scope of supply
- D variant available with integrated dryer and coalescing filter
- Low noise levels and compactness: can be installed close to the workplace

### Highly efficient air intake filtration and oil separation

- Fresh air taken from the cold side of the compressor to improve efficiency
- Two micron encapsulated intake filters guarantee only clean air enters the compressor
- Spin on oil separation for 35 hp and internal separator with over sized oil vessel for 40 and 50 hp for a pressure drop < 3.6 psig

### Optimal ventilation and oversized cooler

- Cooling flow results in a lower working temperature
- A separated air flow offers you an efficient motor and inverter cooling together with a long life time of oil, components and compressor
- Optimal ventilation flow is assured with low energy consumption
- Oversized oil and air coolers for better cooling and lower operating temperature



Optional  
Super Silencing Baffle:  
-2 dB(A)



# Gear Drive Rotary Screw Air Compressors

## CPBg 35-50 hp

### Reliable Compressed Air For Serious Professionals

Experience the innovation and worry-free operation of the Chicago Pneumatic gear drive series of rotary screw air compressors. Pre-filtered air intake and reduced voltage starting mean low operating and maintenance costs. Standard enclosure and ease of maintenance produce an environment that lets you focus on your business, not your compressor!

#### Standard Features:

- Low sound enclosure and pre-filtration panel with foam
- 100, 125, 150 and 175 psig available
- Rapid, single-panel maintenance
- Wye-delta, reduced voltage start
- ES4000 microprocessor control
- Standard IP 55 class F IE3 dual voltage 230-460 motor
- Independent oil and air aftercoolers
- Temperature protection on drive side motor bearings
- Improved long life inlet valve
- Shipped with mineral oil
- ASME and cUL approved



# Variable Speed Direct Drive Rotary Screw Air Compressors

## CPVSd 35-50 hp

### Compressed Air That Pays For Itself

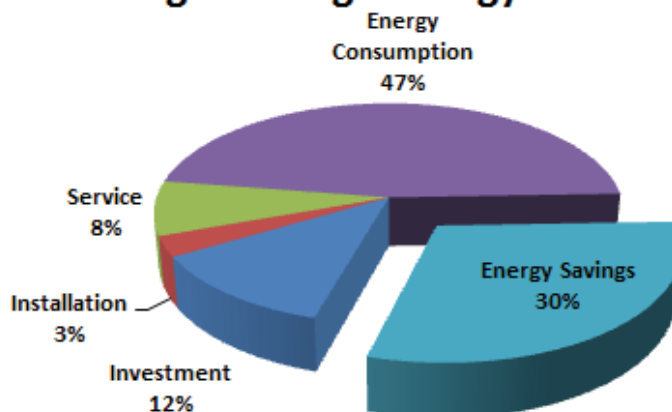
The Chicago Pneumatic Variable Speed direct drive (CPVSd) compressor allows you to save operating costs when your application does not require the compressor's full capacity. Artificial intelligence automatically maintains designated pressure and provides only the air that your system requires. As a result, you save energy and money. The CPVSd is great as a stand-alone machine or networked to a base-load compressor where it can function as a trim machine.

### Standard Features:

- Low sound enclosure
- 73-188 psig pressure range
- 20-100% turndown capacity
- Networking capability
- ES4000 advanced controller
- IP 54 designed for converter duty motors (460V, TEFC)
- Heavy duty, 2-stage pre-filtration
- Shipped with synthetic oil
- EMC filter and line reactor
- Easily accessible integrated inverter drive
- Optimized cooling system to improve electronic device reliability



### Savings Through Energy Efficiency



### Savings Through Energy Features

Energy cost represent about 70% of the total operating cost of your compressor over a five (5) year period. That is why reducing the operating cost of a compressed air solution should be a major focus. Variable frequency driven compressors can "cut" your energy bill by up to 30%.



# Rotary Screw Air Compressors with Integrated Dryer & Coalescing Filter

## CPBg D 35-50 hp & CPVSd D 35-50 hp



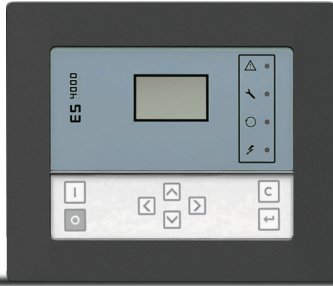
### Additional Features and Benefits (Integrated Dryer and Coalescing Filter)

- New oversized dryer installed in the cold part of the unit to ensure maximum amount of moisture removal
- Integrated coalescing filter (0.01 micron)
- Integrated Electronic Zero Loss drain for efficient removal of condensate
- Reduced condensate meaning less pipe corrosion and particulate carry-over
- Simple maintenance
- All in one design
  - Reduced footprint
  - Compact design compressor can be placed closer to point of use
  - Improved compressed air quality with integrated dryer and filter
  - No installation cost for air treatment: already connected (leak free)
  - Piping design allows for less pressure drop and less energy consumption

## Intelligent Savings

The CPBg series is managed by the ES4000 Standard while the CPVsd series is managed by the ES4000 Advanced. These electronic control units are programmed for energy saving operation with intelligent shutdown. The ES4000 control can be programmed to shutdown in accordance with your plant air demand and reduce long periods of unloaded operation, reducing power cost. The ES4000 control feature can save a customer hundreds of dollars per year.

ES4000 Standard



The ES4000 constantly monitors compressor operation and notifies you—before a problem occurs!

ES4000 Advanced



### Features:

- Automatic Restart After Voltage Failure
- I/O Expandable
- Service Warnings
- Remote Pressure Sensor Possible
- Remote Monitoring

### Features:

- Graphic Display
- Automatic Restart After Voltage Failure
- I/O Expandable
- Graphic Service Plan Indicator
- Real Time Trending
- Daily/Weekly Schedule
- Remote Monitoring
- Master Control Capability

## Options

- **Canopy Heater** for low temperature installation (down to 14 °F)
- **Energy Recovery** to recover up to 70% of the electrical energy consumption as warm water
- **Phase Sequence Control (CPBg only)** protects the compressor and avoids motor damages when the power supply is not reliable
- **Electrical Main Switch**
- **Synthetic Oil (standard with CPVsd)**
- **Food Grade Oil** for food & beverage applications
- **Super Silencing Baffle** option available on field kit: extra -2 dB(A)
- **ES4000 Advanced (standard on CPVsd)**
- **ECOntrl 6i Central Control**



## The CP Compressor Guarantee

Chicago Pneumatic (CP) is dedicated to providing high quality, reliable equipment that has stood the test of time as one of the most rugged compressors in the market. Our compressors are 100% factory tested, and we stand behind our products with one of the most competitive warranties in the industry!

- |                              |  |
|------------------------------|--|
| • All rotary screw           | 1 Year with option to extend to 5 Years* |
| • Two-stage reciprocating    | 2 Years                                  |
| • Single-stage reciprocating | 1 Year                                   |

*\*Screw compressors are supported by our CP Secure 1-Year Warranty with the option to extend to a full 5-year warranty (authorized start-up required and regular maintenance with factory authorized fluids and parts).*

CP compressors are supported by a network of trained service technicians who can provide complete warranty support, spare parts and technical consultation. For more information on our products, please contact your CP territory sales manager or a local authorized CP distributor.

# Technical Data

## CPBg

Model	CPBg (D)-35	CPBg (D)-40	CPBg (D)-50
Horsepower	35	40	50
acfm @ 100 psig	168	189	213
acfm @ 125 psig	154	175	205
acfm @ 150 psig	138	161	176
acfm @ 175 psig	128	143	164
Sound Level (dBA)	69	70	71
Base Mount L x W x H (in)	53 x 31 x 62	53 x 31 x 62	53 x 31 x 62
Net Wt. (lb)	1014	1235	1373
Base Mount w/Dryer L x W x H (in)	53 x 31 x 62	72 x 31 x 62	72 x 31 x 62
Net Wt. (lb)	1179	1501	1640

D variant includes integrated dryer and one integrated coalescing filter;

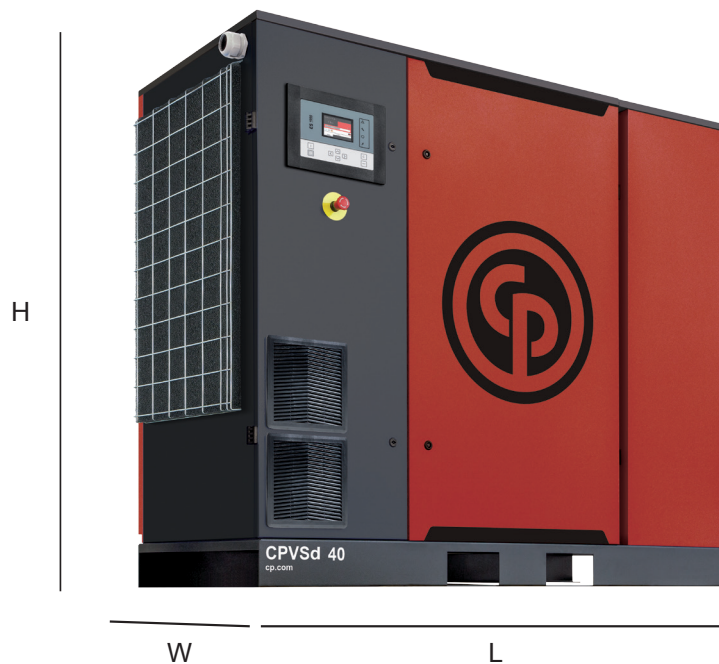
CPBgs scope of supply includes ES4000 (LCD) and mineral oil.

## CPVSd

Model	CPVSd (D)-35	CPVSd (D)-40	CPVSd (D)-50
Horsepower	35	40	50
Min-Max acfm @ 100 psig	27-164	35-193	37-212
Sound Level (dBA)	69	70	71
Base Mount L x W x H (in)	53 x 31 x 62	53 x 31 x 62	53 x 31 x 62
Net Wt. (lb)	979	1085	1134
Base Mount w/Dryer L x W x H (in)	53 x 31 x 62	72 x 31 x 62	72 x 31 x 62
Net Wt. (lb)	1131	1338	1387

CPVSd pressure can be set between 73 and 188 psig;

CPVSds scope of supply includes ES4000 Advanced and synthetic oil.





# CPVS 60-95 PM Series

Variable Speed Drive Permanent Magnet Rotary Screw Air Compressors



People  
Passion  
Performance



Chicago  
Pneumatic

# Variable Speed Drive Permanent Magnet Rotary Screw Air Compressors

## Innovating Where it Matters Most.

Compressed air drives your processes and with it, the operational efficiency and performance of your company. With this principle in mind, Chicago Pneumatic has designed the CPVS PM, a range of variable speed, oil-injected screw compressors with iPM motor technology to offer your business a compressed air solution that adds value and saves you money at the same time.

## Revolutionary Drive Train Technology

### Improved energy efficiency saves you money

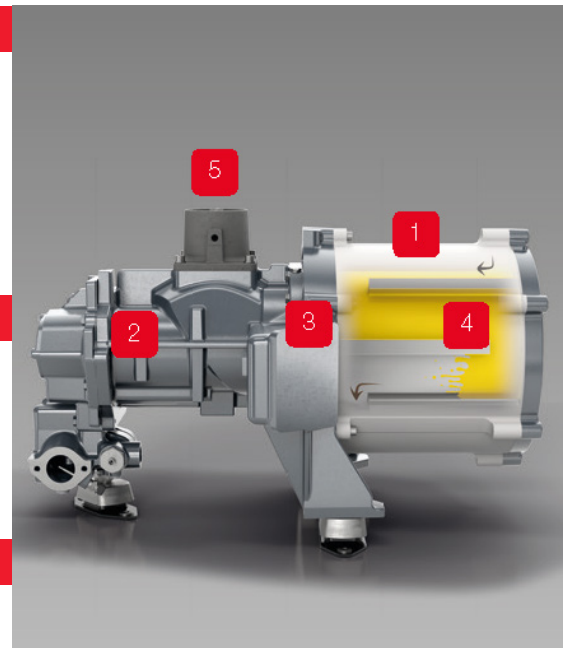
- In-house designed iPM motor (1) with IE4 Super Premium Efficiency
- New generation in-house designed screw elements (2), with improved efficiency
- Integrated direct drive transmission (3) for minimal losses
- Smart inlet valve (5) optimizes the inlet flow and improves efficiency

### Increased reliability extends lifetime

- iPM motor (1) rated IP66, premium protection against dust and water ingress
- Globally renowned screw elements (2), proven in thousands of installations
- Optimal cooling at all speeds and conditions thanks to oil-cooling principle (4) of the iPM motor (1).

### Maintenance-free design minimizes downtime

- No (re)greasing of the motor (1) bearing needed.
- Coupling-free direct drive design (3), no maintenance needed.
- Smart inlet valve (5), no maintenance needed.



## CPVS 60 to 95 HP Specifications

Model	CPVS 60 PM	CPVS 75 PM	CPVS 95 PM
Horsepower	60	75	100
Min-Max acfm @ 100 psig	63 - 322	61 - 389	59 - 466
Min-Max PSI	60 - 188	60 - 188	60 - 188
Sound Level (dBA)	69	71	71
L x W x H (in)	69 x 42 x 64	69 x 42 x 64	69 x 42 x 64
Weight (lbs)	1,895	1,940	1,984
Motor	460V	460V	460V
Starter	Soft-Start	Soft-Start	Soft-Start
Oil Capacity	36 L / 9.5 Gal.	36 L / 9.5 Gal.	36 L / 9.5 Gal.
Lubricating Oil	Rotair Plus	Rotair Plus	Rotair Plus
Connection Size	1 1/2"	1 1/2"	1 1/2"

# Variable Speed Drive Permanent Magnet Rotary Screw Air Compressors



## Standard Features:

- Low sound enclosure
- Min/Max outlet pressure: 60-188 psi
- 30-100% capacity
- Networking capability
- ES4000T Touchscreen controller
- iPM motor
- Imperium inverter
- Separate oil and air coolers
- High-efficiency radial fan
- 2-stage filtration
- Base mounted



**iPM Motor**

In-house designed interior permanent magnet motor with IE4 efficiency. Oil-cooled for optimal cooling at all speeds.



**Imperium Inverter**

In-house designed Imperium inverter ensures perfect match between air demand and air supply.



**Separate Coolers**

Separate oil and air cooler for high-quality cooling and long life-time of the coolers.



**Radial Fan**

Highly efficient and low-noise radial fan as standard.



**ES4000T Controller**

Easy-to-use, graphical touchscreen display with integrated connectivity (ICONS) to optimize and save energy.



## The CP Compressor Guarantee

Chicago Pneumatic (CP) is dedicated to providing high quality, reliable equipment that has stood the test of time as one of the most rugged compressors in the market. Our compressors are 100% factory tested, and we stand behind our products with one of the most competitive warranties in the industry!

- |                              |  |
|------------------------------|--|
| • All rotary screw           | 1 Year with option to extend to 5 Years* |
| • Two-stage reciprocating**  | 2 Years                                  |
| • Single-stage reciprocating | 1 Year                                   |

\*Screw compressors are supported by our CP Secure 1-Year Warranty with the option to extend to a full 5-year warranty (authorized start-up required and regular maintenance with factory authorized fluids and parts).

\*\*Excluding Two-stage Gasoline Drive Contractor Series which are covered for 1 year.

CP compressors are supported by a network of trained service technicians who can provide complete warranty support, spare parts and technical consultation. For more information on our products, please contact your CP territory sales manager or a local authorized CP distributor.



# Variable Speed Drive Permanent Magnet Rotary Screw Air Compressors

## Why Energy Efficiency?

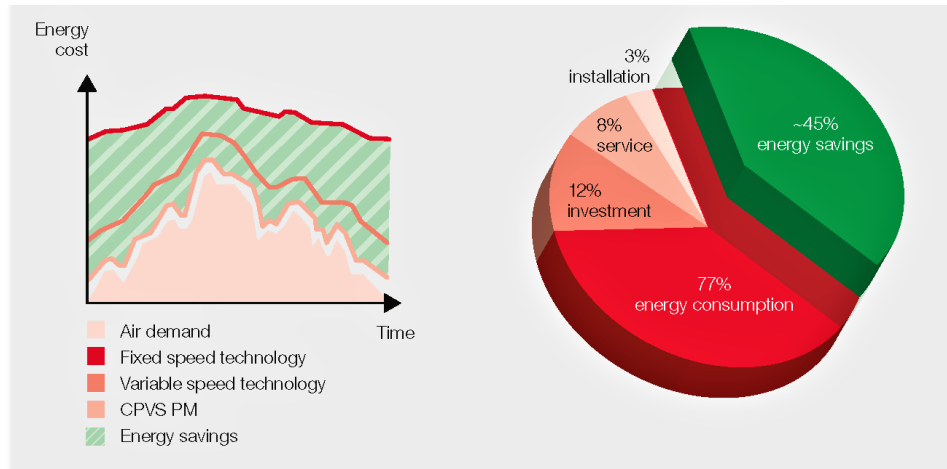
Energy costs represent about 70% of the total operating cost of your compressor over a 5-year period. Therefore, reducing the energy consumption of your compressed air installation should be a major focus to ensure the lowest cost of ownership.

## Why Variable Speed Compressors?

Because the majority of industrial applications require a variable demand for compressed air, variable speed compressors are proven to be superior to fixed speed compressors when it comes to reducing energy costs. By matching the air supply to the air demand, unload losses are avoided and energy costs reduced on average by 30%.

## Why Invest in CPVS PM?

In the CPVS PM range we have combined our Imperium variable speed technology with our new and highly efficient drive train with iPM motor technology and evolved the energy efficiency of variable speed compressors to a new level that results in up to 45% energy savings.



## ES4000 T Touchscreen Controller

### Easy to Use

- Graphical touchscreen display
- Integrated connectivity (ICONS) - to optimize and save energy
- Special enclosure to protect from water/dust

### Fast & Responsive

- 533MHz processor
- 32MB RAM

### More Data

- Environmental conditions (temp. range, humidity, altitude, etc.)
- Control algorithms
- Motor direction phase sequence protection

# CPVS Series

Variable Speed Drive Rotary Screw Air Compressors



People  
Passion  
Performance



# Variable Speed Drive Rotary Screw Air Compressors

## Compressed Air That Pays For Itself

The Chicago Pneumatic Variable Speed (CPVS) compressor allows you to save operating costs when your application does not require the compressor's full capacity. Artificial intelligence automatically maintains designated pressure and provides only the air that your system requires. As a result, you save energy and money. The CPVS is great as a stand-alone machine or networked to a base-load compressor where it can function as a trim machine.

### CPVS 20 to 30 hp

Belt Drive			
Model	CPVS-20 HP(D)	CPVS-25 HP(D)	CPVS-30 HP(D)
Horsepower	20	25	30
Min-Max acfm @ 100 psig	22 - 89	30 - 112	35 - 130
Sound Level (dBA)	69	72	74
Base Mount L x W x H (in)	47 x 32 x 48	47 x 32 x 48	47 x 32 x 48
Net Wt. / Shipping Wt. (lb)	807 / 898	827 / 918	862 / 953
Base Mount w/Dryer L x W x H (in)	66 x 32 x 48	66 x 32 x 48	66 x 32 x 48
Net Wt. / Shipping Wt. (lb)	978 / 1069	988 / 1079	1022 / 1113
Tank Mount L x W x H (in)	77 x 32 x 73	77 x 32 x 73	77 x 32 x 73
Net Wt. / Shipping Wt. (lb)	TBD	TBD	TBD
Tank Mount w/Dryer L x W x H (in)	77 x 32 x 73	77 x 32 x 73	77 x 32 x 73
Net Wt. / Shipping Wt. (lb)	TBD	TBD	TBD

### CPVS 40 to 250 hp

Gear Drive					
Model	CPVS-40	CPVS-50	CPVS-60	CPVS-75	CPVS-95
Horsepower	40	50	60	75	100
Min-Max acfm @ 100 psig	54 - 198	67 - 239	80 - 285	103 - 350	129 - 456
Sound Level (dBA)	73	73	74	75	78
L x W x H (in)	56 x 42 x 64	56 x 42 x 64	56 x 42 x 64	67 x 42 x 64	67 x 42 x 64
Base Weight (lb)	1852	2028	2039	2646	3058

Gear Drive					
Model	CPVS-100	CPVS-120	CPVS-150	CPVS-175	CPVS-250
Horsepower	100	125	150	175	240
Min-Max acfm @ 100 psig	139 - 515	162 - 573	127 - 674	229 - 873	173 - 1071
Sound Level (dBA)	75	77	75	75	74
L x W x H (in)	75 x 42 x 64	75 x 42 x 64	88 x 42 x 64	120 x 58 x 76	125 x 62 x 78
Base Weight (lb)	3616	3682	4101	7057	7826





### Standard Features:

- Low sound enclosure
- Min/Max outlet pressure: 58-145 psi (20-30 hp)
- Min/Max outlet pressure: 58-189 psi (40-250 hp)
- 30-100% capacity
- Networking capability
- ES3000 electronic microprocessor (20-30 hp)
- ES4000 Advanced controller (40-150 hp)
- Airlogic electronic microprocessor (175-250 hp)
- 460V, TEFC motor
- Heavy duty, 2-stage pre-filtration
- Axial cooling fan (40-125 hp)
- Centrifugal cooling fan (150-250 hp)

### Designed to Last

Every CPVS comes with a rugged, Vacon variable speed drive that does much more than simply control the speed of the motor. The VSD comes completely programmed and wired, so time spent on installation and set-up are minimized. The VSD also includes a removable LCD display, integrated cooling fans, built-in line reactor and electromagnetic frequency filters as standard equipment.

### Setting the Standard

Competitive VSD compressors require external vents to keep the VSD cool during operation. Ventilated VSDs still overheat and ultimately fail in the field because they become contaminated as dust and debris are ingested over time. The VSD on the CPVS has integrated fans which use cool air from the intake and do not require vents in the electrical cabinet door. The VSD always stays cool and protected.

### Built-in Protection

The line reactor protects against voltage spikes and fluctuations, also known as "dirty voltage". A common example occurs when generators are used to run the compressors. Voltage fluctuations from the generator cannot be adequately controlled, which will result in damage to the compressor motor and VSD. EMF (electromagnetic frequency protection) prevents electromagnetic frequency in the plant from damaging the VSD, as well as protecting plant equipment from magnetic frequencies that may be generated by the VSD.



### The CP Compressor Guarantee

Chicago Pneumatic (CP) is dedicated to providing high quality, reliable equipment that has stood the test of time as one of the most rugged compressors in the market. Our compressors are 100% factory tested, and we stand behind our products with one of the most competitive warranties in the industry!

- |                              |  |
|------------------------------|--|
| • All rotary screw           | 1 Year with option to extend to 5 Years* |
| • Two-stage reciprocating**  | 2 Years                                  |
| • Single-stage reciprocating | 1 Year                                   |

\*Screw compressors are supported by our CP Secure 1-Year Warranty with the option to extend to a full 5-year warranty (authorized start-up required and regular maintenance with factory authorized fluids and parts).

\*\*Excluding Two-stage Gasoline Drive Contractor Series which are covered for 1 year.

CP compressors are supported by a network of trained service technicians who can provide complete warranty support, spare parts and technical consultation. For more information on our products, please contact your CP territory sales manager or a local authorized CP distributor.

# CPVsd 10-20 hp

Variable Speed Direct Drive Rotary Screw Air Compressors



People  
Passion  
Performance



# Variable Speed Direct Drive Rotary Screw Air Compressors

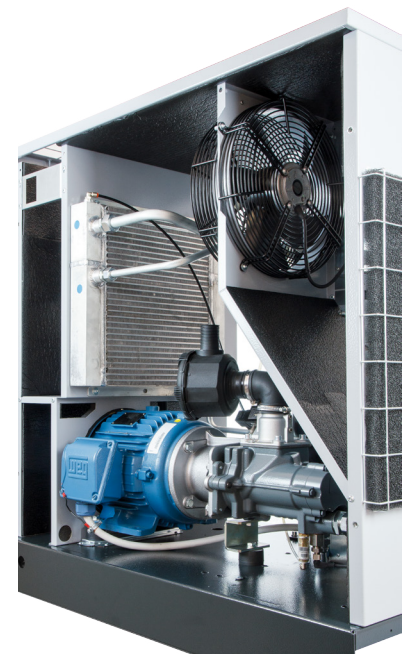
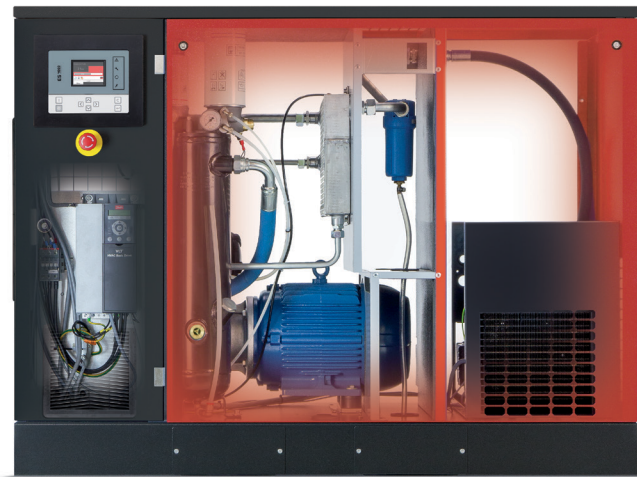
## CPVSd 10-20 hp

### Compressed Air That Pays For Itself

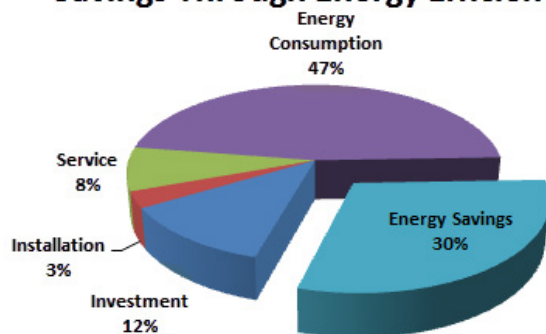
The Chicago Pneumatic Variable Speed direct drive compressor (CPVSd) allows you to save operating costs when your application does not require the compressor's full capacity. The ES4000 Advanced Controller automatically maintains your desired system pressure and provides only the air that your system requires on a smooth consistent basis. Variable speed technology coupled with a direct drive transmission results in energy savings of up to 30%. The CPVSd can function as a stand-alone machine or networked to a base-load compressor where it can function as a trim machine.

### Standard Features:

- Low sound enclosure, as quiet as 62 dB with optional silencing baffle
- Direct drive transmission for energy savings and reduced maintenance cost
- 73-182 psig pressure range
- 20-100% turndown capacity
- ES4000 Advanced graphic controller
- 460V standard
- 230V available for tank mounted models
- IP55 TEFC High Frequency Motors designed for variable speed use
- Heavy duty, 2-stage pre-filtration
- Shipped with synthetic oil
- Easily accessible integrated inverter drives
- Stable pressure due to Variable Speed drive
- EControl 6i capable
- ICONS capable



### Savings Through Energy Efficiency



### Savings Through Energy Features

Energy cost represent about 70% of the total operating cost of your compressor over a five (5) year period. That is why reducing the operating cost of a compressed air solution should be a major focus. Variable frequency driven compressors can "cut" your energy bill by up to 30%.



## Intelligent Savings

The CPVSD 10-20 series is managed by the ES4000 Advanced, an electronic control unit programmed for energy saving operation with intelligent shutdown. The ES4000 Advanced control can be programmed to shutdown in accordance with your plant air demand and reduce long periods of unloaded operation, reducing power cost. The ES4000 Advanced control feature can save a customer hundreds of dollars per year.



The ES4000 Advanced constantly monitors compressor operation and notifies you—before a problem occurs!

### Features:

- Graphic Display
- Automatic Restart After Voltage Failure
- I/O Expandable
- Graphic Service Plan Indicator
- Remote Pressure Sensor Possible
- Real Time Trending
- Remote Visualization
- Master Control Capability
- Programmable daily and weekly schedule

## CPVSD

Model	CPVSD (D)-10	CPVSD (D)-15	CPVSD (D)-20
Horsepower	10	15	20
Min-Max acfm @ 100 psig	9-43	9-64	9-78
Sound Level (dBA)	64	64	65
Base Mount L x W x H (in)	40 x 26 x 42	40 x 26 x 42	40 x 26 x 42
Net Wt. (lb)	518	553	560
Base Mount w/Dryer L x W x H (in)	56 x 26 x 42	56 x 26 x 42	56 x 26 x 42
Net Wt. (lb)	620	659	699
Tank Mount L x W x H (in)	77 x 26 x 66	77 x 26 x 66	77 x 26 x 66
Net Wt. (lb)	884	919	926
Tank Mount w/Dryer L x W x H (in)	77 x 26 x 67	77 x 26 x 67	77 x 26 x 67
Net Wt. (lb)	986	1025	1065

CPVSD pressure can be set between 73 and 182 psig.

## Options

- **Food Grade Oil** for food & beverage applications
- **Super Silencing Baffle** option available on field kit: extra -2 dB(A)
- **Water Separator w/ Float Drain** (std for CPVSD D)
- **ECOntrol 6i Central Control**



## The CP Compressor Guarantee

Chicago Pneumatic (CP) is dedicated to providing high quality, reliable equipment that has stood the test of time as one of the most rugged compressors in the market. Our compressors are 100% factory tested, and we stand behind our products with one of the most competitive warranties in the industry!

- |                              |  |
|------------------------------|--|
| • All rotary screw           | 1 Year with option to extend to 5 Years* |
| • Two-stage reciprocating**  | 2 Years                                  |
| • Single-stage reciprocating | 1 Year                                   |

\*Screw compressors are supported by our CP Secure 1-Year Warranty with the option to extend to a full 5-year warranty (authorized start-up required and regular maintenance with factory authorized fluids and parts).

\*\*Excluding Two-stage Gasoline Drive Contractor Series which are covered for 1 year.

CP compressors are supported by a network of trained service technicians who can provide complete warranty support, spare parts and technical consultation. For more information on our products, please contact your CP territory sales manager or a local authorized CP distributor.