



Digital Timer Drain

Electric Operated Condensate Drain with Digital Timer Module

dDVT720 Series

A new drain with a digital timer interface for programming a wide range of exact open and close valve settings.



Features

Compact size, light weight

Test button

Adjustable valve open times and close times

LED display with backlight

Available with optional valve sizes

Available with optional valve guard/strainer

Benefits

Can be installed directly onto drain points on filters, separators, dryers and air receivers

Quick check of drain operation

Adjustment of both; drain frequency and length of drain cycle

Easy to read even in dark environments

Can be used on wide range of applications

Helps to prevent clogging

Specifications

Inlet/Outlet: 1/4" NPT / 3/8" NPT / 1/2" NPT
Valve Open Times: 0.5 - 99 seconds
Valve Closed Times: 0.5 minutes to 60 minutes
Pressure: 250 PSI – 300 PSI
Power: 110 V; 3 prong grounded plug with 6' cord.
Weight: 1 lb.
IP65 Protection Class



Ordering Information

Stock No.	Description
dDVT720	Timer Module Only
dDV720-66	Timer with 1/4" Valve
dDV720-22	Timer with 1/4" Valve
dDV720-23	Timer with 3/8" Valve
dDV720-24	Timer with 1/2" Valve
YS61214	Valve Guard/Strainer for 1/4" Valve
YS61238	Valve Guard/Strainer for 3/8" Valve
YS61212	Valve Guard/Strainer for 1/2" Valve

How It Works

The new dDVT720 drain incorporates a digital timer designed with an easy to read LED display with backlight, ON and OFF buttons for accurate programming, indicator lights to show valve open and valved closed program status, and a compact durable housing.

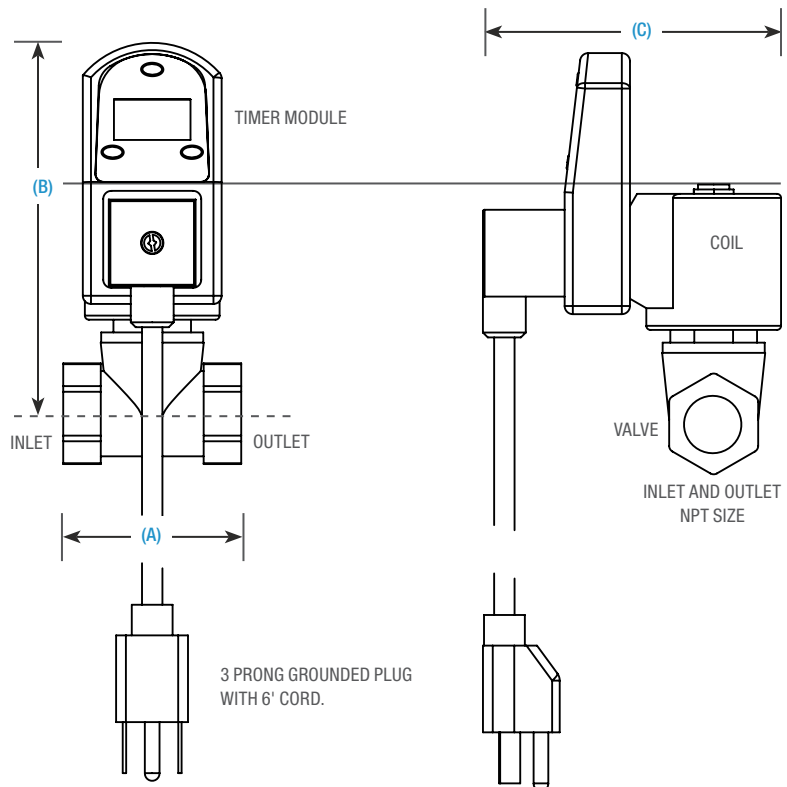
The digital timer included with the new dDVT720 drain is equipped with a wide range of adjustable open and closed drain valve settings that enable programming of the timer from 0.5 to 99 seconds for valve open and 0.5 minute to 60 minutes for valve closed times.

The new dDVT720 drain contains the same high quality diaphragm style valve as the original DVT720 but with digital interface for programming exact open and close valve settings.

Dimensions

(A)	(B)	(C)
1.4"	3.8"	3.4"
2.2"	4.9"	3.9"
2.2"	4.9"	3.9"
2.2"	4.9"	3.9"

See (A), (B), (C) Dimensions in illustration below



AIRTEC GLOBAL LLC
 1100 NW Loop 410 Ste. 764
 San Antonio, TX 78213
 Phone: (210) 366-8805
 Email: support@airtec.global
<http://airtec.global>